

SHARP

4T-C55EJ2X

LED BACKLIGHT TV

OPERATION MANUAL



HDMI™ **LED** **DVB-T2** **Dolby Audio**

Dear SHARP customer

Thank you for your purchase of the SHARP LED colour TV product. To ensure safety and many years of trouble-free operation of your product, please read the Important Safety Precautions carefully before using this product.

Contents

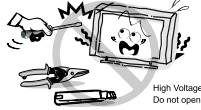
Important Safety Instructions and Maintenance	2
Mounting and Connecting	4
Packing list.....	4
Mounting the TV set.....	4
Connecting peripheral equipment.....	5
Panel Control Keys	6
Remote Control	7
Basic Operations	8
Turning on/Standby.....	8
Signal source selection.....	8
Menu operation description.....	9
Smart TV.....	9
OSD Language setting.....	9
Channel scanning	9
REC option.....	9
Time shift option.....	9
App.....	10
Network settings	10
Wake On Lan / Wake On Wlan	10
Important statement on network services	10
Multimedia player.....	10
Troubleshooting	11
Technical Specifications	12
Base Installation Instructions	13
Use of a TV wall mounting	13

Important Safety Instructions and Maintenance

Important Safety Instructions

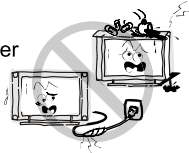
⚠ CAUTION

Risk of electronic shock, do not open. Do not attempt to service this product yourself as opening or removing covers may expose you to dangerous voltage or other hazards. Refer all servicing to qualified service personnel.



If the following problems occur:

Turn off the TV set and unplug the AC power cord immediately if any of the following problems occur. Ask your dealer or service centre to have it checked by qualified service personnel



When:

- AC power cord is damaged.
- Poor fitting of AC power outlet.
- TV set is damaged by being dropped, hit or having something thrown at it.
- Any liquid or solid object falls through openings in the cabinet.

To reduce the risk of fire or electric shock, do not expose this product to rain or moisture. The apparatus shall not be exposed to dripping or splashing and no objects filled with liquids, such as vases, shall be placed on the apparatus.



The screen and cabinet get warm when the TV is in use. This is not a malfunction. In case of smoke, strange noise or strange smell from the unit:



- Turn off the power switch immediately;
- Disconnect the power plug from the power outlet;
- Contact your dealer or service centre. Never attempt to make repairs yourself because this could be dangerous.

Never push objects of any kind into the set through the cabinet slots as they may touch dangerous voltage points or short-circuit parts that could result in a fire or electric shock. Never spill liquid of any kind on the set. Use special caution in households where children are present. The apparatus is not suitable for children under 3-year to operate.



Do not overload wall outlets, extension cords or adaptors beyond their capacity, this can result in fire or electrical shock. Power-supply cords should be routed so that they are not likely to be walked on or pinched by items placed upon or against them, paying particular attention to cords at plug end, adaptors and the point where they exit from the appliance.

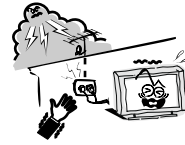


The mains plug is used as the disconnect device. It shall remain readily accessible and should not be obstructed during intended use. Make sure to plug the power cord in until it is firmly inserted.

When removing the power cord, make sure to hold the power plug when pulling the plug from the outlet, do not pull the plug out by the wire. NEVER touch the plug or power cord with wet hands.

To disconnect the apparatus from the mains power, the plug must be pulled out from the mains socket, therefore make sure the mains plug is always easily accessible.

Important Safety Instructions



An outside antenna system should not be located in the vicinity of overhead power lines or other electric light or power circuits, or where it can fall into such power lines or circuits. When installing an outside antenna system, extreme care should be taken to keep from touching such power lines or circuits as contact with them might be fatal. Ensuring the television is not overhanging the edge of the supporting furniture.

When not in use

If you will not be using the TV set for several days, the TV set should be disconnected from the AC mains for environmental and safety reasons. As the TV set is not disconnected from the AC power when the TV is turned off at the standby switch, pull the plug from the AC power outlet to disconnect the TV completely. However, some TV sets may have features that require the TV set to be left in standby to function correctly. In the case of lightning, unplug the TV set from the outlet immediately. Never touch the antenna wire during lightning.



Do not pull the plug out by the wire; Never touch the plug with wet hands.



Excessive volume from earphones and headphones can cause hearing loss.

Important Safety Instructions and Maintenance

Installation



The ventilation should not be impeded by covering the ventilation opening with items, such as newspapers, tablecloths, curtains, etc. At least 10 cm space should be left around the apparatus for sufficient ventilation.



The product should be situated away from heat sources such as radiators, heat registers, stoves, or other products (including amplifiers) that produce heat. Place the apparatus in such a position that the screen is not exposed to direct sunlight. It is best to have soft indirect lighting while watching and avoid completely dark environments and reflection from the screen as these may cause eye fatigue. Keep the TV set away from any equipment emitting electromagnetic radiation.

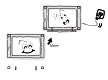
Installation



Do not place the set on an unstable cart, stand, table or shelf. The set may fall, causing serious personal injury as well as damage to the product. Use only with the cart, stand, tripod, bracket, or table specified by the manufacturer, or sold with the apparatus. An appliance and cart combinations should be moved with care. Quick stops, excessive force, and uneven surfaces may cause the appliance and cart combination to overturn.



Do not place this apparatus near water, for example, near a bath tub, wash bowl, kitchen sink, or laundry tub; in a wet basement; or a swimming pool; and the like;



When the TV being moved in from cold place, it needs some right time for dew inside unit evaporating fully before turn on the unit;



To prevent injury, this apparatus must be securely attached to the floor/wall in accordance with the installation instructions.

Cleaning



Cleaning and handling the screen surface and cabinet. Disconnect the unit from the AC outlet before cleaning. To remove dust, wipe gently with a soft, lint free cloth. If required use a slightly damp cloth.



The terms HDMI, HDMI High-Definition Multimedia Interface, and the HDMI Logo are trademarks or registered trademarks of HDMI Licensing Administrator, Inc.



Manufactured under license from Dolby Laboratories. Dolby, Dolby Audio, and the double-D symbol are trademarks of Dolby Laboratories Licensing Corporation.

Mounting and Connecting

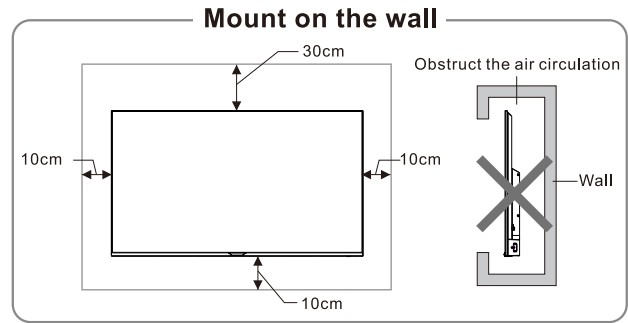
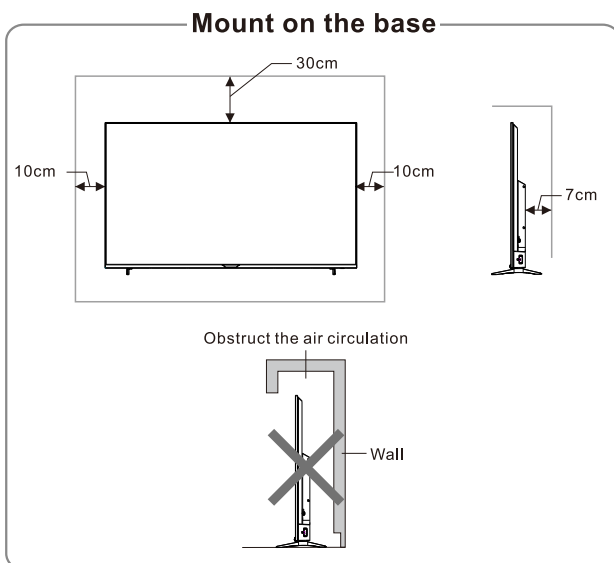
Packing list

1. The TV set.
2. User Manual.
3. Remote control.
4. Power cord (or attached to TV set).

Mounting the TV set

Tips on Installation

- The TV set should be mounted near the AC power socket for easy plugging and unplugging.
- For your safety, please select appropriate wall mount bracket or base.
- To avoid hurt, it is required to place the TV set on stable plane, or fix on firm wall.
- Ask qualified personnel to mount the TV set on the wall. Improper mounting may result in instable TV set.
- Do not place the TV set at any place susceptible to mechanical vibration.
- Do not place the TV set at any place that insects may enter.
- Do not mount the TV set against air conditioner, or else the internal panel of the display may condense moisture and cause failure.
- Do not place the TV set at any place with strong magnetic field, or else it may be interfered with and damaged by electromagnetic wave.



Ventilation

- Please keep this space at least around the TV, as shown in the figure.
- Do not cover the air vents or insert any object into the enclosure.
- Do not put the device in limited space, e.g. bookcase or embedded closet, unless the TV set is properly ventilated.



Warning

Never place a television set in an unstable location. A television set may fall, causing serious personal injury or death. Many injuries, particularly to children, can be avoided by taking simple precautions such as:

- Using cabinets or stands recommended by the manufacturer of the television set.
- Only using furniture that can safely support the television set.
- Ensuring the television set is not overhanging the edge of the supporting furniture.
- Not placing the television set on tall furniture (for example, cupboards or bookcases) without anchoring both the furniture and the television set to a suitable support.
- Not placing the television set on cloth or other materials that may be located between the television set and supporting furniture.
- Educating children about the dangers of climbing on furniture to reach the television set or its controls.

If your existing television set is being retained and relocated, the same considerations as above should be applied.

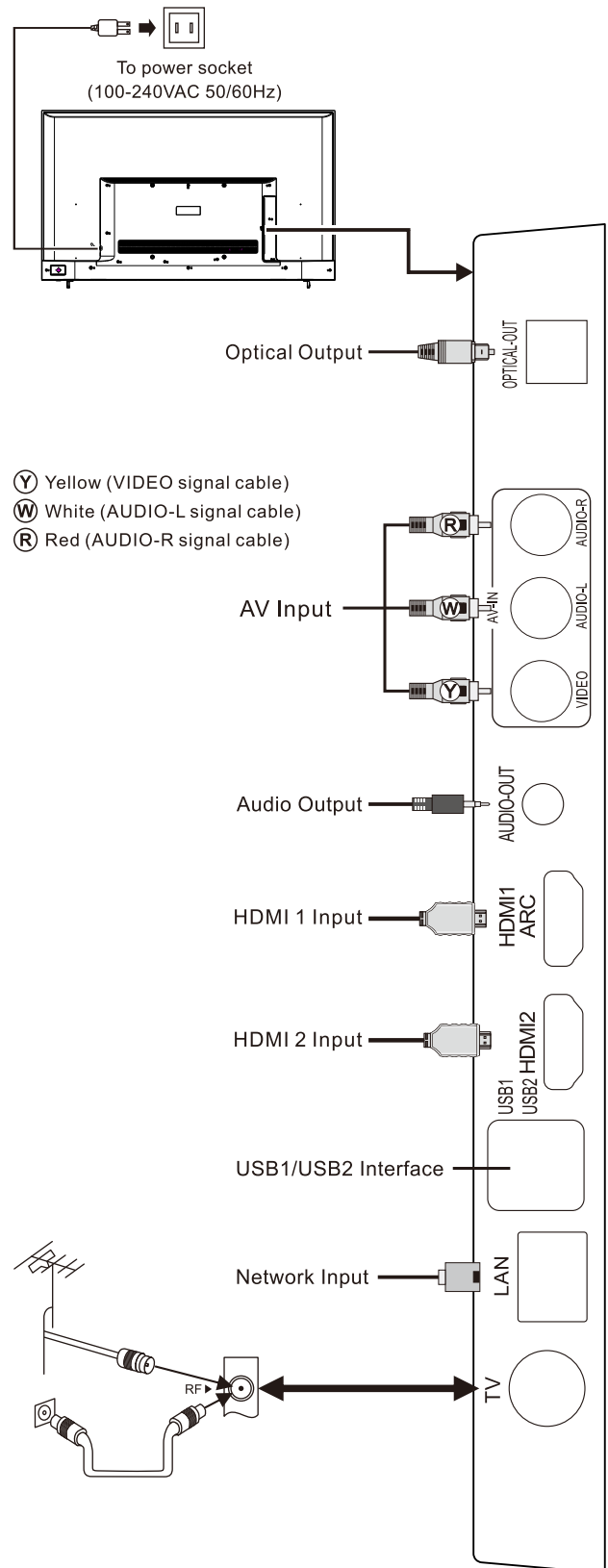
Connecting peripheral equipment

Remark:

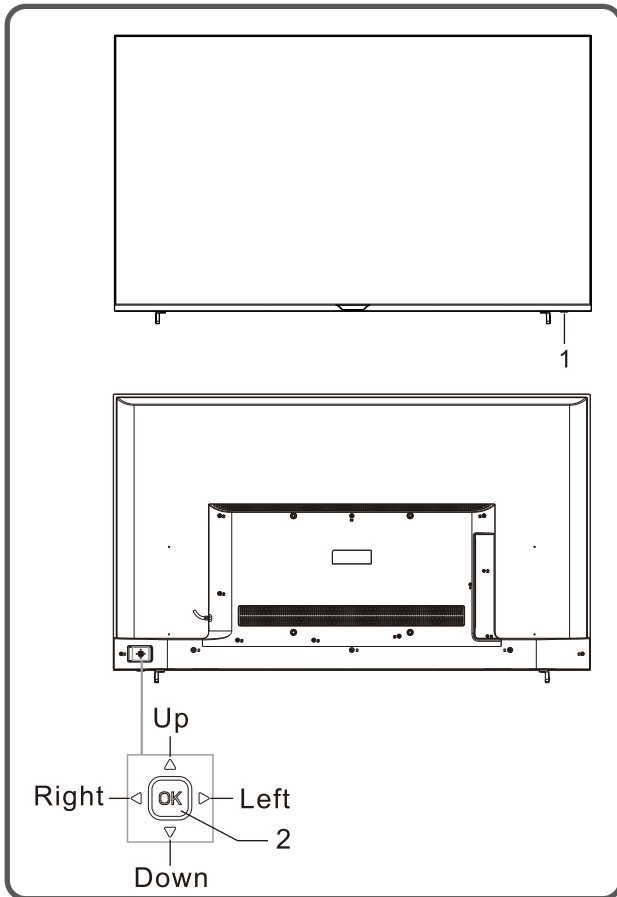
1. USB interfaces support peripheral equipment, including USB mass storage device, USB mouse, keyboard, etc.
2. When you need to connect the device which support the ARC function, please select the HDMI-1 interface.
3. HDMI connector can realize DVI connector function with external HDMI/DVI commutator.
4. The peripheral equipment and cables described in this manual should be purchased separately.

Warning

When connecting outdoor antenna to signal port of the TV set, please turn off the main power switch of the TV set first. Do not approach the outdoor antenna to high voltage mains power line to avoid electric shock. The wired network antenna connected to this TV set must be isolated from the protective grounding, or else it will cause fire or other hazards.




Panel Control Keys



1. Power LED indicator and remote receiving window.
2. Rocker button combination key:

Power on or standby with **OK** rocker:

- ①. When Plugged power cord into the electrical socket, you can press **OK** rocker to turn on the TV.
- ②. In power on state, long press **OK** rocker to display the function menu, then move rocker **Left/Right** to select  and press **OK** rocker to switch to standby mode.

After turn on the TV, Press **OK** Rocker:

- ①. In non-OSD menu operation, press **OK** rocker to display signal source. Long press **OK** rocker to display the function menu.
- ②. In OSD menu operation, press **OK** rocker to confirm the operation.

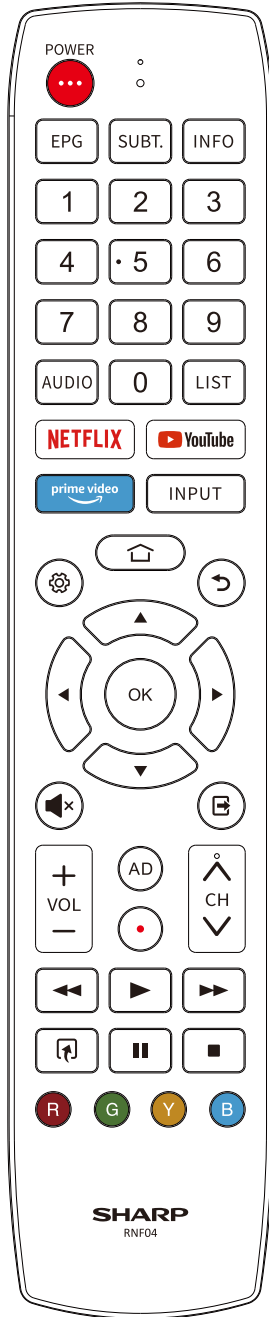
Move rocker **Up/Down/Left/Right**:

- ①. In TV mode, move rocker **Up/Down** to select the channel.
- ②. In non-OSD menu operation, Move rocker **Left/Right** to decrease/increase the volume.
- ③. In OSD menu operation, move rocker **Up/Down/Left/Right** to operate the menu.

Remark:

- ①. The appearance varies depending on the model, and the actual product shall prevail.
- ②. Please use the remote control for more operation.

Remote Control



Keys of the Remote Control

Note: The appearance of the remote control may be different from this diagram; please refer to the real object as standard.

Keys	Function
POWER (•••)	Switch between working and standby status.
Mute (🔇)	Turn on/off the sound.
Number keys	Select the channel or input numbers.
AD	Turn on/off the associated audio.
LIST	Show channel list.
NETFLIX	Open Netflix application.
YouTube	Open YouTube application.
prime video	Open Prime Video application.
Home (🏠)	Show home page.
INPUT	Show signal source menu.
◀, ▶, ▲, ▼	Select items or adjust values.
OK	Confirm the operation.
Return (↶)	Return to previous menu page.
Exit (🗑️)	Exit OSD menu or application.
VOL+/-	Turn up/down the volume.
⚙️	Show OSD menu.
CH ^/∨	Change program channel.
Red key	Special function keys.
Green key	
Yellow key	
Blue key	
AUDIO	Select audio language.
SUBT.	Open subtitle menu.
INFO	Show information bar.
EPG	Electronic program guide.
📺	Quick menu.
⏮	Fast backward.
⏭	Fast forward.
Record (•)	Start to record current program.
▶ (play)	Play function in multimedia.
⏸	Time shift key. (PAUSE)
■	STOP.

Method for Installation of Remote Control Battery

Remove the battery compartment cover and insert two AAA (No. 7, 1.5V) batteries; make sure the polarity of the batteries is in compliance with the polarity mark "+" and "-" in the battery compartment of the remote control.

Precautions for using the remote control

- The remote control should be pointed at the remote control sensor during operation. An object placed between the remote control and the remote control sensor may impede normal operation.
- The remote control should be prevented from strenuous vibration. Besides, please do not set or place the remote control under direct sunshine, as heating power may result in deformation of the remote control.
- Remote control failure may occur when the remote control sensor of the main unit is under direct sunshine or strong lighting; in this case, please change the angle of lighting or this TV set, or operate the remote control near the remote control sensor.
- Low battery will influence the remote control distance, in which case, the battery should be replaced with a new one. If the remote control is going to be idle for a long time or the battery runs out, please take the battery out to prevent the remote control from being corroded by battery leakage which may result in damage and failure of the remote control.
- Please do not use batteries of different types. It is not allowed to use old and new batteries together; the batteries should be replaced in pair.
- Please do not throw the batteries into fire or charge or decompose the batteries; do not charge, short-circuit, disassemble/assemble, heat or burn used batteries. Please dispose the waste batteries pursuant to relevant regulations on environmental protection.

Basic Operations

Remark:

1. The keys operation refers to remote control operation, for panel control keys operation please refer to "**Panel Control Keys**" operation explanation.
2. The [▶] key means direction key and the [▶](play) key means play function key
3. Menu Operation Instruction in this manual is explained according to TV mode. The operations in other modes are similar to the one in TV mode, and users can take it as reference.
4. Before power-on platform, please make sure that the power supply is stable.
5. The software of different countries is different. The specific software operation should be subject to the actual situation.
6. Because the product is constantly updated, the software is upgraded at any time, if the software operation is different from the actual operation, please refer to the actual product.

Turning on/Standby

Plug power cord into the electrical socket, then press [POWER] key to turn on the TV.

When you first use the TV, it goes into the initialization settings, and set it according to your needs.

In power on state, press [POWER] key to switch to standby mode.

★ **Special Tips:** This device adopts energy saving technology. If there is no signal input in power on state, it will enter standby state automatically in five minutes; The device will enter standby state automatically at specified sleep time.

Signal source selection

You can connect various devices to the TV set and view high quality images. If the video device has HDMI, AV and other video output ports, you can select one of them and connect to corresponding input ports of the TV set. After connected, turn on the device and press [INPUT] key, then menu of signal source will be displayed on the screen. Press [▲]/[▼] key to select the input signal, and press [OK] key to confirm.

Menu operation description

Press [⊗] key to show the main menu on the screen:

1. Press [▲]/[▼] key to select a menu from **Video, Audio, TV, Setup, Parental, About**.
2. Press [OK]/[▶] key to enter the submenu.
3. Press [▲]/[▼] key to select an item in the menu.
4. Press [OK] key to confirm.
5. Press [◀]/[▶] key or [▲]/[▼] key to adjust the value or setting.
6. Press [↶] key to return to previous menu when the TV displays the submenu.
7. During menu operation, the icons of invalid options will change into grey.

Note: The default password for the lock system is 0000.

Smart TV

Press [⌂] key to show the home page.

1. Press [◀]/[▶] key to select an application;
2. Press [OK] key to run the application;
3. Press [⊗] key to exit the smart mode.

Note: Before accessing the Internet, please connect your TV set to the Internet. Refer to "Network Settings" for details.

OSD Language setting

Press [⊗] key, select **Setup > OSD Language** and press [OK] key to enter. Press [▲]/[▼] key to select the desired language, and then press [OK] key.

Channel scanning

Scan the channels before watching the TV for the first time. Before scanning, please make sure that the antenna has been connected properly, and select the signal source as **ATV** or **DTV**.

ATV Scanning

After selecting **ATV** source, press [⊗] key, and Select **TV**, then press [OK] key to enter.

1. Select **Channel Scan**, and press [OK] key, then the machine starts auto scanning.

2. Select **Analog Manual Scan**, and set **Start Frequency (MHz)**. Select **Scan Up** or **Scan Down**, and press [OK] key to manually search for channels.

DTV Scanning

After selecting **DTV** source, press [⊗] key, and select **TV > Tuner Mode > DVBT/DVBC** according to your needs.

After select **DVBT**.

1. Select **TV > Channel Scan**, and press [OK] key, then the machine starts auto scanning.

2. Select **TV > Manual Scan > RF Channel**, and press [▶] key to enter. Select channel, then press [OK] key to manually search for channels.

After select **DVBC**.

1. Select **TV > Channel Scan**, and press [OK] key to enter. After setting **Scan Mode**, select **Scan**, then press [OK] key to search for channels.

2. Select **TV > Manual Scan**, and set **Frequency (KHz), Modulation, Symbol Rate (Ksym/s)**. Select **Scan**, then press [OK] key to manually search for channels.

REC option

In DTV mode, Press Record [●] key, then the system begins recording. Press [■] key to stop and quit recording.

Press [⊗] key, and select **Setup > Record Setting > Record List**, then press [OK] key to display the record files and play them.

While playing, press [◀]/[▶]/[▶](play)/[■]/[■] key to handle.

Note: The recording function can only support memorizer with FAT32 file system. Memorizer with other file systems need to be formatted; Before formatting memorizer, back-up useful data because the content of memorizer can not recover after formatting.

Time shift option

When user leaves program for a short time, time-shift function can suspend and cache the playing program to U disk. When user resumes playing, the program can continue to be played.

In DTV mode, press [⊗] key, and select **Setup > Record Setting > Time Shifting Mode**, then press [OK] key to enter. Select **on**, and press [■] key, Time Shift option menu shows on the screen and the program is in suspended state. Press [▶](play) key to resume play program. Press [■] key to stop and quit time-shift.

While playing, press [◀]/[▶]/[▶](play) / [■]/[■] key to handle.

APP

Press [] key, then press []/[] key to select an application and press [OK] key to enter. As to Youtube, prime video, netrange and Netflix, you can press the [YouTube], [prime video] and [NETFLIX] keys to use them. In the standby mode, you can turn on the TV and use Netflix by pressing [NETFLIX] key on the remote control.

Network settings

Press [] key, then select **Setup > Network > Configuration > Interface**, select **Wireless** or **Ethernet**.

■ Wireless

1. After selecting **Wireless**, press [OK] key, then select **Wireless Setting > Scan**, and press [OK] key, then the wireless network signals are searched by your machine list automatically. The network searched without icon indicates that the machine connects to the network without a password. The network with icon indicates that it is encrypted and you must enter the correct password to connect to the network;
2. Select the network you want to connect to in the network list, and press [OK] key;
3. Type network connecting password in the box and exit keyboard, then select **Connect** and press [OK] key to connect to network.
4. If the network is hidden, select **Wireless Setting > Manual**, and press [OK] key to enter. Set the network name (**SSID**), and press [] key to enter. Select security mode, then enter the correct password to connect.
5. If you select **Wireless Setting > Auto**, then enter the **PIN** or **PBC** to automatically connect to the network.

■ Ethernet

1. After selecting **Ethernet**, press [OK] key, then select **IP Setting > Address Type > AUTO**, and your machine will connect to the Network automatically;
2. Select **Address Type > Manual**, and press []/[] key to select **IP Address**, **Subnet Mask**, **Default Gateway**, **Primary DNS** and **Secondary DNS** to set them. Then press [] key, your machine will connect to the Network automatically.

Wake On Lan / Wake On Wlan

It allows remote systems to wake up the sleeping TV by sending a frame of a specific format which the client anticipates. (It is available when network is connected.)

Press [] key, then select **Setup > Network > Configuration > Wake On Lan / Wake On Wlan**, and press [OK] key to enter. Press []/[] key to set it as "On" or "Off", and press [OK] key to confirm.

Important statement on network services

All contents and services obtained from this TV set belong to the third party and are protected by laws on copyright, patent right, trademark right and/or other intellectual property right. The said contents and services are only for your non-commercial purposes. It is not allowed to use any content or service without the authorization of the content owner or the service provider.

Our company will undertake no liability for any direct, indirect and accidental losses or damages caused by your or a third party's access to any content or service or any information or any third party software through this set under any circumstances.

Third party service may be changed, deleted or stopped without prior notice. Our company neither implies nor guarantees the continuous availability of some service or content within any period of time.

Our company is not held responsible for services related to the said service and content. Besides, we will not bear any liability for client service. Please directly contact relevant content and service providers if you have any problem and service request concerning relevant service or content.

Multimedia player

Press [] key, then press []/[]/[]/[] key to select **Media** and press [OK] key to enter. Select the file type from Photo (), Music (), Video ().

■ **Playing Files in local disk device:** Before playing files in the local disk, insert the USB mass storage device into the USB interface.

Select local disk device in the file directory and press [OK] key to enter. Select the target folder and press [OK] key to enter the folder. Then press []/[]/[]/[] to select the target file and press [](play) to play it. Press [] key to return to previous page.

Attention:

1. Nonstandard USB devices can't be recognized probably; in this case, please replace a standard USB device;
2. The stream media system has certain restriction on the format of files; the playing will be abnormal if it is out of the system restriction;
3. Do not remove the USB device while playing, or else the system or device may have problem; Before replace the USB device, please turn off the machine's power supply;
4. The system supports standard USB1.1 and USB2.0 devices, such as USB mass storage devices and removable hard disks;
5. The maximum output current of the USB port of this device is 500mA, and the self-protection will be enabled if it is beyond this limit; please use external power supply if an external device of higher current will be connected;
6. The system is complicated; when it is reading or playing files, the screen may be still or certain functions may be invalid due to the compatibility and stability of the USB device; in this case, please turn off the device and re-initialize the system.

While playing, press [OK] key to display or hide the toolbar. Press [◀◀]/[▶▶]/[▶](play)/[⏸]/[■] key on the remote control to operate.

Troubleshooting

- **Snowflake spots occur in the TV images and there is noise in accompanying sound.**
 1. Check if the antenna plug is loose or the cable is in good condition.
 2. Check the antenna type (VHF/UHF).
 3. Adjust the direction and position of the antenna.
 4. Try to use signal enhancer.
- **There is neither display nor sound on the screen. The indication light is not on.**

Check if the power line is connected.
- **Dotted line or strip disturbance occurs in TV images.**

Do not use electric hair dryer aside the TV set and adjust the antenna direction to reduce disturbance.
- **Double images occur on the TV screen.**
 1. Use high oriented antenna.
 2. Adjust the direction of the antenna.
- **The images are colorless.**

Enter "Video" setting to increase color saturation.
- **The TV has no accompanying sound.**
 1. Adjust the volume to a proper degree.
 2. Press [Mute] key on the remote control to cancel mute mode.
- **No signal input images show on the machine screen. The indicator light is blinking.**
 1. Check if the signal connecting cable is loose or falls off. Reconnect it.
 2. The machine may be in standby mode, please reboot.
- **The remote control distance is short or out of control.**
 1. Remove the object to avoid blocking the remote control receiving window.
 2. Replace the battery.
- **Online video play is very slow.**
 1. Please upgrade your network bandwidth to a higher one.
 2. Please try to replace with other addresses to obtain better resources.
- **Machine is slow, system crash, can't operate the machine.**

Disconnect the power supply first, and connect the power supply after about 1-2 minutes, then turn on the TV again.

Technical Specifications

Master unit

Max. Resolution	3840×2160
Power Supply	100V-240VAC 50/60Hz
Power Consumption of Speaker	8W+8W
Operating environment:	
Temperature	5°C~40°C
RH	20%~80%
Atmospheric pressure	86kPa~106kPa
Storage environment:	
Temperature	-20°C~55°C
RH	20%~80%
Atmospheric pressure	86kPa~106kPa

Dimension (L×W×H) and Weight

55"

Excluding base	Unpacking: 1228×77×711(mm ³)
Including base	Unpacking: 1228×243×742(mm ³)
	Packing: 1346×124×806(mm ³)
	Net Weight: 12.7kg
	Gross Weight: 17kg

Technical specifications for TV

- Supported Systems:
 - ATV:** PAL D/K, I, B/G, SECAM D/K, B/G;
 - DTV:** DVB-T/C (DVB-T2 option).
- TV(RF): 75Ω Imbalance.
- AV Video-Input: 75Ω, 1±0.1Vp-p, RCA.
- AV Audio-Input: 20KΩ, 0.2~2Vrms.
- HDMI Video Input: 480i, 480p, 576i, 576p, 720p, 1080i, 1080p, 2160p.
- Specific internal memory capacity in accordance with actual configuration.
- Specific cache capacity in accordance with actual configuration.
- Wireless connection: Wi-Fi (IEEE 802.11 b/g/n).
- Intelligent operating system: Linux.

Power management

Mode	Power Consumption
	55"
Normal working	≤130W
Standby	≤0.5W

Note: If you turn on **Wake On Lan / Wake On Wlan** function, the maximum power consumption of the machine in standby mode does not exceed 1W.

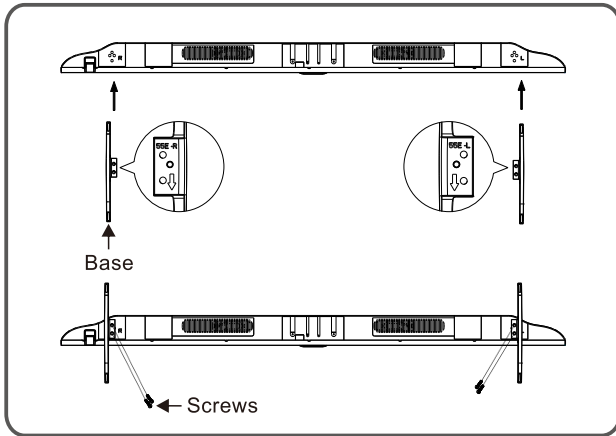
HDMI display mode

Video mode			
NO.	Mode	Resolution	Refresh rate
1	SD	720×480i/p	60Hz
2		720×576i/p	50Hz
3	HD	1280×720p	50Hz
4			60Hz
5	FHD	1920×1080i/p	50Hz
6			60Hz
7	UHD	3840×2160p	24Hz
8			25Hz
9			30Hz
10			50Hz
11			60Hz

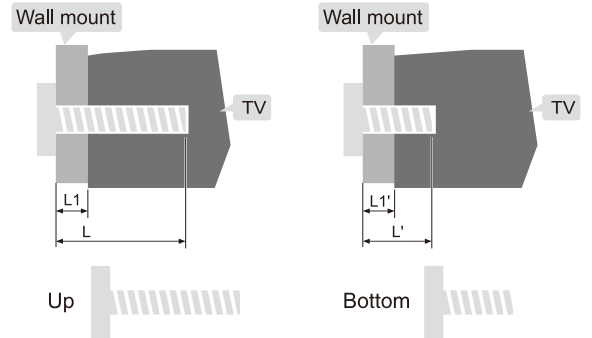
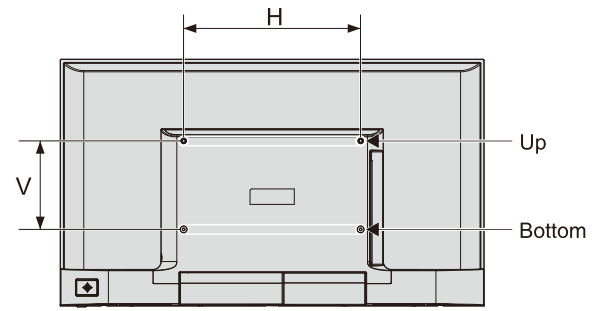
Remark: Under UHD mode, 50Hz and 60Hz refresh rate is effective only under HDMI version 2.0.

Base Installation Instructions

Put the machine flat first, distinguish left and right base and base installation front and back direction, then install the bases in the bottom of the machine back cover as arrow direction in figure. Align screw holes, then fasten screws (notice that base module has to be adjusted at figure status, otherwise it cannot be installed in.)



Remark: The actual base and machine appearance may be different from pictures; please refer to the actual device.



L1: Thickness of wall mount L1': Thickness of wall mount

Distance between holes on the wall(H×V)(mm)	Required screws (recommended bolt length)(mm)
300 x 300	Up: 2 x M6 (28+L1≤L≤30+L1), Machine screws Bottom: 2 x ST6 (6+L1'≤L'≤9.5+L1'), Flat tail self-tapping screws

Note:

- If any screws are found in the screw hole for wall mount behind the TV set before installing the wall mount, the screws shall be removed and put in place for later use.
- Please buy the wall screws according to the actual situation.

Use of a TV wall mounting

⚠ Warning

- Please purchase a suitable TV wall mount when mounting your TV on the wall.
- Ensure that the bearing capacity of the wall for mount installation is no less than 4 times the weight of the TV set and the wall mount so as to avoid falling.
- Please refer to the instructions provided with the TV set and wall mount for installation.
- Make sure there is no cable or conduit in the wall section where a wall mount will be installed.
- Please entrust a professional technician to complete installation. The company shall not be liable for accidents, personal injury or damage caused by improper installation of TV set.

SHARP
SHARP CORPORATION