

# SHARP®

## FP-JM40E

## FP-JM40L

## FP-JM40P

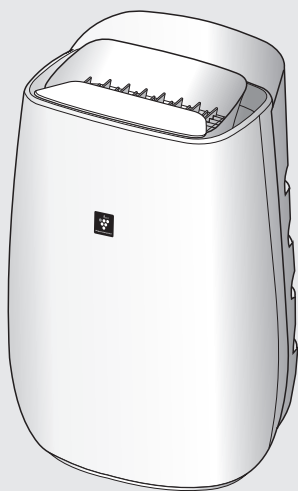
## FP-JM40V

## FP-JM40M



HIGH-DENSITY 7000\*

“Plasmacluster” and “Device of a cluster of grapes” are registered trademarks of Sharp Corporation in Japan, Philippines and elsewhere.



\*The number in this technology mark indicates an approximate number of ions supplied into air of 1 cm<sup>3</sup>, which is measured around the center of a room applicable floor area (at 1.2 m height above the floor) when the product is placed close to a wall at the MED mode setting.

AIR PURIFIER  
WITH MOSQUITO CATCHER  
OPERATION MANUAL

PEMBERSIH UDARA  
dengan fungsi Pemerangkap  
Nyamuk  
BUKU PANDUAN OPERASI

HƯỚNG DẪN SỬ DỤNG MÁY  
LỌC KHÔNG KHÍ CỎ CÔNG  
CỤ BẮT MUỖI

捕蚊空气净化器  
操作手册

ENGLISH

MALAYSIA

TIẾNG VIỆT

中文

## Please read before operating your new Air Purifier

The air purifier draws in room air through the air intake, circulates it through a Pre-Filter, a Deodorizing Filter and a HEPA Filter inside the main unit, and then discharges it through the air outlet. The HEPA Filter can remove 99.97% of dust particles as small as 0.3 microns that pass through the filter and also helps absorb odors. The Deodorizing Filter gradually absorbs odors as they pass through the filter.

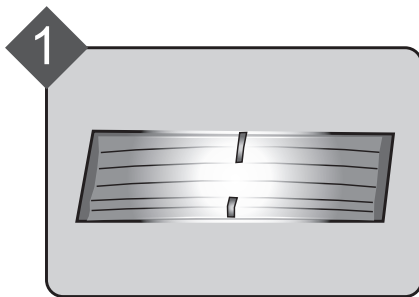
Some odors absorbed by the filters will break down over time, causing additional odors. Depending on usage conditions, and especially if the main unit is used in environments significantly more severe than a normal household, these odors may become noticeable sooner than expected. If these odors persist, replace the filters. (Page 12)

## FEATURES

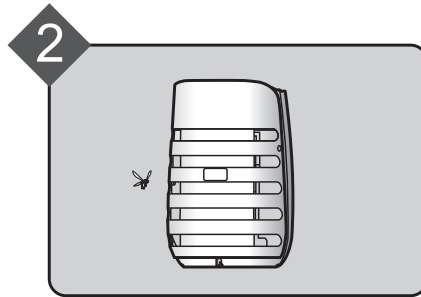
**Air Purifier with Mosquito Catcher protects your family's health by catching mosquitoes and cleaning the air by plasmacluster technology.**

**Catches mosquitoes with Insecticide-free material.**

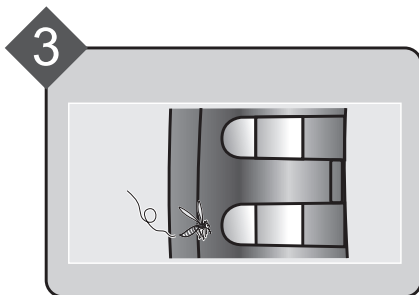
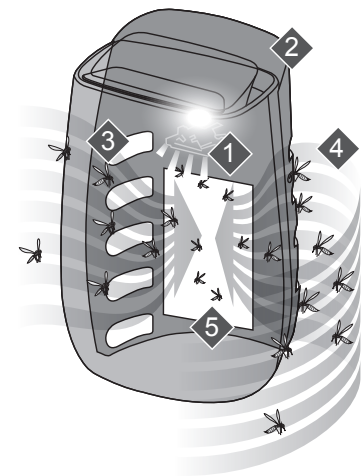
5 effective steps\*1 based on findings about mosquito habits, and by using air purifier function.



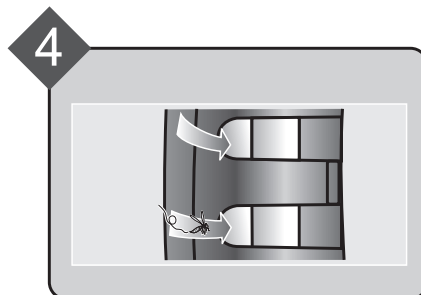
**UV Light attracts mosquitoes**



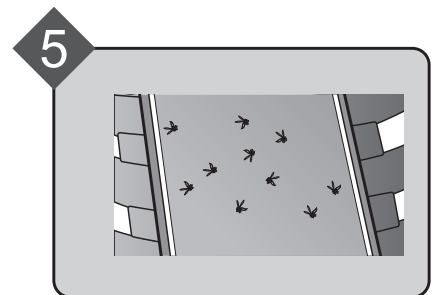
**Enticing 'Black' color**



**Ideal entrance design**



**Powerful airflow and suction**



**Strong Glue Sheet**

※ Mosquito catcher mode may not catch all the mosquitoes in the room.

\*1: In collaboration with Institute for Medical Research, Malaysia.

## High density Plasmacluster 7000

Plasmacluster treats the air similar to the way nature cleans the environment by emitting a balance of positive and negative ions.

## Filtration System

Traps Dust\*<sup>2</sup>

Pre-Filter traps dust and other large airborne particles.

Decreases Odors

Deodorizing Filter absorbs many common household odors.

Reduces Pollen & Mold\*<sup>2</sup>

HEPA Filter traps 99.97% of particles as small as 0.3 microns.

\*<sup>2</sup>When air is drawn through the filter system.

## Convenient HAZE operation when the HAZE is present

HAZE mode enables fast removal of HAZE with high air volume.



## Quiet operation while capture the mosquitoes at the time of sleep

When you switch to SLEEP mode, it operates quietly with the Plasmacluster Ion Light and the Cleanliness Monitor light off and the UV Light less bright, while mosquito catcher function is still on.



## CONTENTS

IMPORTANT SAFETY INSTRUCTIONS .....	EN-2
PART NAMES .....	EN-4
FILTER AND GLUE SHEET INSTALLATION .....	EN-6
OPERATION .....	EN-8
CARE AND MAINTENANCE .....	EN-10
REPLACEMENT .....	EN-12
TROUBLESHOOTING .....	EN-14
SPECIFICATIONS .....	EN-15

---

Thank you for purchasing the SHARP Air Purifier. Please read this manual carefully. Before using this product, be sure to read the section: "Important Safety Instructions." After reading this manual, keep it in a convenient location for future reference. For your reference, we recommend to keep this manual in the place where you can read at any time.

# IMPORTANT SAFETY INSTRUCTIONS

Always follow **basic safety precautions** when using electrical appliances, including the following:

**WARNING** – Always observe the following to reduce the risk of electrical shock, fire, or injury:

- Read all instructions before using the main unit.
- Use only a 220-240 volt outlet.
- **This appliance is not intended for use by persons (including children) with reduced physical, sensory or mental capabilities, or lack of experience and knowledge, unless they have been given supervision or instruction concerning use of the appliance by a person responsible for their safety. Children should be supervised to ensure they do not play with the appliance.**
- **If the power cord is damaged, it must be replaced by the manufacturer, its service agent, a Sharp authorized Service Center or similarly qualified persons in order to avoid a hazard. Contact the nearest Service Center for any problems, adjustments, or repairs.**
- **Be sure to remove the power plug, before performing maintenance, when removing and attaching and replacing the filter and when not using for a long time. Failure to do so can cause a short circuit resulting in electrical shock or fire.**
- Do not use the main unit if the power cord or plug is damaged or if the connection to the wall outlet is loose.
- Periodically remove dust from the plug.
- Do not insert fingers or foreign objects into the air intake or air outlet.
- When removing the power plug, always hold the plug and never pull on the cord. Failure to do so can cause a short circuit resulting in electrical shock or fire.
- Be careful not to damage the power cord, it may cause electric shock, excess heat or fires.
- Do not remove the plug when your hands are wet.

- Do not place the main unit near or on hot objects, such as stoves or heaters, or where it may come into contact with steam.
- Do not operate the main unit in rooms where aerosol insecticides are present. Do not operate the main unit in rooms where there is oily residue, incense, sparks from lit cigarettes, or chemical fumes in the air. Do not operate the main unit in places where it may get wet, such as a bathroom.
- Be cautious when cleaning the main unit. Strong corrosive cleansers can damage the exterior.
- Do not expose the main unit to water. Doing so can cause a short circuit or electrical shock.

**NOTE** – What to do if the main unit interferes with radio or TV reception

If the air purifier interferes with radio or television reception, try one or more of the following measures:

- Adjust or reposition the receiving antenna.
- Increase the distance between the main unit and the radio or TV.
- Connect the equipment into an outlet on a circuit different from that of the radio or TV receiver.
- Consult the dealer or a qualified radio or TV technician.

## CAUTIONS CONCERNING OPERATION

- Do not block the air intake or air outlet.
- Always operate the main unit in an upright position.
- Do not move the main unit when it is in operation.
- When moving the main unit, use the handles on both sides.
- If the main unit is on easily damaged flooring, an uneven surface, or thick-piled carpet, lift it up when moving.
- Do not operate the main unit without the filters properly installed.
- Do not wash and reuse the HEPA Filter and the Deodorizing Filter.  
Doing so will not improve filter performance and can also cause electric shock or operating malfunctions.
- Clean the exterior with a soft cloth only. Do not use volatile fluids or detergents. The main unit surface may be damaged or cracked with Benzine, paint thinner or polishing powder. In addition, the sensors may malfunction as a result.
- Do not scrub the Pre-Filter hard during its maintenance.
- Do not look directly into the UV Light. UV Light meet the standards of IEC (62471).

## CAUTIONS CONCERNING GLUE SHEET

- Handle the Glue Sheet with care. Avoid children or pet from touching the sticky surface.
- If the glue material adheres to hands or clothing, wash them quickly and carefully with soap and water after removing the material by using cooking oil.
- Dust and dirt collecting on the sheet may reduce the effectiveness of Glue Sheet.
- If no mosquitoes are collected on the sheet, try changing the location of the main unit.
- When disposal, dispose it according to the local disposal laws and regulations.
- This is a completely safe adhesive type product. No toxic ingredients.

## INSTALLATION GUIDELINES

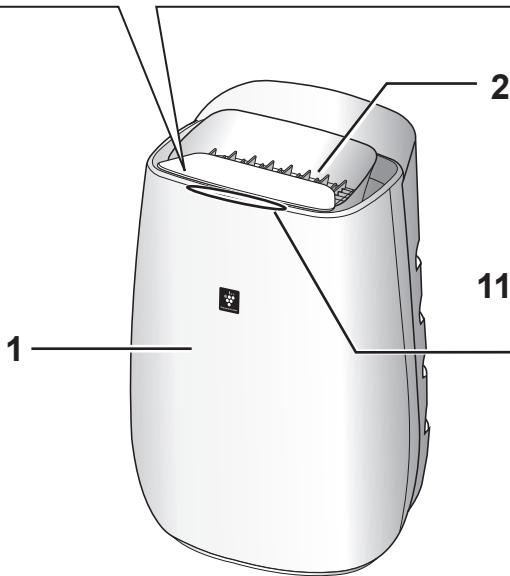
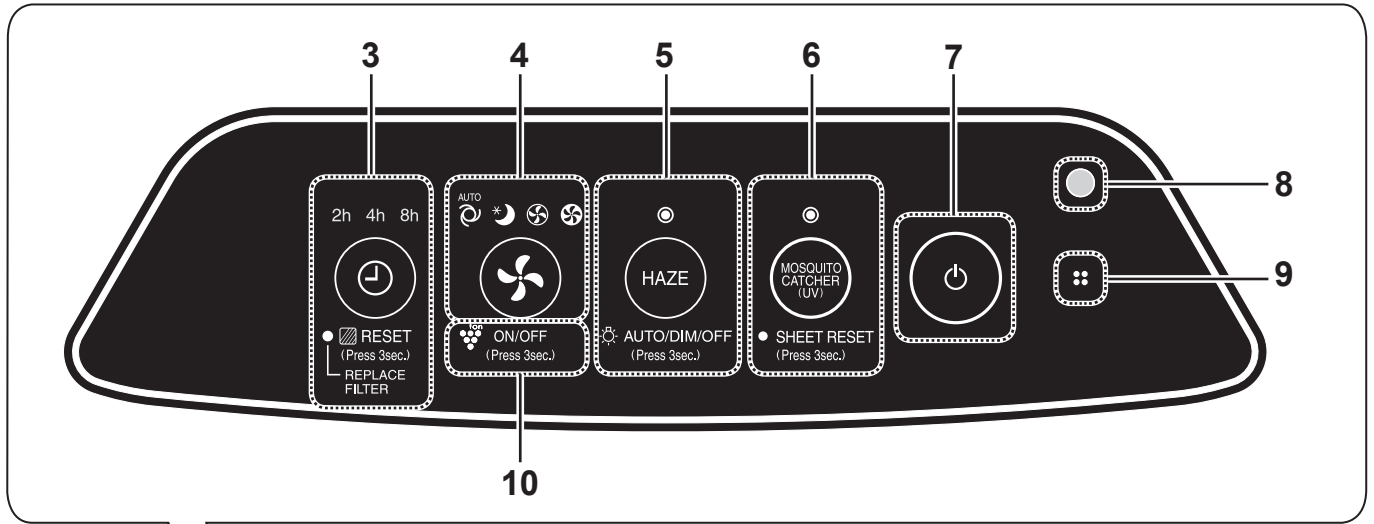
- Avoid locations where the sensors are exposed to direct wind.  
Doing so can cause the main unit to malfunction.
- Avoid locations where furniture, fabrics, or other objects can come in contact with the main unit and interfere with the intake and outtake of air.
- Avoid locations where the main unit is exposed to condensation or drastic changes in temperature. Appropriate room temperature is between 0 – 35 °C.
- Place the main unit on a level and stable surface with sufficient air circulation. When placed on heavy carpet, the main unit may vibrate slightly.
- Avoid locations that generate grease or oily smoke.  
Doing so can cause the main unit exterior to crack and the sensors to malfunction.
- The dust collecting ability of the main unit is effective even when the main unit is as close to 3 cm from the wall, the surrounding walls and floor may get dirty. Please place the main unit at a distance from the wall. The wall directly behind the air outlet may become dirty over time. When using the main unit for an extended period of time at the same location, periodically clean the walls adjacent to it.

## FILTER GUIDELINES

- Follow the instructions in this manual for proper filter care and maintenance.

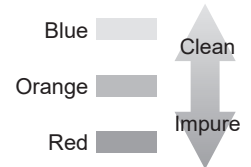
# PART NAMES

## FRONT

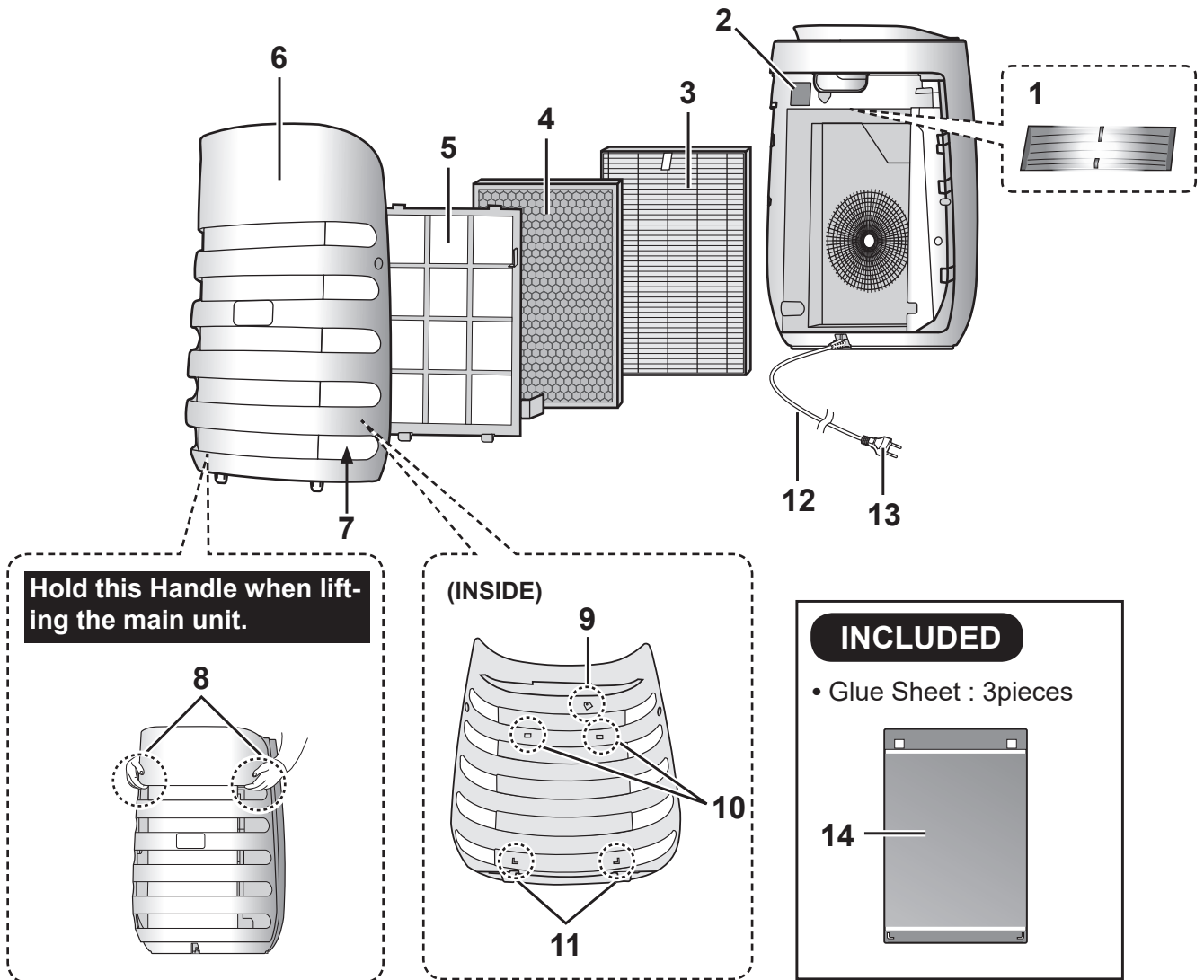


### Cleanliness Monitor

Indicates the air purity of the room in 3 levels with color changes.



1	Main Unit
2	Air Outlet
3	OFF TIMER Button, Light (white) (Press 3 sec.) Filter Reset Button, REPLACE FILTER Light (orange)
4	MODE Button, Light (white) (Press 3 sec.) Plasmacluster Ion ON/OFF Button
5	HAZE Button, Light (white) (Press 3 sec.) Light Control Button
6	MOSQUITO CATCHER Button, Light (white) (Press 3 sec.) SHEET RESET Button , Light (orange)
7	POWER ON/OFF Button
8	Light Sensor
9	Odor Sensor
10	Plasmacluster Ion Light (blue)
11	Cleanliness Monitor



**INCLUDED**

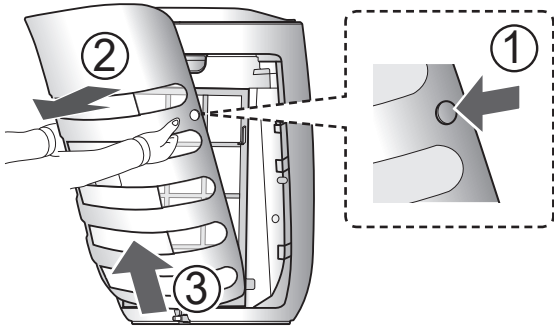
- Glue Sheet : 3pieces

1	UV Light
2	Dust sensor / Dust sensor Filter
3	HEPA Filter
4	Deodorizing Filter
5	Pre-Filter
6	Catch Panel
7	Air Inlet
8	Handles
9	Magnet
10	Upper Hooks
11	Bottom Hooks
12	Power Cord
13	Power Plug (Shape of plug depends on country.)
14	Glue Sheet

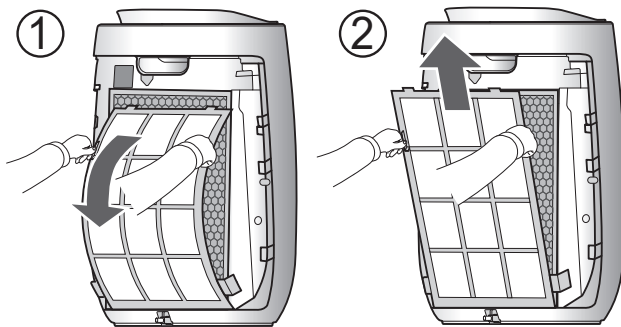
# FILTER AND GLUE SHEET INSTALLATION

To maintain the quality of the filter and Glue Sheet, it is installed in the main unit and packed in plastic bag. Be sure to remove the filter and Glue Sheet from the plastic bag before using the main unit.

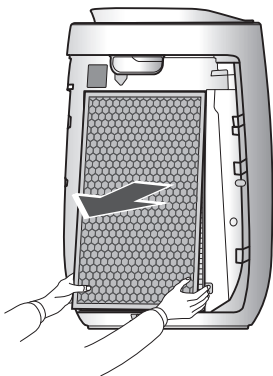
## 1 Remove the Catch Panel.



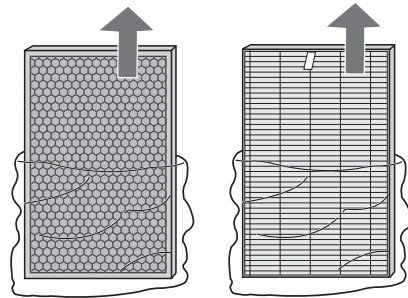
## 2 Hold the tabs of Pre-Filter and remove it.



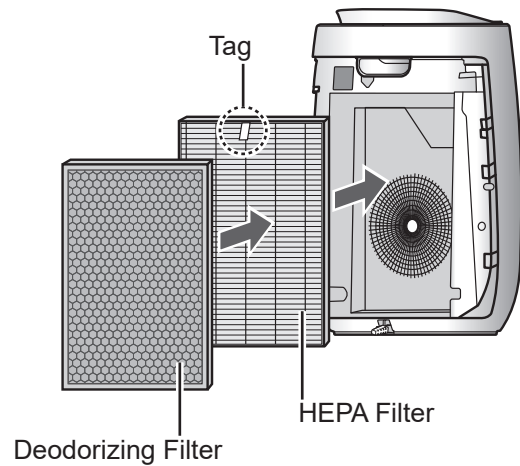
## 3 Remove the filter.



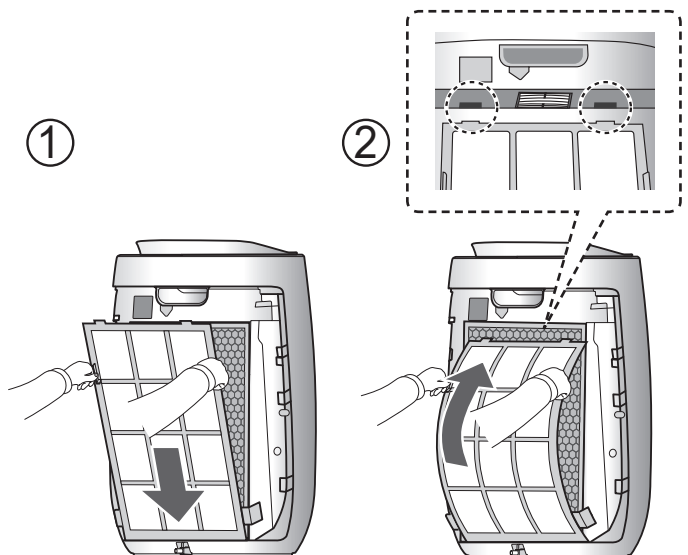
## 4 Remove the filter from plastic bag.



## 5 Place the filter within the main unit. Do not install the filter backwards or the main unit will not operate properly.



## 6 Hold the tabs of Pre-Filter, and Install it.

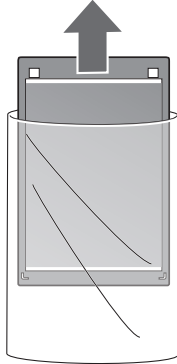




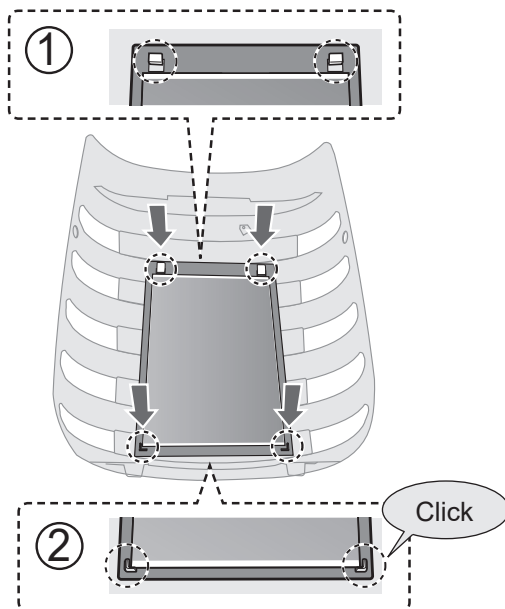


Be sure to remove the power plug from the wall outlet.

- 7** Remove the Glue Sheet from the plastic bag.
- Keep the additional Glue Sheet away from direct sunlight and lay it flat with glue side face up.

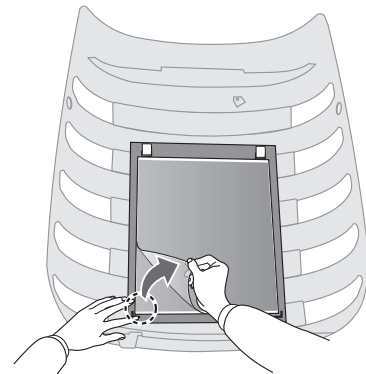


- 8**
- ① Hang the Glue Sheet on Upper hook of the inner side of the Catch Panel.
  - ② Insert it into Bottom hook.

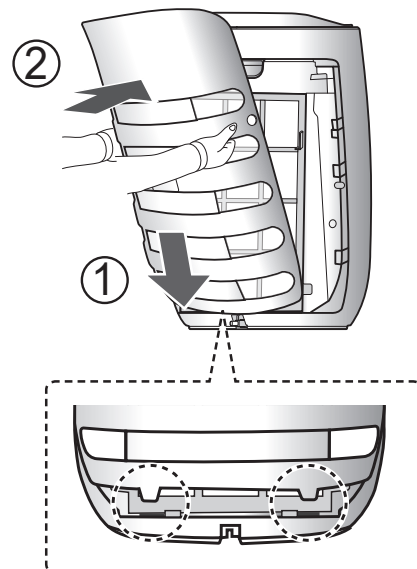


- 9** Remove the protective film slowly from the corner of Glue Sheet.
- Dispose protective film as burnable rubbish.
  - Make sure that its bottom part is properly inserted to the Bottom Hooks.

Be careful not to stick the Glue Sheet to hair or clothes.



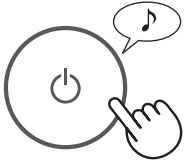
- 10** Attach Catch Panel from under part.



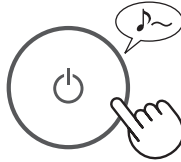
# OPERATION

## START / STOP

### START



### STOP



- When the main unit starts operation, the operation starts in the previous mode it was operated in.

## HAZE

The main unit operates at HIGH fan speed for 60 minutes and then alternates between Low and High level for 20 minutes each.



10 minutes: Max High fan level
50 minutes: High fan level
20 minutes: Low fan level
20 minutes: High fan level

### NOTE

- The Plasmacluster Ion can not be turned "OFF".
- It is possible to switch this mode to another while operating. However, the HAZE mode will not function after switching mode.

## FAN SPEED



### NOTE


**AUTO** 

The fan speed is automatically controlled depending on the 3 detection. (Dust /Odor /Light)

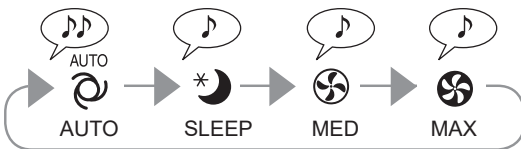
**SLEEP** 

The main unit will operate very quietly, and the fan speed is automatically switched depending on the amount of impurities in the air and room brightness.

Cleanliness Monitor/Plasmacluster Ion Light go off and the UV Light becomes dark automatically.

Even though the indicator is off, Plasmacluster Ion is dispersed into air unless Plasmacluster Ion is turned off by .

 ON/OFF  
(Press 3sec.)

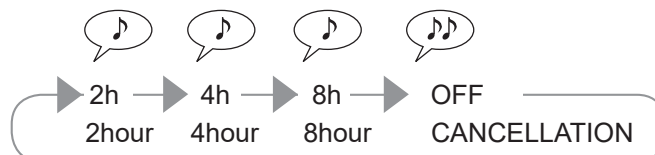


## OFF TIMER

Select the length of time you want, with the main unit on. The main unit automatically stops once the selected time is reached.

(with the main unit ON)

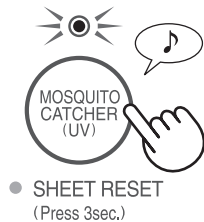
2h 4h 8h



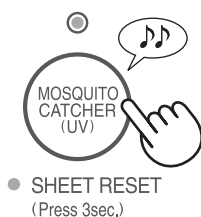
## MOSQUITO CATCHER

Use this function when there is concern about mosquitoes.

### UV Light ON



### UV Light OFF



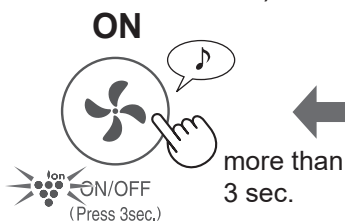
### NOTE

- When SHEET RESET Light is turned on, please replace the Glue Sheet with a new one.
- Select MAX mode to catch mosquito more effectively.  
The higher the air volume is, the easier it is to capture a mosquito.
- If Catch Panel comes off, MOSQUITO CATCHER Light and UV Light are turned off automatically.  
Please check the Catch Panel is properly attached.
- We recommend you to keep this air purifier working for 24 hours to maximize its function except for exchanging filter and Glue Sheet.

## PLASMACLUSTER ION ON/OFF

When Plasmacluster Ion is ON, the Plasmacluster Ion Light will turn on. (blue)

(with the main unit ON)



### NOTE

- When the main unit starts operation, the operation starts in the previous mode it was operated in.

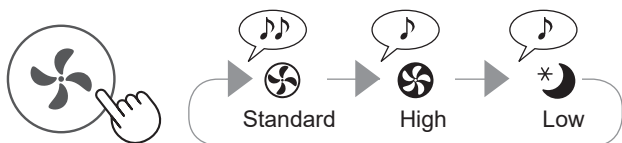
## ADJUSTMENT OF SENSOR DETECTION SENSITIVITY

You can change the sensitivity of the Dust sensor / Odor sensor and the Light sensor .

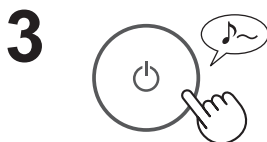
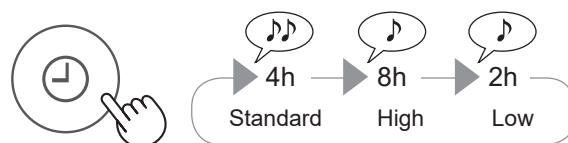
### 1 (with the main unit OFF)



### 2 Dust sensor / Odor sensor



### Light sensor



### NOTE

- If the power OFF Button is not pushed within 8 seconds of adjusting sensor sensitivity, the setting will be saved automatically.
- The sensor sensitivity setting will be saved even if the main unit is unplugged.

# OPERATION

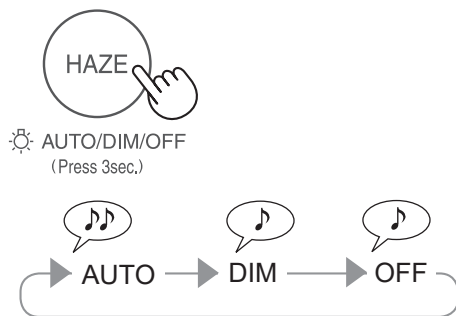
## LIGHT CONTROL

You can set the Cleanliness Monitor / Plasmacluster Ion Light to OFF when their SIGN is bright.

**1** (with the main unit ON)



**2**



## NOTE

- If the HAZE Button is not pushed within 8 seconds, the setting will be saved automatically.
- When the main unit starts operation, the operation starts in the previous mode it was operated in.

## AUTO

Light automatically switches ON or OFF based on room brightness.

Room is bright: light is ON  
Room is dark: light is OFF

## OFF

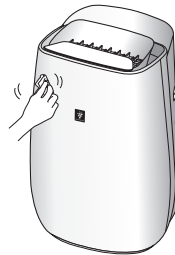
When set to "OFF", the "DIM" light illuminates for 8 seconds after operation starts and then the light turns off and the UV Light becomes dark.

# CARE AND MAINTENANCE

To maintain optimum performance of this air purifier, please clean the main unit including the filter periodically.

Be sure to disconnect the power cord from the wall outlet before performing any maintenance.

## MAIN UNIT



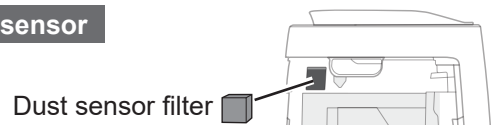
**Wipe with a dry, soft cloth**  
For stubborn stains or dirt, use a soft cloth **dampened with warm water.**

## CAUTION

- **Do not use volatile fluids**  
Benzine, paint thinner, polishing powder, etc., may damage the surface.
- **Do not use detergents**  
Detergent ingredients may damage the main unit.

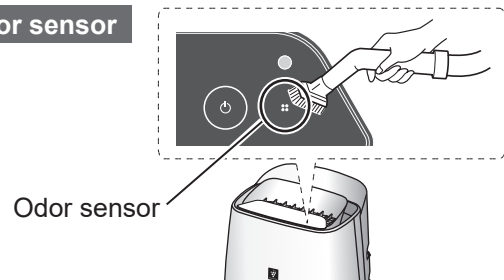
## SENSORS

### Dust sensor



1. Remove the Catch Panel.
2. Remove the Dust Sensor Filter.
3. If it is very dirty, wash it with water and dry it thoroughly.

### Odor sensor



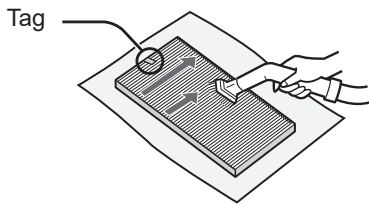
Gently remove dust from the odor sensor, using a vacuum cleaner attachment or similar tool.



Be sure to remove the power plug from the wall outlet.

## FILTERS

### HEPA Filter



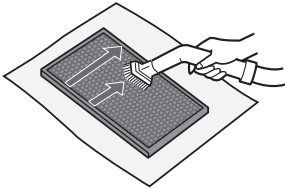
Gently remove dust from HEPA Filter and Deodorizing Filter with a vacuum cleaner attachment or similar tool.

### CAUTION

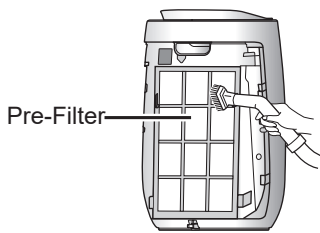
Do not WASH in water and DRY in the sun.  
The filters are fragile, be careful not to apply too much force.

- HEPA Filter  
Apply the maintenance only on the side with the tag.  
Do not clean the opposite side; otherwise, the filter will be damaged.
- Deodorizing Filter  
The maintenance can be applied to the both sides.

### Deodorizing Filter



## PRE-FILTER

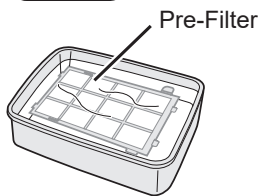


Gently remove dust from the Pre-Filter, using a vacuum cleaner attachment or similar tool.

### CAUTION

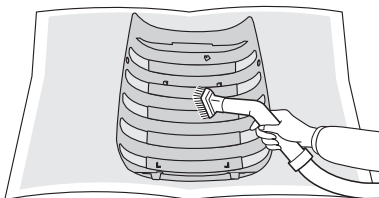
Do not apply excessive pressure, when scrubbing the Pre-Filter.

### NOTE How to clean hard to remove dirt



1. Add a small amount of kitchen detergent to water and soak for about 10 minutes.
2. Rinse off the kitchen detergent with clean water.
3. Completely dry the filter in a well-ventilated area.

## CATCH PANEL



Remove the Glue Sheet, gently remove dust from the Catch Panel, using a vacuum cleaner attachment or similar tool.

### CAUTION

Do not apply excessive pressure, when scrubbing the Catch Panel.

# REPLACEMENT

## FILTERS

### Replacement timing

When REPLACE FILTER Light turn on.\*

**HEPA Filter**

Model : FZ-F50HFE

**Deodorizing Filter**

Model : FZ-F50DFE

\*The REPLACE FILTER Light will turn on after approximately 17,500 hours in sleep mode.  
( 2 years × 24 hours = 17,500)  
Filter life varies depend on the operation mode.

### Life of filters

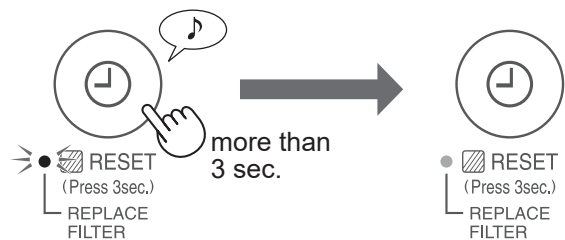
The filter life and replacement period are based on the condition of smoking 5 cigarettes per day and the dust collection power is reduced by half compared with that of new filter.  
Filter life varies depending on the room environment, usage, and location of the main unit.  
We recommend to replace the filter more frequently if the product is used in a condition significantly severer than normal household use.

- HEPA Filter : About 2 years after opening
- Deodorizing Filter : About 2 years after opening

### Filter replacement indicator

Replace the Filter according to the instructions provided with the replacement filter.

After the exchange, insert the plug in socket and press the POWER ON/OFF Button, and OFF TIMER Button 3 seconds.

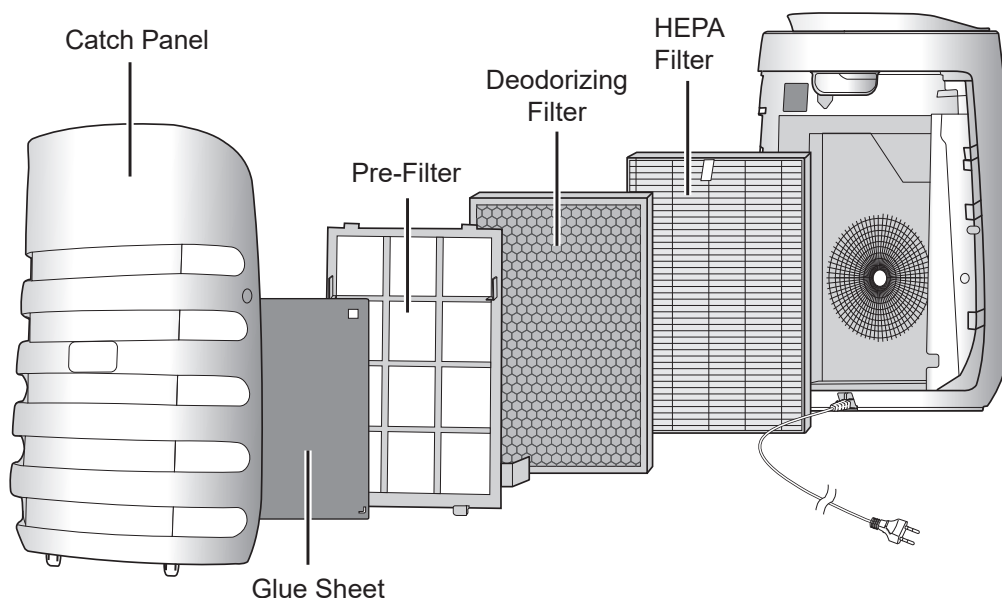


### Disposal of filters

Please dispose of the replaced filter according to the local disposal laws and regulations.

- HEPA Filter materials:
- Polypropylene
  - Polyethylene

- Deodorizing Filter materials:
- Polypropylene
  - Polyester
  - Activated carbon





Be sure to remove the power plug from the wall outlet.

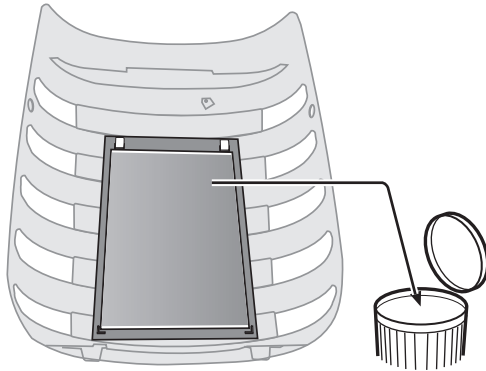
## GLUE SHEET

**Replacement timing** When SHEET RESET Light turn on.

Model : FZ-ST52M

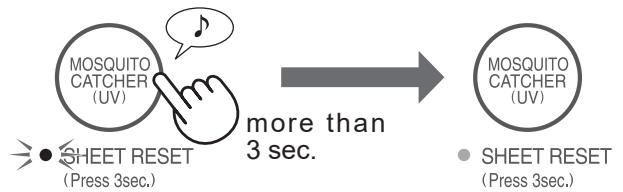
Replace the Glue Sheet according to the operation manual included in the replacement Glue Sheet.

Please discard the used Glue Sheet carefully.



Do not touch the adhesive surface.

After the exchange, insert the plug in socket and press the POWER ON/OFF Button, and MOSQUITO CATCHER Button 3 seconds.



SHEET RESET Light will turn on approximately 2 months (24 hours x 60 days) later when you insert the plug in socket.

The replacement timing is about 2 months, but it may be early depending on the room environment.

Check the Glue Sheet sometimes.

- Please consult your dealer for purchase of replacement Glue Sheet.
- Use only Glue Sheet designed for this product.

### Disposal of Glue Sheet


Please dispose of the replaced Glue Sheet according to the local disposal laws and regulations.

Glue Sheet materials :


- Glue: Acrylic copolymer
- Film: Paper
- Base Sheet: Polycarbonate

# TROUBLESHOOTING


Before calling for service, please review the Troubleshooting chart below, since the problem may not be the main unit malfunction.





SYMPTOM	REMEDY (not a malfunction)
Odors and smoke are not removed.	<ul style="list-style-type: none"> <li>• Is filter still in the plastic bag? Please take it out. (Page 6)</li> <li>• Replace the filters if they appear to be heavily soiled. (Page 12)</li> </ul>
The Cleanliness Monitor illuminates blue even when the air is impure.	<ul style="list-style-type: none"> <li>• The air could be impure at the time the main unit was plugged in. Unplug the main unit, wait one minute, and plug the main unit in again.</li> </ul>
The Cleanliness Monitor illuminates orange or red even when the air is clean.	<ul style="list-style-type: none"> <li>• Sensor operation is affected if the dust sensor openings are dirty or clogged. Gently clean the dust sensor openings. (Page 10).</li> </ul>
A clicking or ticking sound is heard from the main unit.	<ul style="list-style-type: none"> <li>• Clicking or ticking sounds may be audible when the main unit is generating ions.</li> </ul>
The discharged air has an odor.	<ul style="list-style-type: none"> <li>• Check to see if the filters are heavily soiled.</li> <li>• Clean or replace the filters.</li> </ul>
The main unit does not operate properly when cigarette smoke is in the air.	<ul style="list-style-type: none"> <li>• Is the main unit installed in a location that is difficult for the sensor to detect cigarette smoke?</li> <li>• Is the dust sensor opening blocked or clogged? (In this case, clean the opening.) (Page 10)</li> </ul>
The Cleanliness Monitor is turned off.	<ul style="list-style-type: none"> <li>• Check to see if the Lights OFF Mode selected. Press  for 3 seconds to light On. (Page 10)</li> <li>• Check to see if the SLEEP mode is selected. The Cleanliness Monitor/ Plasmacluster Ion Light are turned off automatically after the SLEEP mode is selected.</li> </ul>
The Cleanliness Monitor lights change color frequently.	<ul style="list-style-type: none"> <li>• The Cleanliness Monitor lights automatically change colors as impurities are detected by the dust sensor and the odor sensor.</li> </ul>
The SLEEP lamp is flashing.	<ul style="list-style-type: none"> <li>• Fan motor error. Turn the power OFF. Wait one minute, and then turn the power ON.</li> </ul>
<b>AUTO RESTART</b>	<ul style="list-style-type: none"> <li>• Even when the plug is unplugged or the breaker is thrown during the operation, the operation resumes at the previous operation mode and settings if the power recovers.</li> </ul>

**ON(default)**  
(with the main unit OFF)




(simultaneously for more than 3 sec.)



If the , , ,  Lights light up for 8 seconds, the setting is completed.

**OFF**  
(with the main unit OFF)



(simultaneously for more than 3 sec.)



SYMPTOM	REMEDY (not a malfunction)
<b>MOSQUITO CATCHER Light and UV Light are turned off.</b>	<ul style="list-style-type: none"> <li>If Catch Panel comes off or is not properly set, MOSQUITO CATCHER Light and UV Light are automatically turned off by Magnet sensor. Please confirm whether Catch Panel is properly attached.</li> </ul>
<b>SHEET RESET Light is turned on.</b>	<ul style="list-style-type: none"> <li>It's replacement timing of Glue Sheet. Please exchange to new Glue Sheet. Then, press the MOSQUITO CATCHER Button for 3 seconds.</li> </ul>
<b>No mosquitoes are collected on the Glue Sheet.</b>	<ul style="list-style-type: none"> <li>Aren't windows or doors opened?</li> <li>Don't you set up in the place where the wind blows such as air-conditioner or fan? ⇒ Try to relocate the main unit.</li> </ul>
<b>When the adhesive remains on clothes, skin, floor, etc.</b>	<ul style="list-style-type: none"> <li>Wipe with cooking oil, then wash with soap and water.</li> </ul>
<b>MOSQUITO CATCHER Light is flashing.</b>	<ul style="list-style-type: none"> <li>UV Light has failed. Please call the service center approved by Sharp.</li> </ul>

## SPECIFICATIONS

Power supply		220-240V 50-60Hz		
Fan Speed Operation	Fan Speed Adjustment	MAX	MED	SLEEP*1
	Fan Speed	240m <sup>3</sup> /hour	186m <sup>3</sup> /hour	48~120m <sup>3</sup> /hour
	Rated Power	23W	14W	4.5~7.5W
	Standby Power	0.9W		
Recommended Room Size		~30m <sup>2</sup> *2		
High density Plasmacluster ion recommended room size		~23m <sup>2</sup> *3		
Cord Length		2.0m		
Dimensions		397mm(W)x289mm(D)x591mm(H)		
Weight		6.9kg		

\*1 The fan speed is automatically switched depending on the amount of impurities in the air and room brightness.

\*2 Size of a room which is appropriate for operating the main unit at maximum fan speed.

• It indicates the space where a certain amount of dust particles can be removed in 30 minutes(JEM1467).

\*3 Size of a room in which approximately 7000 ions can be measured per cubic centimeter in the center of the room (at a height of approximately 1.2 meters from the floor) when the product is placed next to a wall and run at the MED operation position.

### Standby Power

In order to operate the electrical circuits while the power plug is inserted in the wall outlet, this product consumes of standby power.

For energy saving, unplug the power cord when the main unit is not in use.

## Sila baca sebelum mengendalikan Pembersih Udara baru anda

Pembersih udara menyedut udara dalam bilik melalui salur masuk udara, mengalirkannya melalui Prapenapis, Penapis Penyahbau dan Penapis HEPA di dalam unit utama, kemudian mengeluarkannya melalui salur keluar udara. Penapis HEPA boleh menyingkirkan 99.97% habuk sekecil 0.3 mikron yang dapat melalui penapis dan juga membantu menyerap bau. Penapis Penyahbau menyerap bau sedikit demi sedikit semasa udara mengalir melalui penapis.

Sesetengah bau yang diserap oleh penapis, lama-kelamaan boleh terurai dan menyebabkan bau semakin kuat.

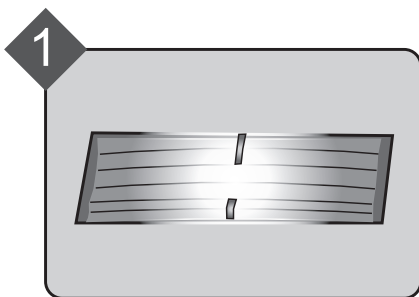
Bergantung pada keadaan penggunaan, dan terutama sekali jika unit utama digunakan dalam persekitaran yang jauh lebih teruk berbanding kediaman biasa, bau ini mungkin menjadi kuat lebih cepat daripada jangkaan. Jika bau ini berlarutan, gantikan penapis. (halaman 12)

## CIRI-CIRI

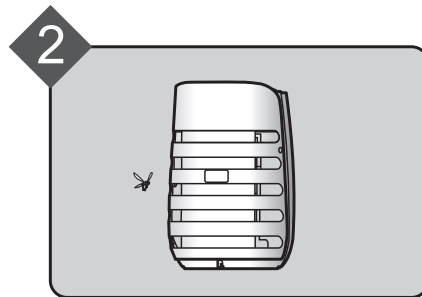
Pembersih Udara dengan Perangkap Nyamuk melindungi kesihatan keluarga anda dengan memerangkap nyamuk dan membersihkan udara dengan teknologi plasmacluster.

### Memerangkap nyamuk dengan bahan bebas racun serangga.

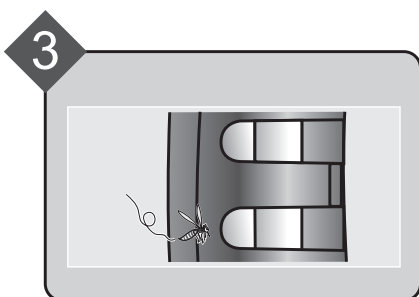
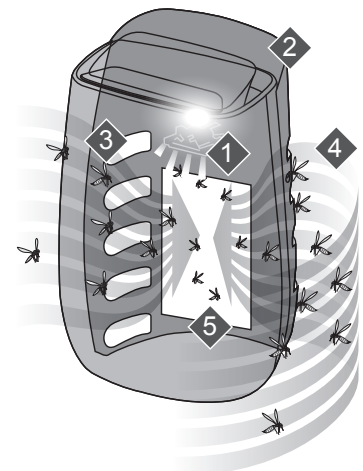
5 langkah berkesan\*<sup>1</sup> berdasarkan hasil kajian tentang tabiat nyamuk dan menggunakan fungsi pembersih udara.



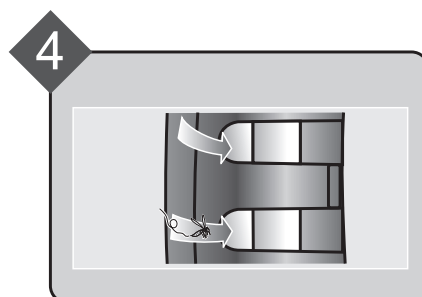
Cahaya UV menarik nyamuk



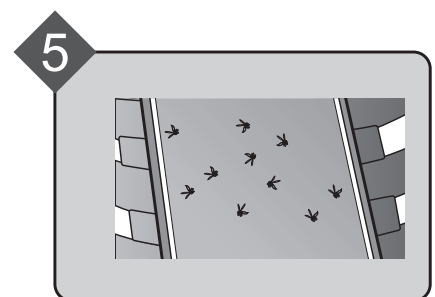
Warna 'Hitam' menawan



Reka bentuk bukaan ideal



Aliran udara dan sedutan yang kuat



Kepingan berpelekat yang kuat

※ Mod Pemerangkap Nyamuk tidak semestinya akan memerangkap semua nyamuk di dalam bilik.

\*1: Secara usaha sama dengan Institut Penyelidikan Perubatan Malaysia.

## Plasmacluster 7000 berketumpatan tinggi

Plasmacluster merawat udara dengan cara yang sama bagaimana alam semula jadi membersihkan alam sekitar dengan mengeluarkan ion positif dan negatif dalam nisbah yang seimbang.

## Sistem Penapisan

Memerangkap Habuk\*<sup>2</sup>

Prapenapis memerangkap habuk dan zarah-zarah besar yang lain dalam udara.

Mengurangkan Bau

Penapis Penyahbau menyerap banyak bau biasa yang terdapat di rumah.

Mengurangkan Debunga & Kulapuk\*<sup>2</sup>

Penapis HEPA memerangkap 99.97% zarah sekecil 0.3 mikron.

\*<sup>2</sup> Apabila udara dialirkan keluar melalui sistem penapisan.

## Operasi HAZE yang sesuai semasa JEREBU berlaku

Mod HAZE membolehkan penghapusan pantas JEREBU dengan isipadu udara tinggi.



## Operasi senyap semasa menangkap nyamuk pada masa tidur

Semasa anda bertukar ke mod Sleep, unit beroperasi secara senyap dengan tanda Plasmacluster dan lampu penunjuk Dust dan Odor dimatikan dan cahaya UV kurang terang, sementara fungsi perangkap nyamuk masih hidup.



## ISI KANDUNGAN

ARAHAN KESELAMATAN PENTING .....	MS-2
NAMA BAHAGIAN .....	MS-4
PEMASANGAN PENAPIS DAN KEPINGAN BERPELEKAT .....	MS-6
OPERASI.....	MS-8
PENJAGAAN DAN PENYELENGGARAAN ..	MS-10
PENGGANTIAN .....	MS-12
PENYELESAIAN MASALAH.....	MS-14
SPESIFIKASI.....	MS-15

Terima kasih kerana membeli Pembersih Udara SHARP ini. Sila baca manual ini dengan teliti. Sebelum menggunakan produk ini, pastikan anda membaca bahagian: "Arahan Keselamatan Penting." Selepas membaca manual ini, simpan ia di lokasi yang mudah dicari untuk rujukan pada masa akan datang.

Untuk rujukan anda, kami menyarankan agar anda menyimpan manual ini di tempat di mana anda mudah untuk membacanya pada bila-bila masa.

# ARAHAN KESELAMATAN PENTING

Sentiasa ikuti langkah keselamatan asas semasa menggunakan perkakas elektrik, termasuk yang berikut:

**AMARAN** – Sentiasa perhatikan perkara yang berikut untuk mengurangkan risiko kejutan elektrik, kebakaran atau kecederaan:

- Baca semua arahan sebelum menggunakan unit utama ini.
- Hanya gunakan salur keluar 220-240 volt.
- **Perkakas ini tidak direka untuk digunakan oleh mereka (termasuk kanak-kanak) yang cacat tubuh badan, cacat deria atau mental, mahupun mereka yang kurang berpengalaman dan pengetahuan, kecuali jika mereka diberikan penyeliaan atau arahan yang betul tentang penggunaan perkakas ini oleh orang yang bertanggungjawab atas keselamatan mereka.**  
Kanak-kanak hendaklah diawasi bagi memastikan mereka tidak bermain dengan perkakas ini.
- Jika kord kuasa rosak, ia mesti digantikan oleh pengilang, wakil servis, Pusat Servis Sharp yang sah atau individu yang berkelayakan bagi mengelakkan bahaya. Sila hubungi Pusat Servis yang berdekatan bagi sebarang masalah, pelarasan atau pembaikan.
- Pastikan anda menanggalkan palam sebelum menjalankan penyelenggaraan, apabila menanggalkan, memasang dan menggantikan penapis serta apabila tidak menggunakannya untuk masa yang lama. Kegagalan melakukan sedemikian akan menyebabkan litar pintas berlaku yang mengakibatkan kejutan elektrik atau kebakaran.
- Jangan gunakan unit utama ini jika kord kuasa atau palamnya rosak atau jika sambungan ke salur keluar dinding longgar.
- Dari semasa ke semasa buang habuk yang melekat pada palam.
- Jangan masukkan jari atau objek asing ke dalam salur masuk atau salur keluar udara.

- Sentiasa pegang palam dan jangan sesekali tarik kordnya apabila hendak menanggalkan palam kuasa. Kegagalan melakukan sedemikian akan menyebabkan litar pintas berlaku yang mengakibatkan kejutan elektrik atau kebakaran.
- Berhati-hati agar kord kuasa tidak rosak, jika tidak, boleh menyebabkan kejutan elektrik, terlebih panas atau kebakaran.
- Jangan tanggalkan palam dengan tangan yang basah.
- Jangan letak unit utama ini berdekatan atau pada objek panas, seperti dapur atau pemanas, ataupun yang boleh terkena wap air.
- Jangan kendalikan unit utama ini di dalam bilik yang menggunakan penyembur pembunuh serangga. Jangan kendalikan unit utama ini di dalam bilik yang udaranya berminyak, berbau asap, terdapat nyalaan api daripada rokok yang dinyalakan, atau wasap kimia di udara. Jangan kendalikan unit utama di tempat yang basah seperti bilik mandi.
- Sila berhati-hati semasa membersihkan unit utama ini. Bahan pencuci yang kuat mengakis boleh merosakkan bahagian luar unit.
- Jangan dedahkan unit utama kepada air. Berbuat demikian boleh menyebabkan litar pintas atau kejutan elektrik.

**NOTA** – Apa harus dilakukan jika unit utama mengganggu penerimaan radio atau TV

Jika pembersih udara mengganggu penerimaan radio atau televisyen, cuba salah satu daripada langkah-langkah berikut:

- Laraskan atau ubah kedudukan antena penerima.
- Jauhkan unit utama dari radio atau TV.
- Sambungkan peralatan ke dalam salur keluar pada litar yang berbeza yang bersambung dengan penerima radio atau TV.
- Rujuk wakil penjual atau juruteknik radio atau TV yang berkelayakan.

## AMARAN BERKAITAN OPERASI

- Jangan halang salur masuk atau salur keluar udara.
- Sentiasa kendalikan unit utama dalam kedudukan menegak.
- Jangan alihkan unit utama semasa ia sedang beroperasi.
- Apabila mengalihkan unit utama, gunakan pemegang di kedua-dua sisinya.
- Jika unit utama terletak di atas lantai yang mudah rosak, permukaan lantai yang tidak rata atau permaidani yang tebal, angkat unit utama ini semasa mengalihkannya.
- Jangan gunakan unit utama jika penapis tidak dipasang dengan betul.
- Jangan cuci dan guna semula penapis HEPA serta penapis Penyahbau. Berbuat demikian tidak akan meningkatkan prestasi penapis dan juga boleh menyebabkan kejutan elektrik atau kegagalan operasi.
- Bersihkan bahagian luarnya dengan kain lembut sahaja.  
Jangan gunakan cecair yang mudah meruap atau bahan pencuci.  
Permukaan unit utama boleh rosak atau merekah apabila menggunakan Benzena, pencair cat atau serbuk penggilap. Selain itu, ia boleh mengakibatkan penderia rosak.
- Jangan sental Prapenapis dengan kuat semasa menyelenggaranya.
- Jangan lihat terus pada cahaya UV. Cahaya UV menepati standard IEC (62471).

## AMARAN MENGENAI PENGGUNAAN KEPINGAN BERPELEKAT

- Kendalikan Kepingan Berpelekat dengan cermat. Elakkan kanak-kanak atau haiwan peliharaan daripada menyentuh permukaan berpelekat.
- Jika pelekat terkena pada tangan atau pakaian, basuh ia dengan sabun dan air dengan cepat dan sehingga betul-betul bersih selepas menyingkirkan bahan tersebut dengan menggunakan minyak masak.
- Pengumpulan habuk dan kotoran pada kepingan boleh mengurangkan keberkesanan Kepingan Berpelekat.

- Sekiranya tiada nyamuk yang terlekat pada kepingan, cuba tukar lokasi unit.
- Apabila membuang, sila lupuskan mengikut undang-undang dan peraturan pelupusan tempatan.
- Ini ialah produk jenis pelekat yang selamat sepenuhnya. Tiada bahan beracun.

## GARIS PANDUAN PEMASANGAN

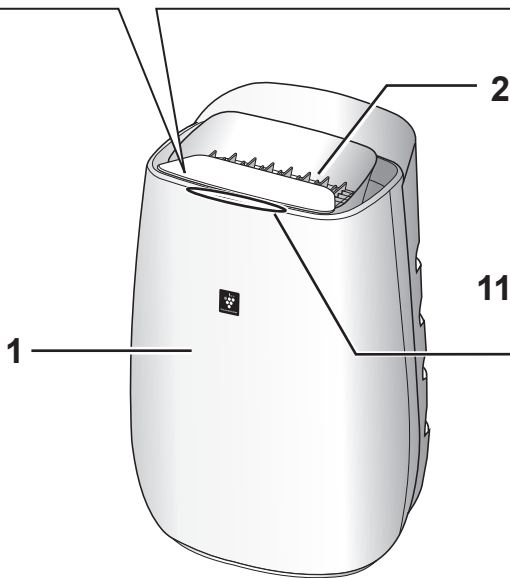
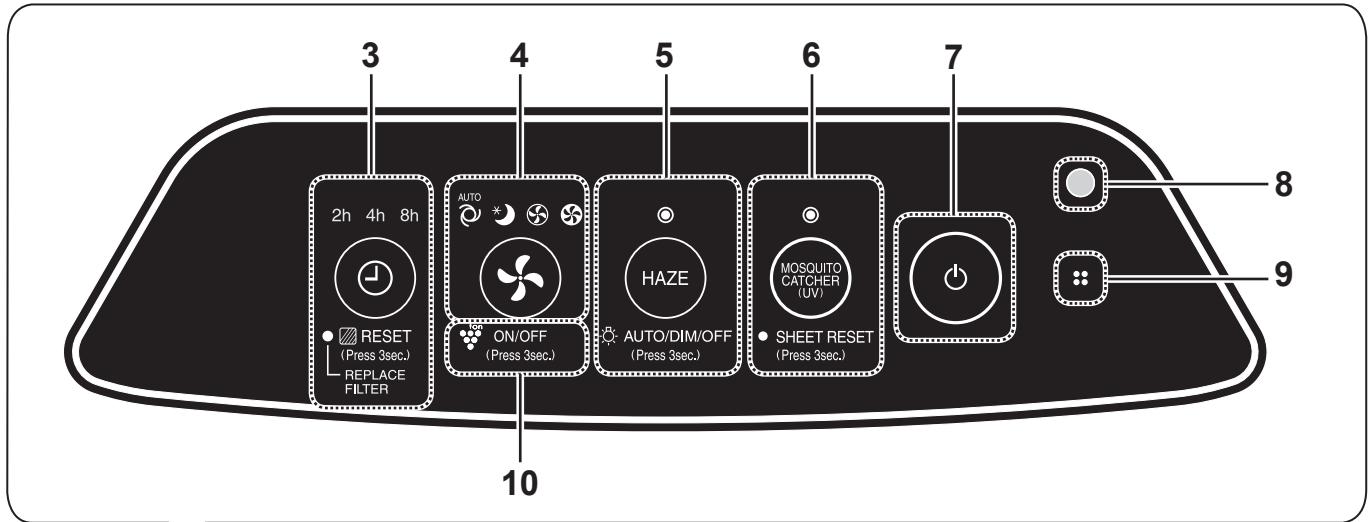
- Elakkan lokasi yang boleh menyebabkan penderia terdedah terus kepada angin. Berbuat demikian boleh menyebabkan unit utama rosak.
- Elakkan lokasi yang boleh menyebabkan perabot, kain atau objek lain terkena unit utama dan mengganggu penyedutan dan pengeluaran udara.
- Elakkan lokasi yang boleh menyebabkan unit utama terdedah kepada pemeluwapan atau perubahan suhu yang mendadak. Suhu bilik yang sesuai adalah antara 0 – 35 °C.
- Letakkan unit utama di atas permukaan yang rata dan stabil dengan peredaran udara yang mencukupi.  
Apabila diletakkan di atas permaidani yang tebal, unit utama mungkin akan bergetar sedikit.
- Elakkan lokasi yang mengeluarkan asap yang bergris atau berminyak.  
Berbuat demikian boleh menyebabkan bahagian luar unit utama merekah dan penderia rosak.
- Keupayaan unit utama mengumpul habuk berkesan walaupun unit utama hanya 3 cm dari dinding, dan sekitar dinding serta lantai kotor. Sila letakkan unit utama jauh dari dinding.  
Dinding yang berada betul-betul di belakang salur keluar udara lama-kelamaan mungkin akan menjadi kotor. Jika anda menggunakan unit utama di tempat yang sama untuk tempoh yang lama, bersihkan dinding yang bersebelahan dengannya dari semasa ke semasa.

## GARIS PANDUAN PENAPIS

- Ikuti arahan dalam manual ini untuk penjagaan dan penyelenggaraan penapis yang betul.

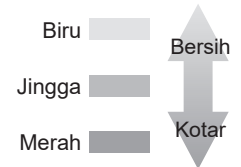
# NAMA BAHAGIAN

## DEPAN



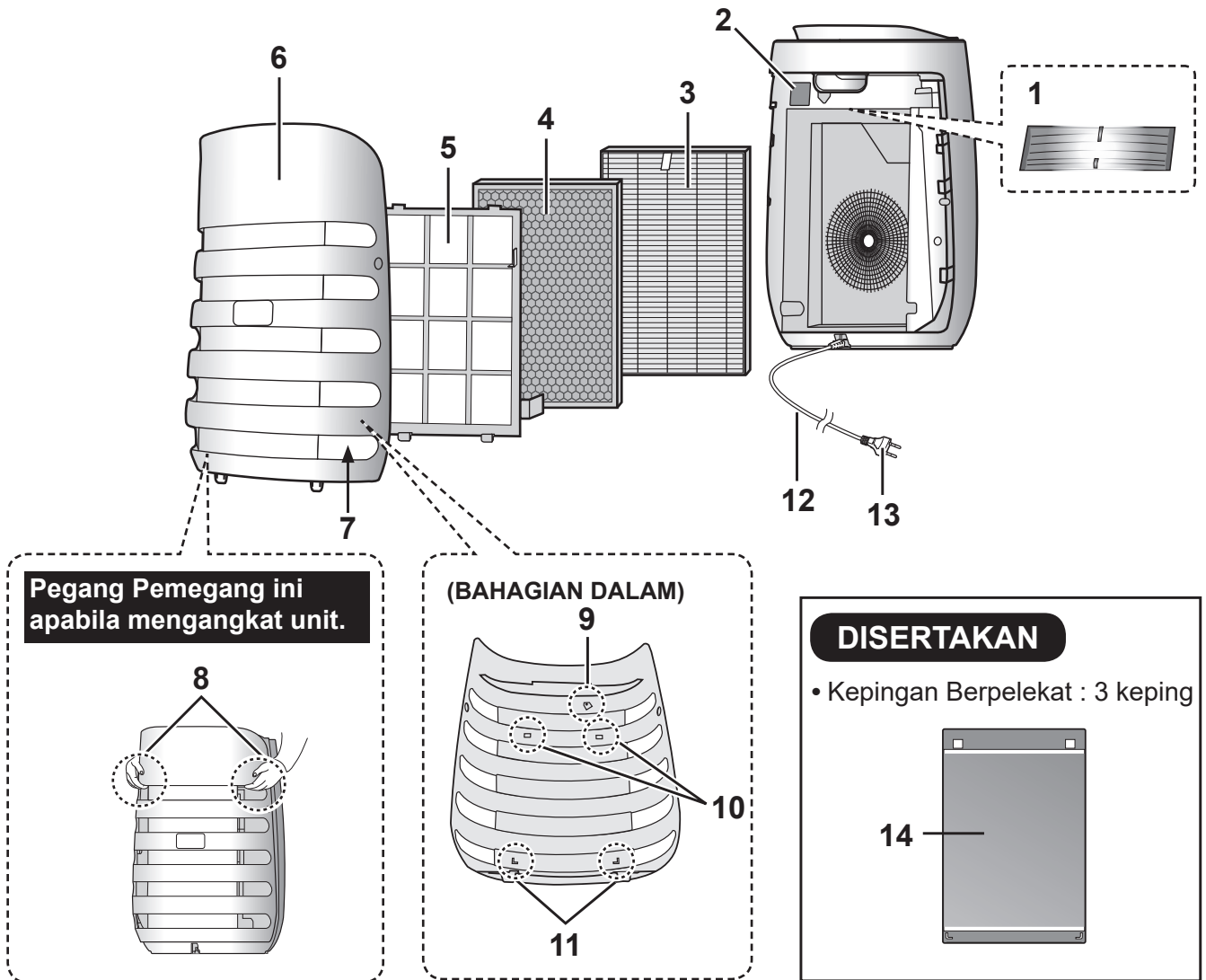
### Pemantau Kebersihan

Menunjukkan kebersihan udara bilik mengikut 3 tahap dengan perubahan warna.



1	Unit Utama
2	Salur Keluar Udara
3	Butang PEMASA MATI, Lampu Penunjuk (putih) <Tekan 3 saat> Butang Tetap Semula Penapis, Lampu Penunjuk (jingga)
4	Butang MOD, Lampu Penunjuk (putih) <Tekan 3 saat> Butang Ion Plasmacluster ON/OFF
5	Butang Mod JEREBU, Lampu Penunjuk (putih) <Tekan 3 saat> Butang Kawalan LAMPU
6	Butang PEMERANGKAP NYAMUK, Lampu Penunjuk (putih) <Tekan 3 saat> Butang TETAPAN KEPINGAN, Lampu Penunjuk (jingga)
7	Butang POWER ON/OFF
8	Lampu Penderia
9	Penderia BAU
10	Lampu Penunjuk Ion Plasmacluster (biru)
11	Pemantau Kebersihan

## BELAKANG

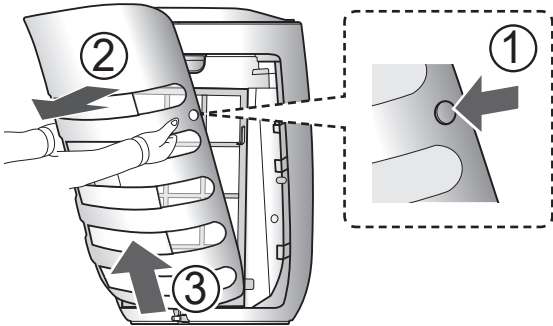


1	Cahaya UV
2	Penderia Habuk / Penapis Penderia Habuk
3	Penapis HEPA
4	Penapis Penyahbau
5	Prapenapis
6	Panel pemerangkap
7	Salur Masuk Udara
8	Pemegang
9	Magnet
10	Cangkuk atas
11	Cangkuk bawah
12	Kord Kuasa
13	Palam (Bentuk palam bergantung pada negara.)
14	Kepingan Berpelekat

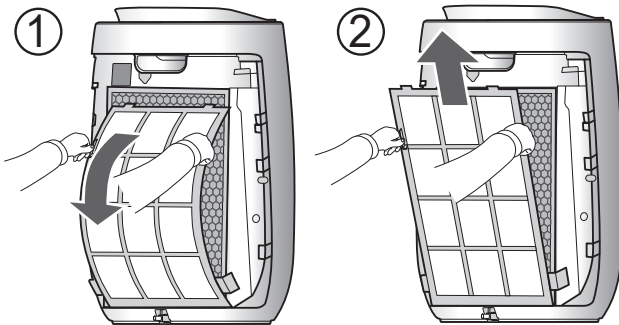
# PEMASANGAN PENAPIS DAN KEPINGAN BERPELEKAT

Untuk mengekalkan kualiti penapis dan kepingan berpelekat, ia dipasang di unit utama dan dibungkus di dalam beg plastik. Pastikan anda mengeluarkan penapis dan kepingan berpelekat daripada beg plastik sebelum menggunakan unit ini.

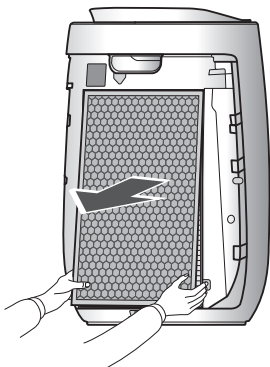
## 1 Keluarkan Panel Pemerangkap



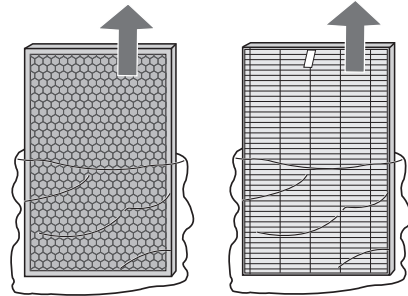
## 2 Pegang tab Prapenapis dan tanggalkannya.



## 3 Tanggalkan Penapis.

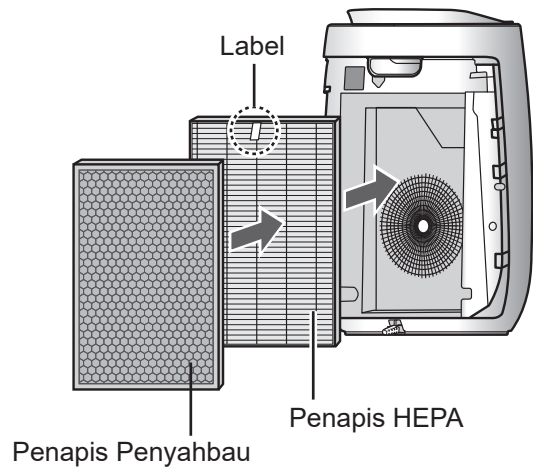


## 4 Tanggalkan Penapis dari beg plastik.

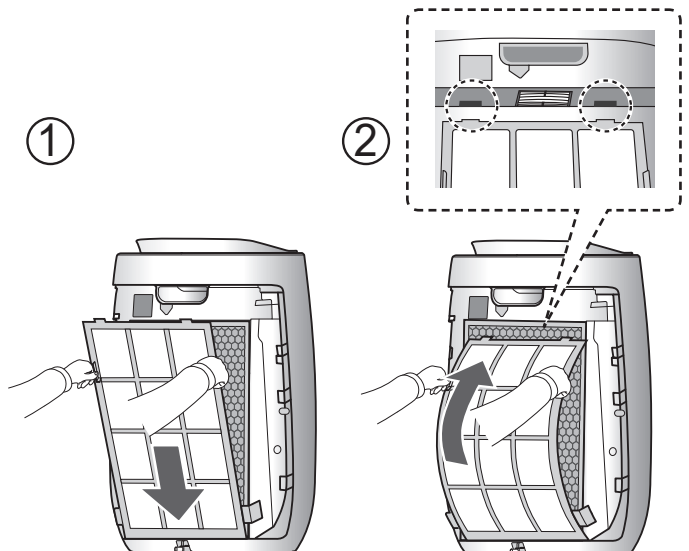


## 5 Letak Penapis di unit utama.

Jangan pasang penapis terbalik, jika tidak unit utama ini tidak akan beroperasi dengan betul.



## 6 Pegang tab Prapenapis, dan Pasangkan ia.

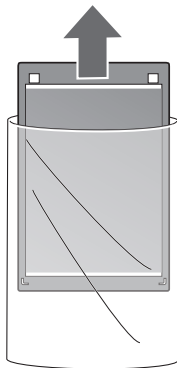




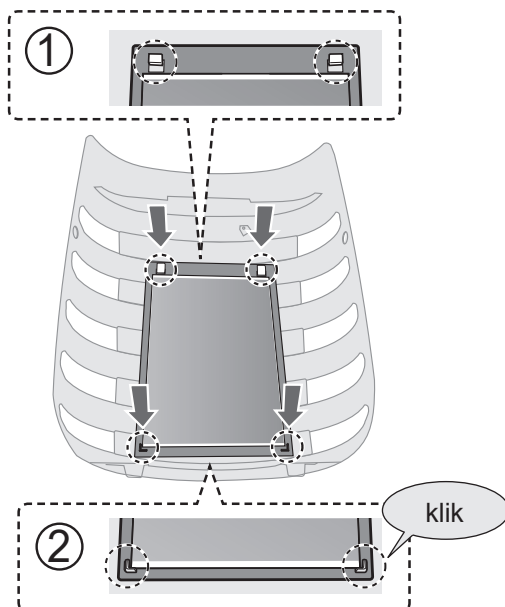


Pastikan anda menanggalkan palam kuasa dari soket dinding.

- 7** Tanggalkan Kepingan Berpelekat dari beg plastik.
- Simpan Kepingan Berpelekat tambahan jauh daripada sinaran langsung cahaya matahari dan letakkannya secara mendatar dengan muka berpelekat menghadap ke atas.

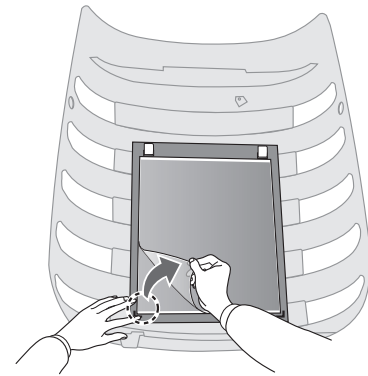


- 8** ① Gantungkan Kepingan Berpelekat pada Cangkuk Atas pada sisi dalam Panel Pemerangkap.
- ② Masukkannya ke dalam cangkuk bawah.

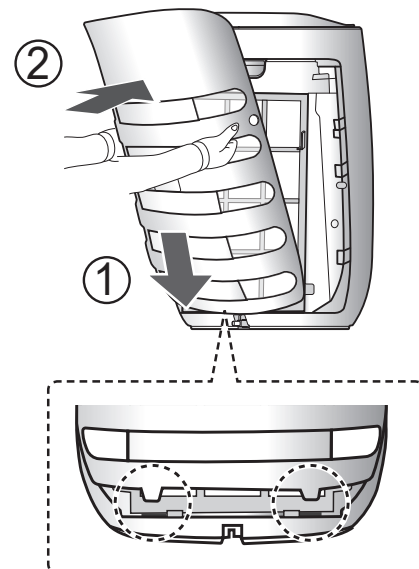


- 9** Kopek filem pelindung dengan perlahan dari bucu Kepingan Berpelekat.
- Buang filem pelindung sebagai sampah yang boleh dibakar.
  - Pastikan bahagian bawah telah dimasukkan dengan betul ke cangkuk Bawah.

**Berhati-hati** agar Kepingan Berpelekat tidak terlekat pada rambut dan pakaian.



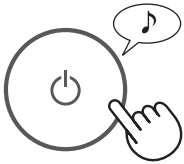
- 10** Pasang Panel Penangkap bermula dari bahagian bawah.



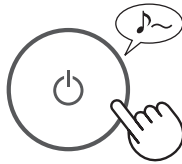
# OPERASI

## MULA/BERHENTI

### MULA



### BERHENTI



- Apabila unit utama mula beroperasi, operasi bermula pada mod sebelumnya yang telah dikendalikan.

## JEREBU

Unit utama ini beroperasi pada kelajuan kipas yang tinggi selama 60 minit, kemudian ia akan berselang-seli antara tahap Rendah dan Tinggi selama 20 minit setiap satunya.



10 minit: Tahap kipas tinggi maksimum
50 minit: Tahap kipas tinggi
20 minit: Tahap kipas rendah
20 minit: Tahap kipas tinggi

### NOTA

- Plasmacluster Ion tidak boleh ditukar kepada "OFF".
- Mod ini boleh ditukar kepada mod lain semasa beroperasi. Walau bagaimanapun, mod JEREBU tidak berfungsi selepas bertukar mod.

## KELAJUAN KIPAS



### NOTA

#### AUTO



Kelajuan kipas dikawal secara automatik bergantung pada 3 pegasanan. (Habuk / bau / Lampu)

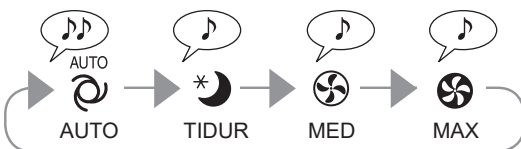
#### TIDUR



Unit utama ini akan beroperasi secara sangat tenang, dan kelajuan kipas akan ditukar secara automatik bergantung pada jumlah bendasing dalam udara dan kecerahan bilik. Pemantau Kebersihan/Lampu Ion Plasmacluster dimatikan dan Lampu UV menjadi gelap secara automatik. Walaupun penunjuk dimatikan, ia tetap melepaskan ion Plasmacluster ke udara kecuali jika Ion Plasmacluster dimatikan

oleh 

ION ON/OFF (Press 3sec.)

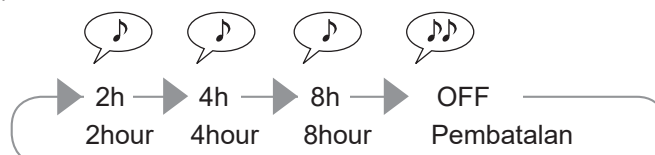


## PEMASA MATI

Pilih jangka masa yang anda ingini, semasa unit utama dihidupkan. Unit utama berhenti secara automatik setelah sampai masa yang dipilih.

(semasa unit utama ON)

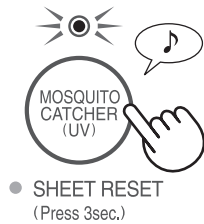
2h 4h 8h



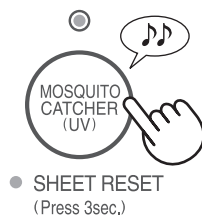
## PERANGKAP NYAMUK

Gunakan fungsi ini apabila terdapat gangguan nyamuk.

### Cahaya UV ON



### Cahaya UV OFF



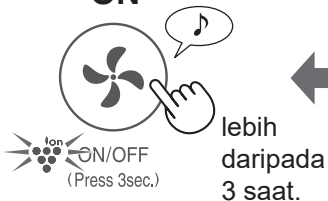
## NOTA

- Apabila Lampu SHEET RESET menyala, sila gantikan Lembaran Perekat dengan yang baharu.
- Pilih mod Maks untuk memerangkap nyamuk secara lebih berkesan. Lebih tinggi isi padu udara, lebih mudah untuk menangkap nyamuk.
- Jika Panel Penangkap tertanggal, Lampu MOSQUITO CATCHER dan Lampu UV dimatikan secara automatik. Periksa sama ada Panel Perangkap telah dipasang dengan betul.
- Kami mengesyorkan anda untuk memastikan pembersih udara ini berfungsi 24 jam untuk memaksimumkan fungsinya kecuali semasa menukar penapis dan Kepingan Berpelekat.

## PASANG/PADAM ION PLASMACLUSTER

Apabila Ion Plasmacluster ditetapkan kepada ON, Lampu Penunjuk Ion Plasmacluster akan menyala. (biru) (semasa unit utama ON)

### ON



### OFF



## NOTA

- Apabila unit utama mula beroperasi, operasi bermula pada mod sebelumnya yang telah dikendalikan.

## PELARASAN KESENSITIFAN PENGESANAN PENDERIA

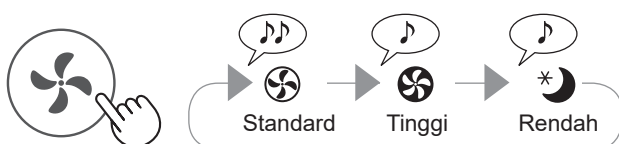
Anda boleh menukar sensitiviti penerima Habuk / penerima Bau dan penerima Lampu.

### 1 (semasa unit utama OFF)

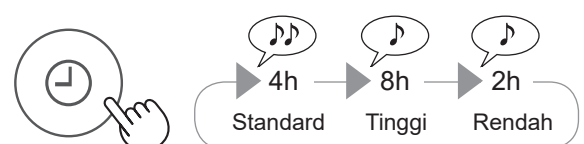


### 2

#### Penerima Habuk / Penerima Bau



#### Lampu Penerima



### 3



## NOTA

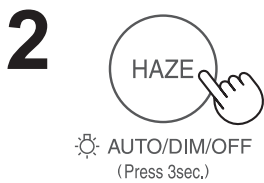
- Jika Butang kuasa OFF tidak ditekan dalam masa 8 saat selepas melaraskan kesensitifan penerima, tetapan itu akan disimpan secara automatik.
- Tetapan kesensitifan penerima akan disimpan walaupun jika palam unit utama dicabut.

# OPERASI

## KAWALAN LAMPU

Anda boleh menetapkan Pemantau Kebersihan / Lampu Plasmacluster Ion kepada OFF apabila TANDA lampu penunjuk terang.

**1** (semasa unit utama ON)



## NOTA

- Jika butang JEREBU tidak ditolak dalam masa 8 saat, tetapan akan disimpan secara automatik.
- Apabila unit utama mula beroperasi, operasi bermula pada mod sebelumnya yang telah dikendalikan.

## AUTO

Lampu bertukar kepada ON atau OFF secara automatik mengikut kecerahan bilik.  
Bilik cerah: lampu ON  
Bilik gelap: lampu OFF

## OFF

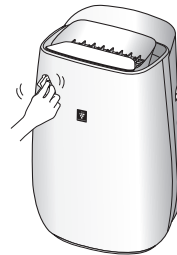
Apabila ditetapkan kepada "OFF", lampu "DIM" menyala selama 8 saat selepas operasi bermula dan kemudian lampu dimatikan dan Lampu UV menjadi gelap.

# PENJAGAAN DAN PENYELENGGARAAN

Untuk mengekalkan prestasi optimum alat pembersih udara ini, sila bersihkan Unit Utama ini termasuk penapisnya secara berkala.

Pastikan anda mencabut kord kuasa dari soket dinding sebelum menjalankan sebarang kerja penyelenggaraan.

## Unit Utama



**Lap dengan kain lembut yang kering.**

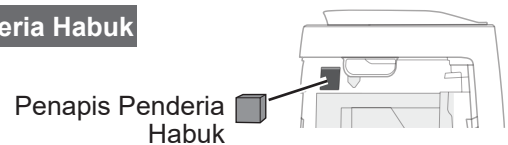
Untuk kesan atau kotoran degil, gunakan kain lembut yang dilembapkan dengan air suam.

## AWAS

- **Jangan gunakan cecair mudah meruap**  
Benzena, pencair cat, serbuk penggilap dan sebagainya boleh merosakkan permukaannya.
- **Jangan gunakan bahan pencuci**  
Bahan-bahan dalam bahan pencuci boleh merosakkan unit utama ini.

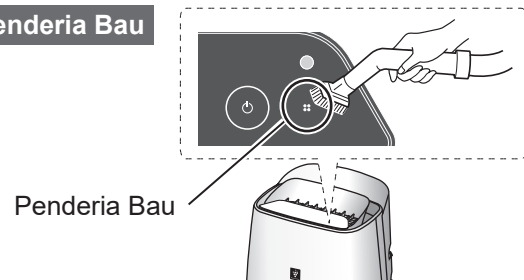
## PENDERIA

### Penderia Habuk



1. Tanggalkan Panel Perangkap.
2. Tanggalkan Penapis Penderia Habuk.
3. Jika ia sangat kotor, basuh ia dengan air dan keringkan sepenuhnya.

### Penderia Bau



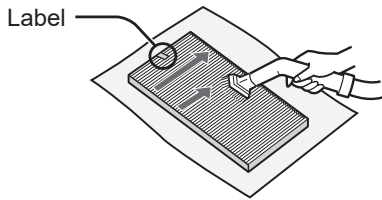
Bersihkan habuk dari penderia bau sensor menggunakan hujung pembersih hampagas atau alat yang serupa.



Pastikan anda menanggalkan palam kuasa dari soket dinding.

## PENAPIS

### Penapis HEPA

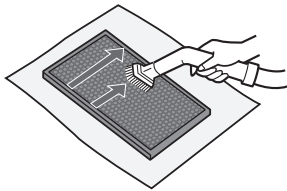


Buang habuk daripada Penapis HEPA dan Penapis Penyahbau dengan perlahan-lahan dengan menggunakan hujung pembersih hampagas atau alat yang serupa.

### AWAS

Jangan BASUH dalam air dan KERINGKAN di bawah sinar matahari. Penapis mudah rosak, berhati-hati supaya tidak dikenakan daya tekanan secara berlebihan.

### Penapis Penyahbau



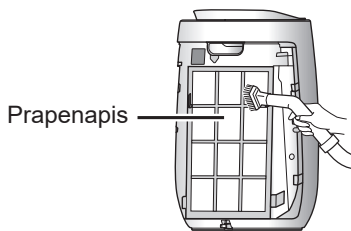
- Penapis HEPA

Jalankan penyelenggaraan pada bahagian berlabel sahaja. Jangan bersihkan bahagian yang bertentangan, jika tidak penapis akan rosak.

- Penapis Penyahbau

Penyelenggaraan boleh dibuat pada kedua-dua belahnya.

## Prapenapis

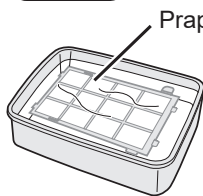


Buang habuk daripada panel belakang dengan lembut, menggunakan hujung pembersih hampagas atau alat yang serupa.

### AWAS

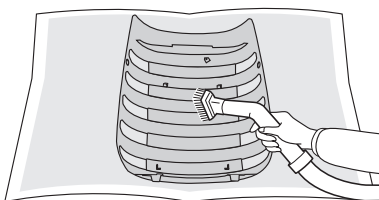
Jangan dikenakan tekanan secara berlebihan apabila menyental prapenapis.

### NOTA Cara membersihkan bagi kotoran degil



1. Campurkan sedikit bahan pencuci pinggan dengan air dan rendam selama 10 minit.
2. Bilas bahan pencuci pinggan itu dengan air bersih.
3. Keringkan sepenuhnya penapis di kawasan yang mempunyai pengaliran udara yang baik.

## PANEL PEMERANGKAP



Tanggalkan Kepingan Berpelekat, kemudian buang habuk daripada Panel Pemerangkap menggunakan hujung pembersih hampagas atau alat yang serupa.

### AWAS

Jangan dikenakan tekanan secara berlebihan apabila menyental panel pemerangkap.

# PENGGANTIAN

## PENAPIS

**Masa penggantian**

Semasa lampu Penunjuk Ganti Penapis menyala.\*

**Penapis HEPA**

Model : FZ-F50HFE

**Penapis Penyahbau**

Model : FZ-F50DFE

\*Lampu penunjuk Ganti Penapis akan menyala selepas kira-kira 17,500 jam dalam mod Tidur.  
(2 tahun x 24 jam = 17,500)  
Jangka hayat penapis berbeza bergantung pada mod operasi.

### Jangka Hayat Penapis

Jangka hayat dan tempoh penggantian penapis adalah berdasarkan keadaan di mana rokok dihisap 5 batang sehari dan kuasa pengumpulan habuk berkurangan setengah daripada kuasa penapis baru.

Jangka hayat penapis berbeza-beza bergantung pada persekitaran bilik, penggunaan dan lokasi unit utama ini.

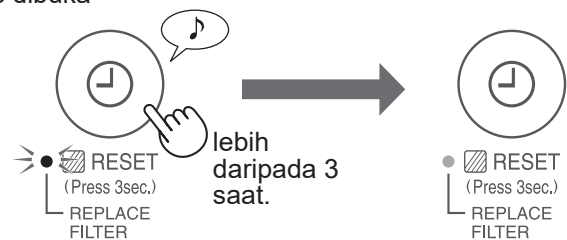
Kami mengesyorkan agar anda menggantikan penapis dengan lebih kerap jika produk ini digunakan dalam keadaan yang jauh lebih teruk daripada penggunaan biasa di rumah.

- Penapis HEPA : Lebih kurang 2 tahun selepas dibuka
- Penapis penyahbau : Lebih kurang 2 tahun selepas dibuka

### Penunjuk penggantian penapis

Gantikan Penapis mengikut arahan yang disediakan dengan penapis gantian.

Selepas pertukaran, masukkan palam ke dalam soket dan tekan butang POWER ON/OFF, dan butang PEMASA MATI selama 3 saat.

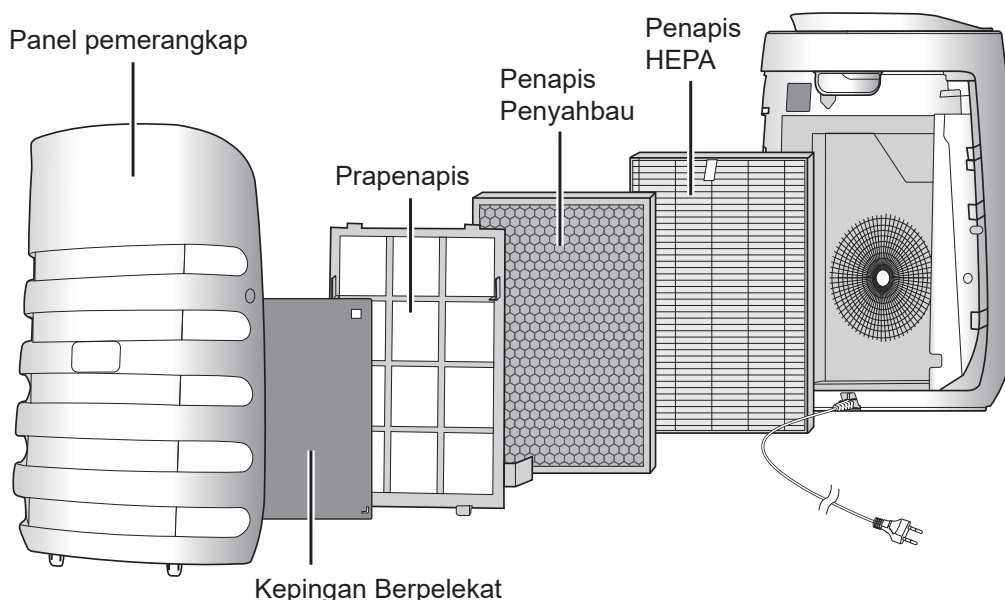


### Pembuangan Penapis

Sila buang penapis terpakai mengikut undang-undang dan peraturan pembuangan tempatan.

- Bahan Penapis HEPA :
- Polipropilena
  - Polietilena

- Bahan Penapis Penyahbau :
- Polipropilena
  - Poliester
  - Karbon diaktifkan





Pastikan anda menanggalkan palam kuasa dari soket dinding.

## Kepingan Berpelekat

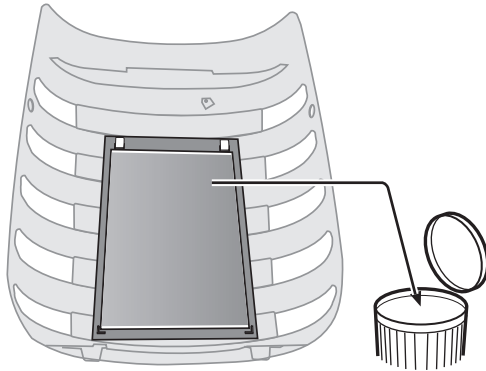
### Masa penggantian

Semasa lampu Penunjuk Tetapan Kepingan menyala.

Model : FZ-ST52M

Gantikan kepingan Berpelekat mengikut manual operasi yang disertakan dalam kepingan berpelekat gantian.

Sila buang kepingan berpelekat yang telah digunakan dengan berhati-hati.



Jangan sentuh bahagian pelekat.

Selepas pertukaran, masukkan palam ke dalam soket dan tekan butang POWER ON/OFF, dan butang PEMERANGKAP NYAMUK selama 3 saat.



Lampu SHEET RESET akan menyala kira-kira 2 bulan (24 jam x 60 hari) kemudian apabila anda memasukkan palam ke dalam soket.

Masa penggantian lebih kurang 2 bulan, tetapi ia mungkin lebih awal bergantung pada persekitaran bilik.

Kadang kala periksa kepingan berpelekat.

- Sila berunding dengan pengedar anda untuk membeli Kepingan Berpelekat ganti.
- Gunakan Kepingan Berpelekat yang direka untuk produk ini sahaja.

### Pembuangan Kepingan Berpelekat

Sila buang Kepingan Berpelekat terpakai mengikut undang-undang dan peraturan pembuangan tempatan.

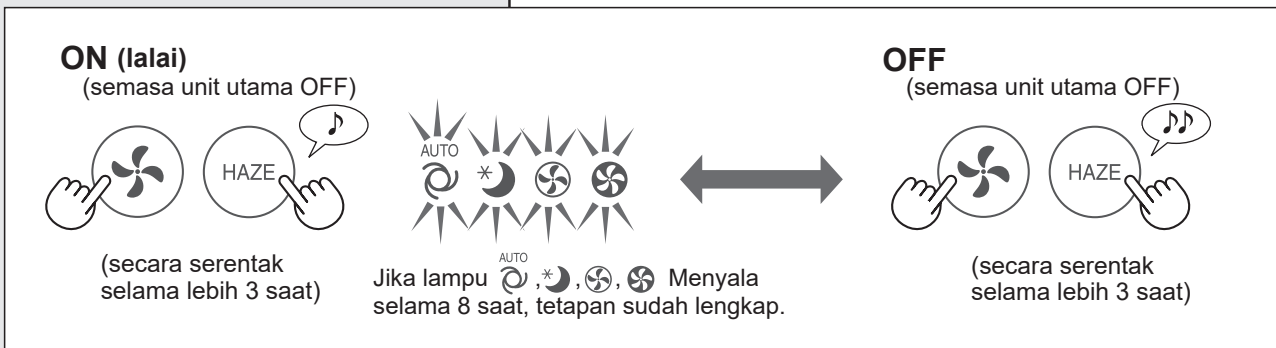
Bahan Kepingan Berpelekat :

- Pelekat: Kopolimer akrilik
- Filem: kertas
- Kepingan Asas: Polikarbonat

# PENYELESAIAN MASALAH

Sebelum menghubungi wakil servis, sila semak carta Pengenalpastian dan Penyelesaian Masalah di bawah. Ini kerana masalah anda itu mungkin bukan disebabkan oleh kegagalan unit untuk berfungsi.

TANDA	CARA MEMULIHKAN (bukan kepincangan tugas)
Bau dan asap gagal dihapuskan.	<ul style="list-style-type: none"> <li>Adakah penapis masih berada di dalam beg plastik? Sila keluarkan penapis. (halaman 6)</li> <li>Ganti penapis jika ia kelihatan sangat kotor. (halaman 12)</li> </ul>
Pemantau Kebersihan akan menyalakan lampu hijau walaupun jika udara kotor.	<ul style="list-style-type: none"> <li>Udara mungkin kotor pada masa unit dihidupkan. Matikan unit, cabut palamnya, tunggu seminit dan pasang semula palamnya.</li> </ul>
Pemantau Kebersihan akan menyalakan lampu jingga atau merah apabila udara bersih.	<ul style="list-style-type: none"> <li>Operasi penderia akan terjejas jika bukaan penderia habuk kotor atau tersumbat. Bersihkan bukaan penderia habuk dengan perlahan-lahan. (halaman 10).</li> </ul>
Bunyi 'klik' atau 'tik' kedengaran dari unit utama.	<ul style="list-style-type: none"> <li>Bunyi 'klik' atau 'tik' mungkin kedengaran jika unit sedang menjana ion.</li> </ul>
Udara yang dihembuskan berbau.	<ul style="list-style-type: none"> <li>Periksa jika penapis sangat kotor.</li> <li>Bersihkan atau ganti penapis.</li> </ul>
Unit utama ini tidak beroperasi dengan betul apabila terdapat asap rokok dalam udara.	<ul style="list-style-type: none"> <li>Adakah unit ini dipasang di lokasi yang menyebabkan penderianya sukar mengesan asap rokok?</li> <li>Adakah bukaan penderia habuk tersekat atau tersumbat? (Dalam kes ini, bersihkan bukaannya.) (halaman 10)</li> </ul>
Pemantau Kebersihan dimatikan.	<ul style="list-style-type: none"> <li>Periksa untuk memastikan Mod Lights OFF dipilih. Tekan  selama 3 saat untuk menyalakan lampu. (halaman 10)</li> <li>Periksa untuk memastikan Mod TIDUR dipilih. Pemantau Kebersihan/PLASMACLUSTER dimatikan secara automatik selepas mod TIDUR dipilih.</li> </ul>
Pemantau Kebersihan bertukar warna dengan kerap.	<ul style="list-style-type: none"> <li>Lampu Pemantau Kebersihan bertukar warna secara automatik apabila kekotoran dikesan oleh penderia habuk dan penderia bau.</li> </ul>
Lampu TIDUR berkelip-kelip.	<ul style="list-style-type: none"> <li>Ralat motor kipas. MATIKAN bekalan kuasa. Tunggu selama satu minit, kemudian HIDUPKAN semula bekalan kuasa.</li> </ul>
<b>MULA SEMULA AUTO</b>	<ul style="list-style-type: none"> <li>Walaupun semasa palam dicabut atau bekalan elektrik terputus semasa operasi, operasi akan disambung semula pada mod operasi dan tetapan sebelumnya apabila bekalan kuasa pulih.</li> </ul>





TANDA	CARA MEMULIHKAN (bukan kepincangan tugas)
Lampu MOSQUITO CATCHER dan Lampu UV dimatikan.	<ul style="list-style-type: none"> <li>Jika Panel Penangkap tertanggal atau tidak dipasang dengan betul, Lampu MOSQUITO CATCHER dan Lampu UV dimatikan secara automatik oleh penerima Magnet.</li> <li>Sila sahkan sama ada panel pemerangkap dipasang dengan betul.</li> </ul>
Lampu SHEET RESET menyala.	<ul style="list-style-type: none"> <li>Masa penggantian bagi kepingan berpelekat.</li> <li>Sila tukar kepada kepingan berpelekat baharu.</li> <li>Kemudian, tekan butang Pemerangkap Nyamuk selama 3 saat.</li> </ul>
Tiada nyamuk yang terlekat pada Kepingan Berpelekat.	<ul style="list-style-type: none"> <li>Adakah tingkap atau pintu terbuka?</li> <li>Adakah anda pasang pada tempat angin bertiup seperti penyaman udara atau kipas? ⇒ Cuba tukar lokasi unit.</li> </ul>
Apabila gam pelekat terkena pada pakaian, kulit, lantai dsb.	<ul style="list-style-type: none"> <li>Lap dengan minyak masak, kemudian basuh dengan sabun dan air.</li> </ul>
Lampu PEMERANGKAP NYAMUK berkelip-kelip.	<ul style="list-style-type: none"> <li>Cahaya UV telah gagal. Hubungi pusat servis yang ditauliahkan oleh Sharp.</li> </ul>

## SPEKIFIKASI

Bekalan kuasa		220-240V 50-60Hz		
Operasi Kelajuan Kipas	Pelarasan Kelajuan Kipas	MAX	MED	TIDUR* <sup>1</sup>
	Kelajuan Kipas	240m <sup>3</sup> /jam	186m <sup>3</sup> /jam	48~120m <sup>3</sup> /jam
	Kuasa Terkadar	23W	14W	4.5~7.5W
	Kuasa Tunggu Sedia	0.9W		
Saiz Bilik Disyorkan		~30m <sup>2</sup> * <sup>2</sup>		
Saiz bilik cadangan ion Plasmacluster berketumpatan tinggi		~23m <sup>2</sup> * <sup>3</sup>		
Panjang kord		2.0m		
Ukuran		397mm(W)x289mm(D)x591mm(H)		
Berat		6.9kg		

- \*1 Kelajuan kipas akan ditukar secara automatik bergantung pada jumlah bendasing dalam udara dan kecerahan bilik.
- \*2 Saiz bilik yang sesuai untuk mengendalikan unit utama dengan kelajuan kipas maksimum.
- Ia menunjukkan ruang di mana jumlah tertentu zarah habuk boleh disingkirkan dalam masa 30 minit (JEM1467)
- \*3 Saiz bilik di mana lebih kurang 7000 ion boleh diukur per sentimeter padu di tengah-tengah bilik (pada ketinggian lebih kurang 1.2 meter dari lantai). apabila produk ini diletakkan di sebelah dinding dan beroperasi pada kedudukan operasi MED.

### Kuasa Tunggu Sedia

Bagi mengendalikan litar elektrik semasa palam kuasa dipasang pada soket dinding, produk ini menggunakan kuasa tunggu sedia.  
Bagi penjimatan tenaga, tanggalkan kord kuasa jika unit utama tidak digunakan.

## Vui lòng đọc kỹ hướng dẫn sử dụng trước khi vận hành máy lọc không khí mới

Máy lọc không khí hút không khí trong phòng thông qua cửa nạp không khí, lưu thông không khí qua một bộ lọc sơ cấp, bộ lọc khử mùi và bộ lọc HEPA bên trong thiết bị, và sau đó xả không khí qua cửa xả không khí. Bộ lọc HEPA có thể loại bỏ 99,97% hạt bụi có kích cỡ nhỏ 0,3 micro đi qua bộ lọc và cũng có chức năng hút mùi. Bộ lọc khử mùi từ từ hút các mùi khi chúng đi qua bộ lọc.

Một số mùi bám vào bộ lọc sẽ phát tán ngược lại phòng làm cho mùi trong phòng nặng hơn theo thời gian.

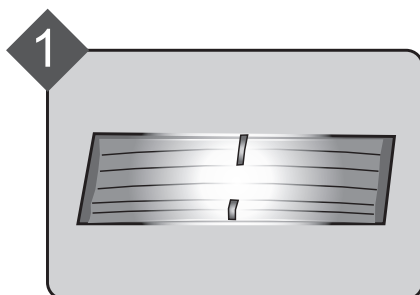
Tùy thuộc vào môi trường sử dụng, khi sử dụng trong môi trường ô nhiễm hơn bình thường khả năng khử mùi sẽ giảm nhanh hơn bình thường. Trong những trường hợp này, chúng tôi khuyến khích bạn nên thay bộ lọc. (trang 12)

## CÁC TÍNH NĂNG

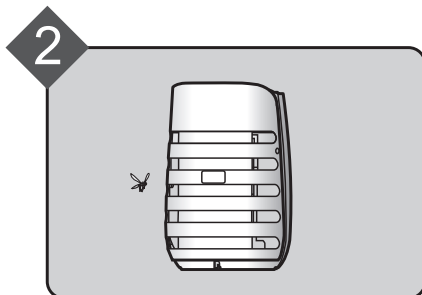
Máy lọc không khí có chức năng bắt muỗi bảo vệ sức khỏe cho gia đình của bạn bằng cách bắt muỗi và làm sạch không khí bằng công nghệ plasmacluster.

### Chức năng bắt muỗi không sử dụng hóa chất.

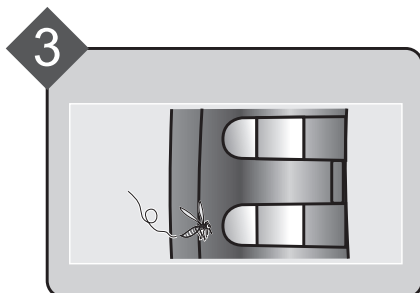
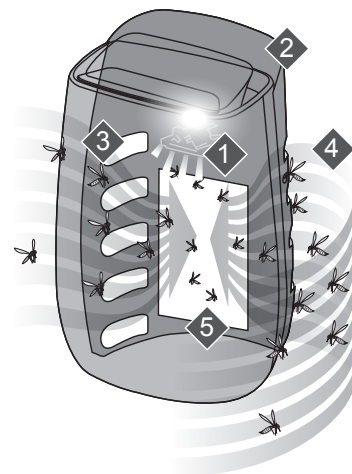
Với 5 bước hiệu quả\*1 dựa trên các nghiên cứu về thói quen của muỗi và bằng cách sử dụng chức năng máy lọc không khí.



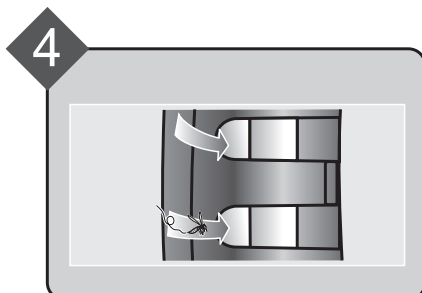
1 Thu hút muỗi bằng ánh sáng cực tím



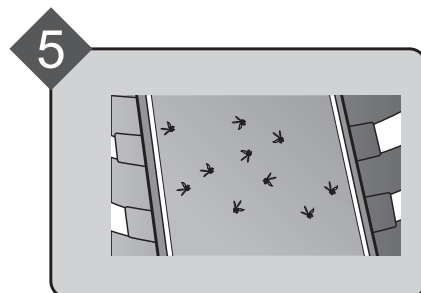
2 "Màu đen" thu hút muỗi



3 Thiết kế lõi vào lý tưởng



4 Luồng khí có lực hút mạnh mẽ



5 Tấm dính chặt

※ chế độ bắt muỗi có thể không bắt được hết muỗi trong phòng

\*1: Cộng tác với Viện Nghiên Cứu Y khoa, Malaysia.

## Plasmacluster 7000 mật độ cao

Plasmacluster xử lý không khí tương tự như cách thiên nhiên làm sạch môi trường bằng cách tạo ra sự cân bằng các ion dương và ion âm.

## Hệ thống lọc

Hút bụi\*<sup>2</sup>

Bộ lọc sơ cấp hút bụi và các hạt lớn khác lơ lửng trong không khí.

Khử mùi

Bộ lọc khử mùi hút nhiều mùi thông thường trong nhà.

Giảm phấn hoa & nấm mốc\*<sup>2</sup>

Bộ lọc HEPA hút 99,97% hạt có cỡ nhỏ 0,3 micro.

\*<sup>2</sup> Khi khí được hút qua hệ thống bộ lọc.

## Vận hành chế độ SƯƠNG MỜ tiện lợi khi có SƯƠNG MỜ

Chế độ SƯƠNG MỜ cho phép nhanh chóng loại bỏ SƯƠNG MỜ nhờ thể tích không khí cao.



## Vận hành êm ái, bắt muối trong khi bạn đang ngủ

Khi bạn chuyển sang chế độ NGỦ, thiết bị vận hành êm ái với đèn Plasmacluster Ion và đèn màn hình giám sát độ sạch tạt và đèn CỰC TÍM sáng yếu hơn, trong khi chức năng bắt muối vẫn hoạt động.



## NỘI DUNG

<b>CÁC HƯỚNG DẪN QUAN TRỌNG VỀ AN TOÀN</b> .....	VI-2
<b>TÊN PHỤ TÙNG</b> .....	VI-4
<b>LẮP BỘ LỌC VÀ TẮM DÍNH</b> .....	VI-6
<b>VẬN HÀNH</b> .....	VI-8
<b>VỆ SINH VÀ BẢO DƯỠNG</b> .....	VI-10
<b>THAY THẾ</b> .....	VI-12
<b>XỬ LÝ SỰ CỐ</b> .....	VI-14
<b>THÔNG SỐ KỸ THUẬT</b> .....	VI-15

Cảm ơn quý khách hàng đã mua máy lọc không khí SHARP. Vui lòng đọc kỹ sách Hướng dẫn sử dụng này. Trước khi sử dụng sản phẩm, hãy đọc kỹ phần: “Các hướng dẫn quan trọng về an toàn.”

Sau khi đọc xong, hãy cất ở nơi thuận tiện để tham khảo về sau.

Để tiện cho việc tham khảo, nên cất hướng dẫn ở nơi mà bạn có thể lấy ra đọc được bất cứ lúc nào.

# CÁC HƯỚNG DẪN QUAN TRỌNG VỀ AN TOÀN

Luôn tuân theo **các quy tắc an toàn cơ bản** khi sử dụng thiết bị, bao gồm các điều sau:

**CẢNH BÁO** – Luôn tuân thủ các điều sau để giảm nguy cơ gây ra điện giật, hỏa hoạn hoặc thương tích:

- Đọc tất cả các hướng dẫn trước khi sử dụng thiết bị.
- Chỉ dùng với nguồn điện 220-240 V.
- **Thiết bị này không dành cho những người (kể cả trẻ em) có thể chập, giắc quan hoặc tinh thần yếu hoặc những người thiếu kinh nghiệm và hiểu biết sử dụng, trừ khi có người bảo hộ an toàn hướng dẫn hoặc giám sát họ cách sử dụng thiết bị.**  
Trẻ em cần được giám sát để chắc chắn chúng không đùa nghịch với thiết bị.
- Nếu dây nguồn hỏng, phải được nhà sản xuất, trung tâm dịch vụ hoặc trung tâm bảo hành ủy quyền của Sharp hoặc người có chuyên môn tương tự thay thế để tránh gây nguy hiểm. Hãy liên lạc với trung tâm bảo hành ủy quyền gần nhất để được phục vụ khi có sự cố, điều chỉnh, hoặc sửa chữa.
- Đảm bảo rút phích điện khi thực hiện bảo dưỡng, khi tháo và gắn và thay thế bộ lọc và khi không sử dụng trong thời gian dài. Nếu không làm vậy có thể gây đoản mạch dẫn đến điện giật hoặc hỏa hoạn.
- Không sử dụng thiết bị nếu dây nguồn hay phích cắm bị hư hỏng hoặc nếu kết nối của ổ cắm bị lỏng.
- Thường xuyên làm sạch bụi ở phích cắm.
- Không đưa ngón tay hoặc các vật lạ vào các cửa khí vào hoặc cửa khí ra.
- Hãy cầm vào phích cắm khi rút dây, không được kéo sợi dây.  
Nếu không làm vậy có thể gây đoản mạch dẫn đến điện giật hoặc hỏa hoạn.
- Cẩn thận không làm hỏng dây nguồn, nếu không, có thể bị điện giật, bỏng hoặc hỏa hoạn.
- Không rút phích cắm khi tay ướt.

- Không đặt thiết bị gần hoặc trên các vật nóng như lò hoặc thiết bị đốt nóng, hoặc nơi có thể tiếp xúc với hơi nước.
- Không vận hành thiết bị trong phòng sử dụng bình xịt côn trùng. Không vận hành thiết bị trong phòng có nến dầu, khói hương, tia lửa từ thuốc lá, hoặc hóa chất trong không khí. Không vận hành thiết bị ở những nơi ẩm ướt, như phòng tắm.
- Hãy cẩn thận khi vệ sinh thiết bị. Chất tẩy rửa hoạt tính mạnh có thể làm hỏng lớp vỏ ngoài.
- Không để thiết bị tiếp xúc với nước. Làm vậy có thể gây đoản mạch hoặc điện giật.

**LƯU Ý** – Làm gì khi thiết bị gây nhiễu sóng đài hoặc TV

Nếu máy lọc không khí nhiễu sóng với đài hoặc TV, hãy thử một hoặc nhiều phương pháp sau:

- Chỉnh hoặc đặt lại vị trí của ăng ten thu sóng.
- Tăng khoảng cách giữa thiết bị và đài hoặc TV.
- Kết nối thiết bị với một ổ cắm khác mạch điện với ổ cắm của thiết bị nhận tín hiệu đài hoặc TV.
- Tham khảo ý kiến đại lý hoặc kỹ thuật viên đài hoặc TV có chuyên môn.

## CÁC CHÚ Ý VẬN HÀNH

- Không chặn cửa khí vào hoặc ra.
- Luôn vận hành thiết bị theo hướng thẳng đứng.
- Không tháo thiết bị khi đang vận hành.
- Khi tháo thiết bị, sử dụng tay cầm ở cả hai bên.
- Nếu thiết bị đặt ở trên sàn dễ bị hư hỏng, trên bề mặt không bằng phẳng, hoặc thảm dày, hãy nâng thiết bị lên khi tháo.
- Không vận hành thiết bị mà không có bộ lọc được lắp đúng.
- Không rửa hoặc dùng lại bộ lọc HEPA và bộ lọc khử mùi.  
Làm vậy sẽ không cải thiện được hiệu quả bộ lọc và có thể gây điện giật hoặc hỏng khi vận hành.
- Chỉ dùng khăn mềm để vệ sinh vỏ ngoài. Không sử dụng dung dịch hoặc chất tẩy rửa dễ bay hơi.  
Bề mặt thiết bị có thể bị hư hỏng hoặc nứt vỡ do ét xăng, sơn mỏng hơn hoặc bột đánh bóng. Ngoài ra, có thể gây hỏng cảm biến.
- Không chùi mạnh lên bộ lọc sơ cấp trong khi bảo dưỡng.
- Không nhìn trực tiếp vào ánh sáng cực tím. Ánh sáng cực tím đáp ứng các tiêu chuẩn của IEC (62471).

## CÁC CHÚ Ý LIÊN QUAN ĐẾN TẮM DÍNH

- Xử lý tấm dính một cách cẩn thận. Tránh để trẻ hoặc vật nuôi chạm vào bề mặt dính.
- Nếu keo bám vào tay hoặc quần áo, hãy tẩy bằng dầu ăn, rồi nhanh chóng rửa kỹ bằng xà phòng và nước.
- Bụi và bẩn tích tụ trên tấm dính có thể làm giảm hiệu quả của tấm dính.
- Nếu không có muối bám vào tấm dính, hãy thử đổi vị trí đặt thiết bị.
- Khi hủy bỏ sản phẩm, hãy hủy bỏ theo đúng luật và các quy định về hủy bỏ của chính quyền sở tại.
- Đây là một sản phẩm có loại keo dính tuyệt đối an toàn. Không có thành phần độc hại.

## HƯỚNG DẪN LẮP ĐẶT

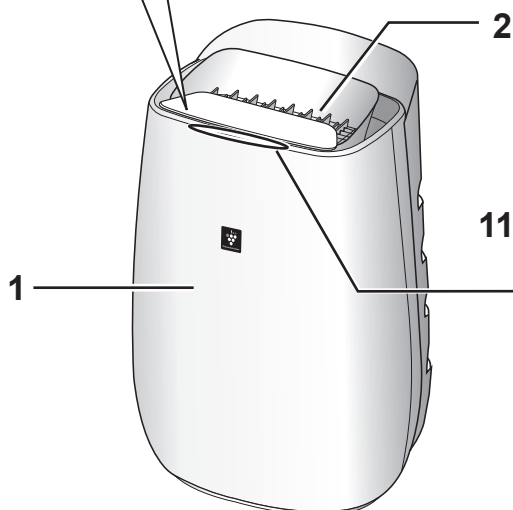
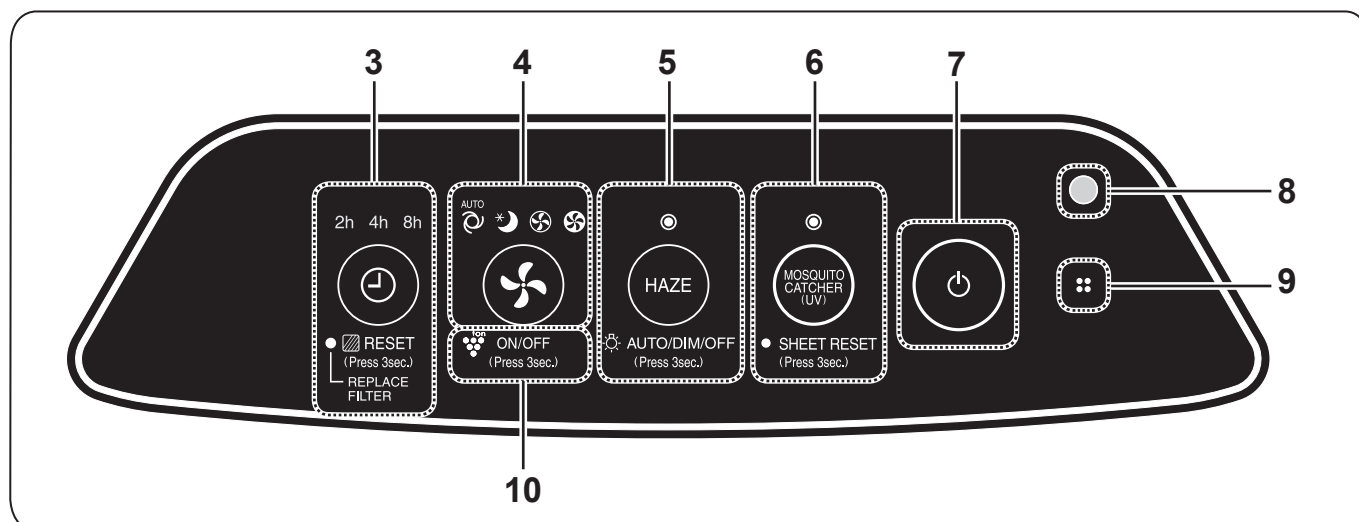
- Tránh những nơi mà bộ cảm biến tiếp xúc trực tiếp với gió.  
Làm vậy có thể khiến thiết bị bị hỏng.
- Tránh những nơi đồ nội thất, vải hoặc các vật dụng khác có thể tiếp xúc với thiết bị và gây trở ngại cho việc hút và thoát khí.
- Tránh những nơi thiết bị có thể đọng sương hoặc thay đổi nhiệt độ nhanh chóng. Nhiệt độ phòng thích hợp là 0 – 35 °C.
- Đặt thiết bị trên bề mặt bằng phẳng với không khí lưu thông đầy đủ.  
Khi đặt ở trên thảm dày, thiết bị có thể bị rung nhẹ.
- Tránh những nơi phát ra dầu mỡ hoặc khói dầu.  
Làm vậy có thể khiến vỏ ngoài thiết bị bị nứt vỡ và hỏng cảm biến.
- Hiệu suất hút bụi của thiết bị gần như không đổi ngay cả khi đặt sản phẩm cách tường 3 cm, tuy nhiên tường và sàn nhà xung quanh có thể bị bẩn. Hãy đặt thiết bị cách xa tường.  
Phần tường ngay đằng sau cửa khí ra có thể luôn bị bẩn. Khi sử dụng thiết bị trong thời gian dài ở cùng 1 vị trí, vệ sinh thường xuyên khu vực tường liền kề sản phẩm.

## HƯỚNG DẪN SỬ DỤNG BỘ LỌC

- Thực hiện các hướng dẫn trong sách hướng dẫn này để vệ sinh và bảo dưỡng bộ lọc đúng cách.

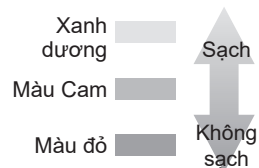
# TÊN CÁC BỘ PHẬN

## MẶT TRƯỚC



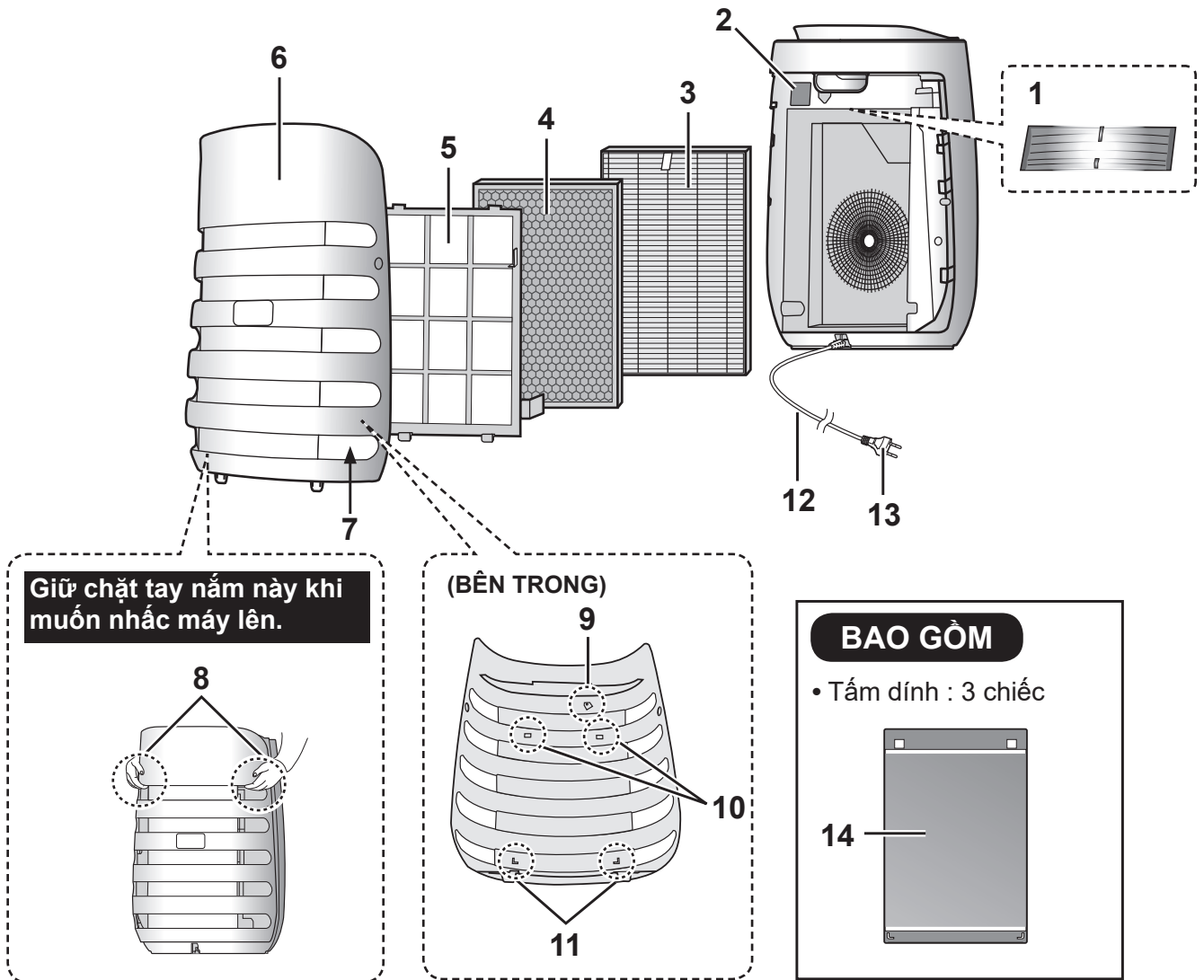
### Đèn giám sát độ sạch

Chỉ thị độ sạch của không khí trong phòng ở 3 mức theo thay đổi màu sắc.



1	Thiết bị
2	Cửa khí ra
3	Nút OFF TIMER (hẹn giờ tắt), Đèn báo (trắng) (Ấn 3 giây) Nút đặt lại bộ lọc, Đèn báo (màu cam)
4	Nút MODE (chế độ), Đèn báo (trắng) (Ấn 3 giây) Nút ON/OFF (bật/tắt) Plasmacluster Ion
5	Nút HAZE (sương mờ), Đèn báo chế độ SƯƠNG MỜ (trắng) (Ấn 3 giây) Nút Điều khiển đèn
6	Nút MOSQUITO CATCHER (bắt muỗi), Đèn báo (trắng) (Ấn 3 giây) Nút SHEET SET (cài đặt tấm dính), Đèn báo (màu cam)
7	Nút POWER ON/OFF (bật/tắt nguồn)
8	Cảm biến ánh sáng
9	Cảm biến mùi
10	Đèn báo Plasmacluster Ion (xanh dương)
11	Đèn giám sát độ sạch

## MẶT SAU

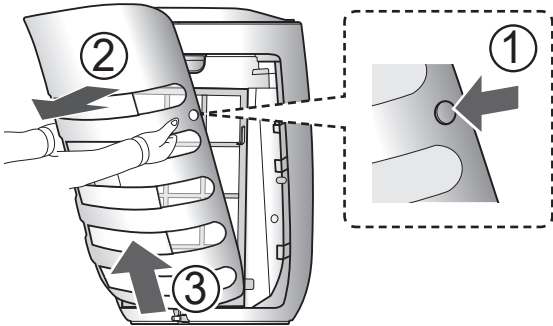


1	Ánh sáng cực tím
2	Cảm biến bụi / Bộ lọc cảm biến bụi
3	Bộ lọc HEPA
4	Bộ lọc khử mùi
5	Bộ lọc sơ cấp
6	Panô bắt muối
7	Cửa khí vào
8	Tay cầm
9	Nam châm
10	Neo móc trên
11	Neo móc dưới
12	Dây nguồn
13	Phích cắm (Hình dạng của phích cắm tùy thuộc vào từng quốc gia.)
14	Tấm dính

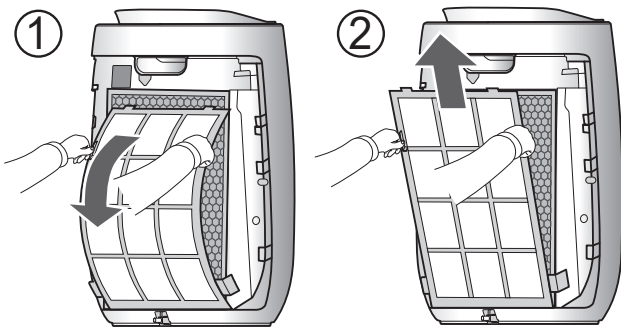
# LẮP BỘ LỌC VÀ TẮM DÍNH

Để đảm bảo chất lượng bộ lọc và tấm dính, các bộ phận đã được lắp đặt sẵn trong thiết bị và đóng trong túi nhựa. Chắc chắn tháo bộ lọc và tấm dính ra khỏi túi nhựa trước khi sử dụng thiết bị.

## 1 Tháo tấm bắt muối.



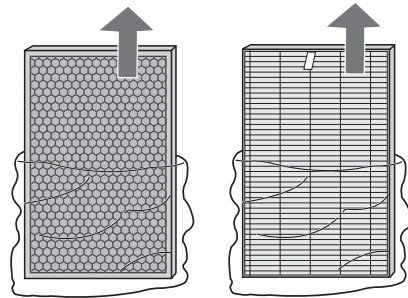
## 2 Cầm các vấu của bộ lọc sơ cấp và tháo bộ lọc.



## 3 Lấy bộ lọc ra.

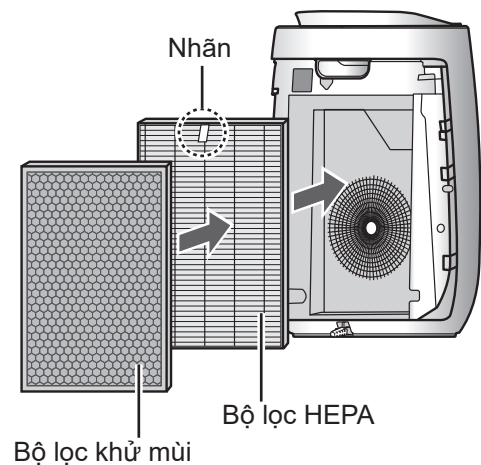


## 4 Lấy bộ lọc ra khỏi túi nhựa.

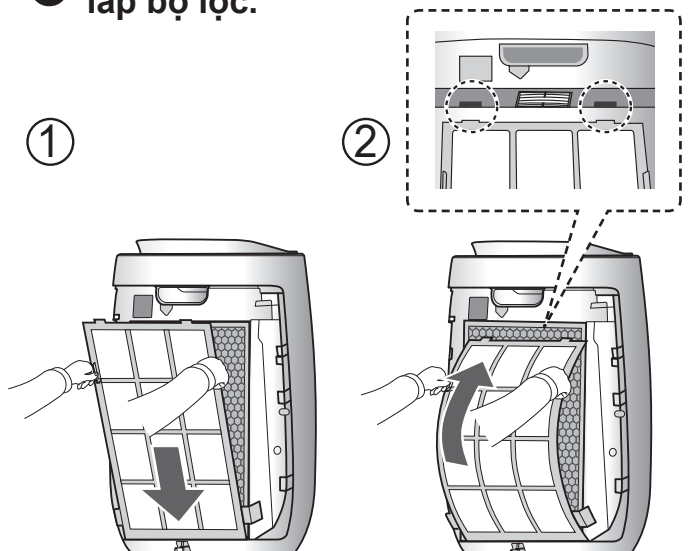


## 5 Đặt bộ lọc vào trong thiết bị.

Không lắp bộ lọc ngược nếu không thiết bị sẽ không hoạt động đúng.



## 6 Cầm các vấu của bộ lọc sơ cấp và lắp bộ lọc.

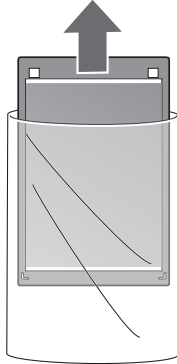




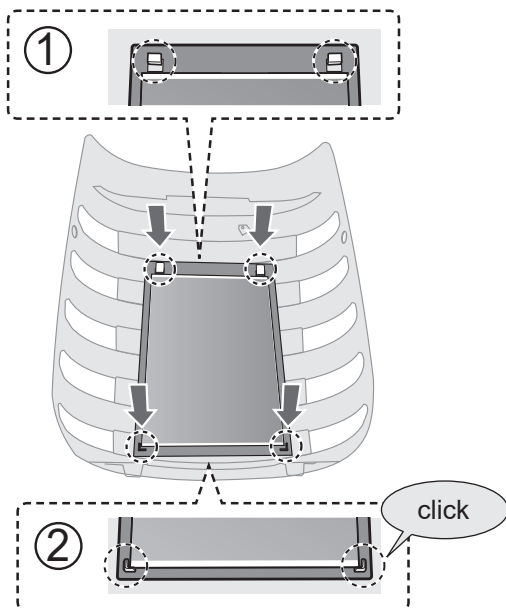


Đảm bảo rút phích cắm nguồn ra khỏi ổ cắm điện.

- 7** Lấy tấm dính ra khỏi túi nhựa.
- Bảo quản tấm dính bổ sung tránh xa ánh nắng mặt trời trực tiếp và trải phẳng với mặt có keo dính hướng lên trên.

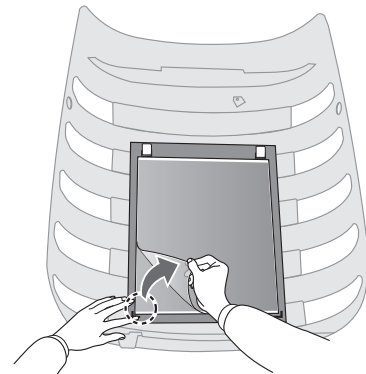


- 8**
- ① Treo tấm dính lên móc trên phía bên trong của tấm bắt muối.
  - ② Luồn vào bên trong neo móc dưới.

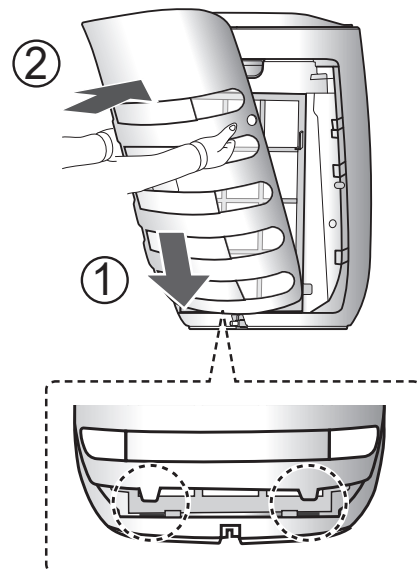


- 9** Từ góc tấm dính, từ từ bóc tấm phim bảo vệ ra.
- Thải bỏ tấm phim bảo vệ với rác thải có thể đốt được.
  - Đảm bảo phần đáy được cài hoàn toàn vào neo móc dưới.

**Cẩn thận không để tấm dính bám vào tóc hoặc quần áo.**



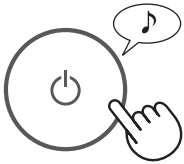
- 10** Lắp lại panô bắt muối từ phía trên.



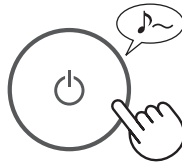
# VẬN HÀNH

## KHỞI ĐỘNG/DỪNG

### KHỞI ĐỘNG



### DỪNG



- Khi thiết bị bắt đầu vận hành, máy sẽ vẫn chạy ở chế độ trước đó khi được vận hành.

## SƯƠNG MỜ

Thiết bị vận hành ở tốc độ quạt CAO khoảng 60 phút và sau đó luân chuyển giữa mức thấp và cao cứ sau mỗi 20 phút.



10 phút: Mức quạt cao tối đa
50 phút: Mức quạt cao
20 phút: Mức quạt thấp
20 phút: Mức quạt cao

### LƯU Ý

- Plasmacluster Ion không thể chuyển sang "OFF" (tắt).
- Có thể đổi chế độ này sang chế độ khác khi đang vận hành. Tuy nhiên, chế độ HAZE sẽ không hoạt động sau khi đổi chế độ.

## TỐC ĐỘ QUẠT



### LƯU Ý


**TỰ ĐỘNG** <sup>AUTO</sup>

Tốc độ quạt được điều khiển tự động dựa trên 3 phát hiện. (Bụi/Mùi/Sáng)

**NGỦ** \*

Thiết bị sẽ hoạt động rất êm và tốc độ quạt được tự động chuyển đổi tùy theo lượng tạp chất trong không khí và độ sáng của phòng.

Đèn báo Plasmacluster Ion/Màn hình giám sát độ sạch tắt và đèn CỰC TÍM tự động tối.

Ngay cả khi đèn báo tắt, Plasmacluster Ion vẫn được phát tán vào trong không khí trừ khi tắt Plasmacluster Ion bằng .

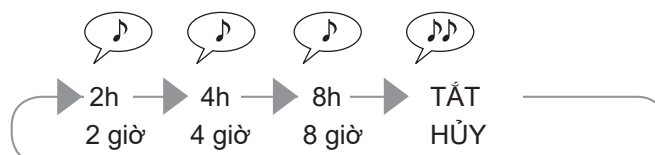
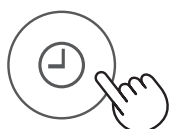
 ON/OFF  
(Press 3sec.)

## HẸN GIỜ TẮT

Chọn độ dài thời gian mong muốn khi thiết bị đã được bật. Thiết bị tự động dừng khi tới thời gian đã chọn.

(khi BẬT thiết bị)

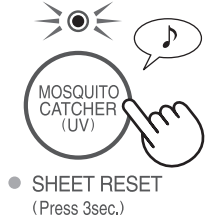
2h 4h 8h



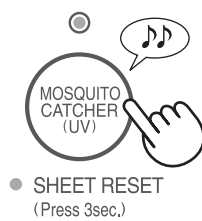
## CÔNG CỤ BẮT MUỖI

Sử dụng chức năng này để bắt muỗi.

### BẬT ánh sáng cực tím



### TẮT ánh sáng cực tím



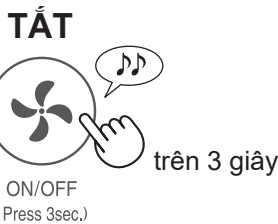
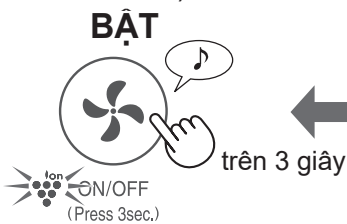
## LƯU Ý

- Khi đèn SHEET RESET (cài đặt tấm dính) sáng, vui lòng thay thế tấm dính mới.
- Chọn chế độ Tối đa để bắt muỗi hiệu quả hơn.  
Thế tích khí càng cao, bắt muỗi càng dễ dàng hơn.
- Nếu tấm bắt muỗi tắt, đèn BẮT MUỖI và đèn CỰC TÍM tự động tắt.  
Kiểm tra xem tấm bắt muỗi có được gắn đúng cách hay không.
- Chúng tôi khuyến cáo bạn vận hành máy lọc không khí này 24 giờ liên tục để tối ưu hóa chức năng của nó trừ trường hợp thay thế bộ lọc và tấm dính.

## BẬT/TẮT PLASMACLUSTER ION

Khi BẬT chức năng Plasmacluster Ion, đèn Plasmacluster Ion sẽ sáng. (xanh dương)

(khi BẬT thiết bị)



## LƯU Ý

- Khi thiết bị bắt đầu vận hành, máy sẽ vẫn chạy ở chế độ vận hành trước đó.

## ĐIỀU CHỈNH ĐỘ NHẠY ĐẦU DÒ CỦA BỘ CẢM BIẾN

Bạn có thể thay đổi độ nhạy của cảm biến bụi / cảm biến mùi và cảm biến ánh sáng.

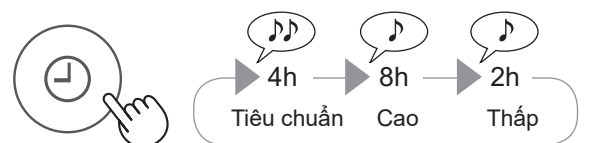
**1** (khi TẮT thiết bị)



**2** Cảm biến bụi/ Cảm biến mùi



Cảm biến ánh sáng



**3**

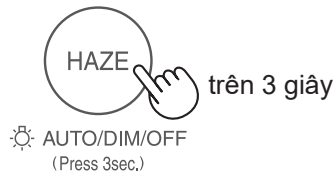
## LƯU Ý

- Nếu không ấn nút TẮT nguồn trong vòng 8 giây kể từ khi điều chỉnh độ nhạy của bộ cảm biến, thiết lập sẽ được tự động lưu.
- Thiết lập độ nhạy của cảm biến sẽ được lưu ngay cả khi thiết bị đã được rút phích cắm điện.

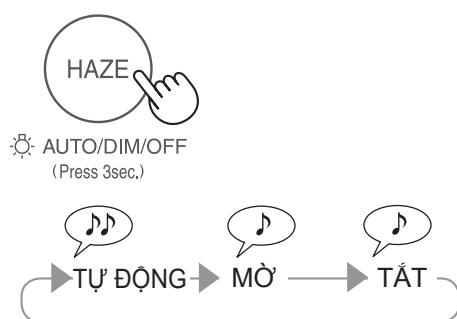
## ĐIỀU KHIỂN ĐÈN

Bạn có thể thiết lập TẮT Đèn giám sát độ sạch/ đèn Plasmacluster Ion khi chúng đang sáng.

### 1 (khi BẬT thiết bị)



### 2



## LƯU Ý

- Nếu không ấn nút HAZE (sương mờ) trong vòng 8 giây, thiết lập sẽ được tự động lưu.
- Khi thiết bị bắt đầu vận hành, máy sẽ vẫn chạy ở chế độ vận hành trước đó.

## TỰ ĐỘNG

Đèn tự động chuyển ON (bật) hoặc OFF (tắt), dựa trên độ sáng của phòng.

Phòng đang sáng: đèn BẬT  
Phòng đang tối: đèn TẮT

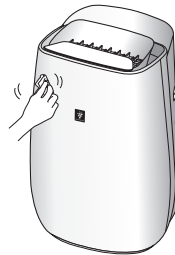
## TẮT

Khi đặt về "OFF" (tắt), đèn "DIM" (mờ) sáng trong 8 giây sau khi máy bắt đầu vận hành và sau đó đèn sẽ tắt và đèn CỰC TỐI tối.

Để tối ưu hiệu quả làm việc của máy lọc không khí, hãy làm sạch định kỳ thiết bị bao gồm cả bộ lọc.

Đảm bảo rút phích cắm điện ra khỏi ổ cắm điện trước khi thực hiện bất cứ công việc bảo dưỡng nào.

## THIẾT BỊ



### Lau chùi bằng giẻ khô và mềm

Hãy dùng giẻ khô và mềm thấm ướt để lau chùi các vết bẩn cứng đầu.

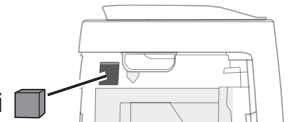
## CHÚ Ý

- Không sử dụng dung dịch dễ bay hơi Benzen, dung môi pha sơn, bột đánh bóng, v.v có thể làm hư hại bề mặt thiết bị.
- Không sử dụng chất tẩy rửa Thành phần chất tẩy rửa có thể làm hư hại thiết bị.

## CẢM BIẾN

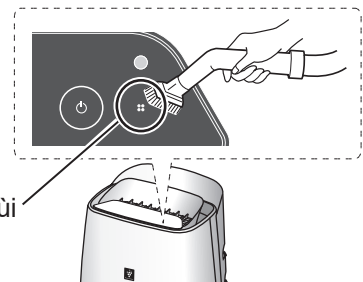
### Cảm biến bụi

Bộ lọc cảm biến bụi



1. Tháo Panô bắt muối.
2. Tháo bộ lọc cảm biến bụi.
3. Nếu bộ lọc bẩn, có thể rửa bằng nước và để khô hoàn toàn.

### Cảm biến mùi



Cảm biến mùi

Nhẹ nhàng loại bỏ bụi bẩn ra khỏi cảm biến mùi bằng cách sử dụng một máy hút bụi hoặc dụng cụ tương tự.

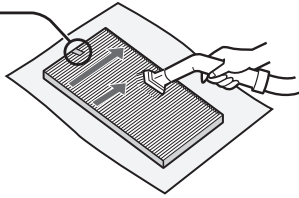


Đảm bảo rút phích cắm nguồn ra khỏi ổ cắm điện.

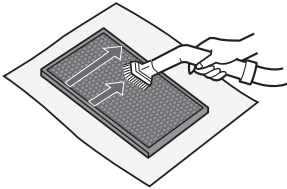
## CÁC BỘ LỌC

### Bộ lọc HEPA

Nhãn



### Bộ lọc khử mùi



Nhẹ nhàng loại bỏ bụi bẩn ở bộ lọc HEPA và bộ lọc khử mùi bằng máy hút bụi hoặc dụng cụ tương tự.

### CHÚ Ý

Không RỬA bằng nước và PHƠI KHÔ dưới ánh nắng mặt trời. Các bộ lọc dễ vỡ, nên cẩn thận không tác động quá nhiều lực.

- Bộ lọc HEPA

Chỉ bảo dưỡng mặt có nhãn.

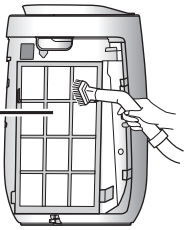
Không vệ sinh mặt đối diện; nếu không, bộ lọc sẽ bị hỏng.

- Bộ lọc khử mùi

Có thể bảo dưỡng cả hai mặt.

## Bộ lọc sơ cấp

Bộ lọc sơ cấp



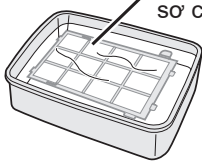
Nhẹ nhàng loại bỏ bụi bẩn ra khỏi bộ lọc sơ cấp bằng cách sử dụng một máy hút bụi hoặc dụng cụ tương tự.

### CHÚ Ý

Không dùng lực quá mạnh khi cọ bộ lọc sơ cấp.

### LƯU Ý

#### Cách loại bỏ vết bẩn cứng đầu

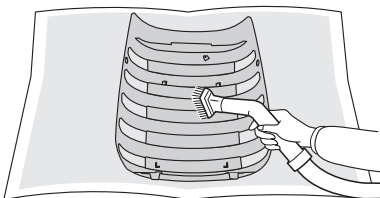


1. Thêm một lượng chất tẩy rửa dùng cho nhà bếp vào nước và ngâm khoảng 10 phút.

2. Rửa sạch chất tẩy rửa này bằng nước sạch.

3. Để bộ lọc khô hoàn toàn ở nơi thông thoáng.

## Panô bắt muối



Tháo tấm dính, nhẹ nhàng hút bụi khỏi tấm bắt muối bằng máy hút bụi hoặc dụng cụ tương tự.

### CHÚ Ý

Không sử dụng lực quá lớn khi cọ tấm bắt muối.

# THAY THẾ

## CÁC BỘ LỌC

### Thời gian thay thế

Khi đèn báo thay bộ lọc bật\*

**Bộ lọc HEPA**

Model : FZ-F50HFE

**Bộ lọc khử mùi**

Model : FZ-F50DFE

\*Đèn báo thay bộ lọc sẽ bật sau khoảng 17.500 giờ ở chế độ ngủ.  
( 2 năm × 24 giờ = 17.500)

Tuổi thọ bộ lọc thay đổi tùy vào chế độ vận hành.

### Tuổi thọ bộ lọc

Tuổi thọ bộ lọc và thời gian thay thế phụ thuộc vào điều kiện hút 5 túi thuốc lá mỗi ngày và hiệu suất hút bụi bị giảm đi một nửa so với hiệu suất của bộ lọc mới.

Tuổi thọ bộ lọc thay đổi theo môi trường của phòng, cách sử dụng và vị trí đặt thiết bị.

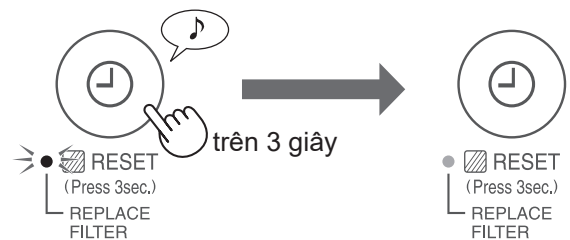
Chúng tôi khuyến cáo thay thế bộ lọc thường xuyên hơn nếu sản phẩm được sử dụng trong nhiều bụi bẩn hơn so với sử dụng thông thường trong gia đình.

- Bộ lọc HEPA : Khoảng 2 năm sau khi mở ra
- Bộ lọc khử mùi : Khoảng 2 năm sau khi mở ra

### Đèn báo thay bộ lọc

Thay thế bộ lọc theo các chỉ dẫn thay thế bộ lọc.

Sau khi thay, cắm phích cắm vào ổ cắm điện và ấn nút POWER (BẬT/TẮT NGUỒN), và nút OFF TIMER (hẹn giờ tắt) trong 3 giây.

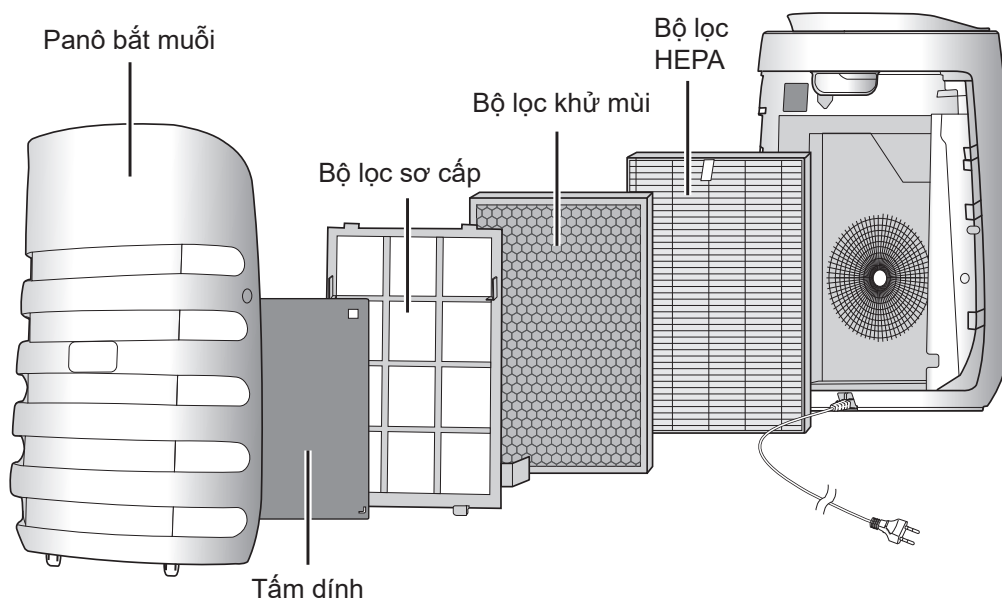


### Thải bỏ bộ lọc

Vui lòng thải bỏ bộ lọc theo đúng quy định và luật thải bỏ của địa phương.

- Vật liệu bộ lọc HEPA:
- Polypropylene
  - Polyethylene

- Vật liệu bộ lọc khử mùi:
- Polypropylene
  - Polyester
  - Than hoạt tính





Đảm bảo rút phích cắm nguồn ra khỏi ổ cắm điện.

## Tấm dính

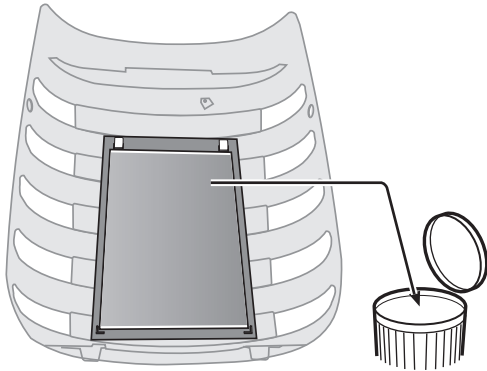
### Thời gian thay thế

Khi đèn SHEET RESET (cài đặt tấm dính) bật.

Model : FZ-ST52M

Thay thế tấm dính theo hướng dẫn vận hành kèm theo tấm dính thay thế.

Hãy cẩn thận khi vứt bỏ tấm dính đã sử dụng.



Không chạm vào mặt dính.

Sau khi thay, cắm phích cắm vào ổ cắm điện và ấn nút POWER (BẬT/TẮT NGUỒN), và nút MOSQUITO CATCHER (bắt muỗi) trong 3 giây.



Đèn SHEET RESET (cài đặt tấm dính) sáng khoảng 2 tháng (24 giờ x 60 ngày) sau đó khi cắm phích vào ổ cắm điện.

Thời gian thay thế khoảng 2 tháng nhưng có thể sớm hơn tùy theo môi trường của phòng.

Thỉnh thoảng hãy kiểm tra tấm dính.

- Vui lòng tham khảo ý kiến của đại lý nơi bạn mua hàng để mua tấm dính thay thế.
- Chỉ sử dụng tấm dính được thiết kế dành riêng cho sản phẩm này.

### Hủy bỏ tấm dính


Vui lòng hủy bỏ tấm dính đã dùng đúng theo quy định địa phương.

Vật liệu dùng cho tấm dính :


- Chất dính: chất đồng trùng hợp acrylic
- Tấm dính: giấy
- Tấm khung: Polycarbonate

# XỬ LÝ SỰ CỐ


Trước khi gọi bảo hành, hãy xem lại các bảng xử lý sự cố sau đây, có thể các sự cố không phải là hư hỏng.

HIỆN TƯỢNG	KHẮC PHỤC (không phải là hư hỏng)
Không thể loại bỏ mùi và khói thuốc.	<ul style="list-style-type: none"> <li>Bộ lọc vẫn ở trong túi nhựa? Vui lòng lấy ra ngoài. (trang 6)</li> <li>Thay thế bộ lọc nếu chúng quá bẩn. (trang 12)</li> </ul>
Đèn giám sát độ sạch sáng màu xanh dương ngay cả khi không khí không sạch.	<ul style="list-style-type: none"> <li>Không khí có thể nhiễm bẩn tại thời điểm thiết bị được cắm nguồn. Rút phích cắm, đợi 1 phút, sau đó cắm lại thiết bị.</li> </ul>
Đèn giám sát độ sạch sáng màu xanh dương ngay cả khi không khí không sạch.	<ul style="list-style-type: none"> <li>Hoạt động của cảm biến bị ảnh hưởng nếu các khe hở của bộ cảm biến bụi bị bẩn hoặc tắc. Nhẹ nhàng lau sạch các khe hở bộ cảm biến bụi. (trang 10)</li> </ul>
Thiết bị phát ra tiếng kêu lách tách hoặc tích tắc.	<ul style="list-style-type: none"> <li>Có thể nghe thấy tiếng kêu lách tách hoặc tích tắc khi thiết bị đang tạo ra ion.</li> </ul>
Không khí xả ra có mùi.	<ul style="list-style-type: none"> <li>Hãy kiểm tra xem bộ lọc có quá bẩn hay không.</li> <li>Vệ sinh hoặc thay thế bộ lọc.</li> </ul>
Thiết bị không hoạt động đúng khi có khói thuốc lá trong không khí.	<ul style="list-style-type: none"> <li>Bộ cảm biến có khó phát hiện ra mùi khói thuốc lá do vị trí lắp đặt của thiết bị không?</li> <li>Khe hở bộ cảm biến bụi có bị chặn hoặc tắc không? (Trong trường hợp này, vệ sinh khe hở.) (trang 10)</li> </ul>
Đèn giám sát độ sạch tắt.	<ul style="list-style-type: none"> <li>Kiểm tra xem có phải đã chọn chế độ TẮT đèn không. Ấn  trong 3 giây để đèn sáng. (trang 10)</li> <li>Kiểm tra xem có chọn chế độ NGỦ không. Màn hình giám sát độ sạch/đèn Plasmacluster Ion tự động tắt sau khi chọn chế độ NGỦ.</li> </ul>
Ánh sáng Đèn giám sát độ sạch đổi màu thường xuyên.	<ul style="list-style-type: none"> <li>Ánh sáng Đèn giám sát độ sạch tự động thay đổi màu do cảm biến bụi và cảm biến mùi phát hiện ra không khí không sạch.</li> </ul>
Đèn NGỦ nhấp nháy.	<ul style="list-style-type: none"> <li>Lỗi mô tơ quạt. TẮT nguồn. Đợi 1 phút sau đó BẬT nguồn.</li> </ul>
TỰ ĐỘNG KHỞI ĐỘNG LẠI	<ul style="list-style-type: none"> <li>Ngay cả khi rút phích cắm hoặc ngắt cầu dao khi đang vận hành, thiết bị sẽ khởi phục lại chế độ vận hành và cài đặt trước đó nếu có điện trở lại.</li> </ul>


**BẬT(mặc định)**  
(khi TẮT thiết bị)







(liên tục trong khoảng hơn 3 giây)



**TẮT**  
(khi TẮT thiết bị)



(liên tục trong khoảng hơn 3 giây)

Nếu các đèn , , ,  sáng khoảng 8 giây, cài đặt hoàn tất.



HIỆN TƯỢNG	KHẮC PHỤC (không phải là hư hỏng)
Đèn BẮT MUỐI và đèn CỰC TÍM tắt.	<ul style="list-style-type: none"> <li>Nếu panô bắt muối tắt hoặc không được cài đặt đúng cách, đèn BẮT MUỐI và đèn CỰC TÍM tự động tắt nhờ cảm biến từ tính. Kiểm tra xem panô bắt muối có được gắn đúng cách hay không.</li> </ul>
Đèn SHEET RESET (cài đặt tấm dính) bật.	<ul style="list-style-type: none"> <li>Đã đến lúc thay thế tấm dính. Hãy thay tấm dính mới. Sau đó, ấn nút MOSQUITO CATCHER (bắt muỗi) khoảng 3 giây.</li> </ul>
Không có muối mắc trên tấm dính.	<ul style="list-style-type: none"> <li>Cửa sổ hoặc cửa đi bị đóng?</li> <li>Có phải bạn đặt máy ở nơi có luồng gió như điều hòa không khí hoặc cánh quạt hay không? ⇒ Hãy thử đặt lại thiết bị sang vị trí khác.</li> </ul>
Khi keo dính bám trên quần áo, da, sàn nhà, v.v.	<ul style="list-style-type: none"> <li>Lau bằng dầu ăn, sau đó rửa bằng xà phòng và nước.</li> </ul>
Đèn MOSQUITO CATCHER (bắt muỗi) nhấp nháy.	<ul style="list-style-type: none"> <li>Đèn CỰC TÍM bị hỏng. Hãy liên hệ trung tâm bảo hành ủy quyền của Sharp.</li> </ul>

## THÔNG SỐ KỸ THUẬT

Nguồn điện		220-240V 50-60Hz		
Quạt Tốc độ Vận hành	Điều chỉnh tốc độ quạt	TỐI ĐA	TRUNG BÌNH	NGỦ*1
	Tốc độ quạt	240m <sup>3</sup> /giờ	186m <sup>3</sup> /giờ	48~120m <sup>3</sup> /giờ
	Công suất danh định	23W	14W	4,5~7,5W
	Chế độ chờ	0,9W		
Diện tích phòng khuyến nghị		~30m <sup>2</sup> *2		
Diện tích phòng khuyến nghị cho Plasmacluster Ion mật độ cao		~23m <sup>2</sup> *3		
Chiều dài dây nguồn		2,0m		
Kích thước		397mm(Rộng)x289mm(Sâu)x591mm(Cao)		
Khối lượng		6,9kg		

\*1 Tốc độ quạt được chuyển đổi tự động tùy theo lượng tạp chất trong không khí và độ sáng của phòng.

\*2 Diện tích phòng phù hợp khi thiết bị hoạt động với tốc độ quạt tối đa.

• Cho biết không gian thích hợp để loại bỏ lượng bụi nhất định trong khoảng thời gian 30 phút (JEM1467).

\*3 Diện tích phòng mà mật độ ion đạt được xấp xỉ 7000 ion trên một centimet khối tại trung tâm phòng (ở độ cao cách sàn nhà 1,2 m) khi sản phẩm đặt cách tường và vận hành ở công suất TRUNG BÌNH.

### Chế độ chờ

Các mạch điện vẫn hoạt động khi ta cắm điện, khi đó sản phẩm tiêu thụ công suất ở chế độ chờ.

Để tiết kiệm điện, hãy rút dây nguồn khi không sử dụng thiết bị.

## 请在使用全新空气净化器前阅读

空气净化器通过进风口吸入室内空气，使其流经主机内的前置过滤网、祛味过滤网和 HEPA 过滤网，然后通过出风口释放空气。颗粒经过时，HEPA 过滤网可去除 99.97% 的小至 0.3 微米的颗粒，还能帮助吸收异味。

空气流经时，祛味过滤网逐渐吸收异味。

随时间推移，过滤网吸收的部分异味可能会分解，造成其他异味。

根据使用环境的差异，尤其是在极端环境（较通常的家居使用环境远为恶劣）中使用主机时，这些异味会在比预期更短的时间内变得更为强烈。如果仍存在这些异味，请更换过滤网。

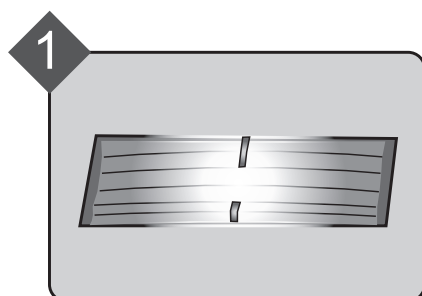
(第 12 页)

## 特点

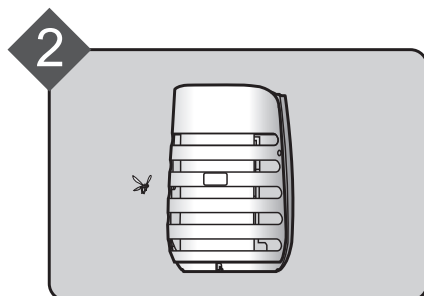
带捕蚊功能的空气净化器可保护您和家人的健康，利用净离子群技术捕捉蚊子和净化空气。

### 用不含杀虫剂的材料捕捉蚊子。

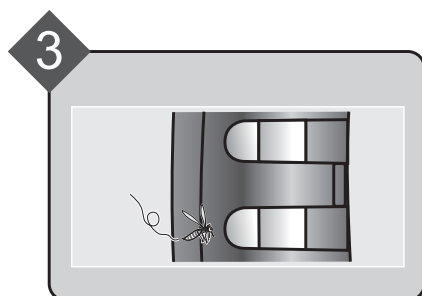
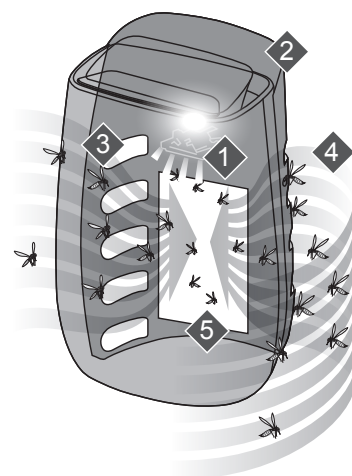
5 个有效步骤 \*1 以调查结果——蚊子习惯为基础，并使用空气净化器功能。



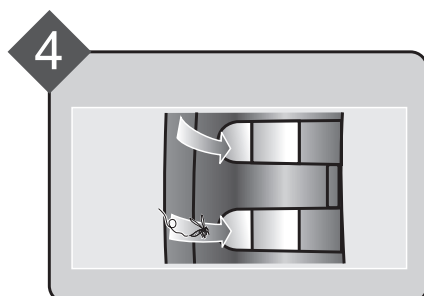
紫外线灯吸引蚊子



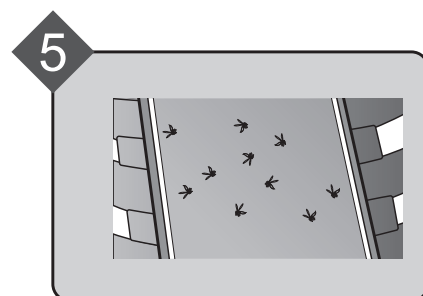
蚊子喜爱的黑色



理想入口设计



强大的气流和吸力



强力胶板

※ 捕蚊模式可能无法捕捉完房间内的所有蚊子。

\*1: 联合马来西亚医疗研究机构发布

## 高密度离子簇 7000

通过采用类似自然界清洁环境的方式，净离子群释放平衡的正负离子来清洁空气。

## 过滤系统

吸附灰尘 \*2

前置过滤网吸附灰尘和空气中的其他较大颗粒。

减少异味

祛味过滤网能吸收多种常见家居异味。

减少花粉和霉菌 \*2

HEPA 过滤网能吸附 99.97% 的小至 0.3 微米的颗粒。

\*2 通过过滤网系统吸入空气时。

## 当存在烟霾时，可进行方便的烟霾操作。

烟霾模式能够利用大量空气快速除去烟霾。



## 在睡眠时静音捕捉蚊子

当切换到睡眠模式时，它静音运行，净离子群和清洁度侦测器指示灯关闭，并且紫外线灯亮度降低，而捕蚊功能仍然开启。



## 目录

重要安全事项 .....	ZH-2
各部件名称 .....	ZH-4
过滤网和胶板安装 .....	ZH-6
操作 .....	ZH-8
保养与维护 .....	ZH-10
更换 .....	ZH-12
维修前的检查事项 .....	ZH-14
规格 .....	ZH-15

感谢您购买 SHARP 空气净化器。  
请仔细阅读本手册。在使用本产品前，请确保已阅读以下章节：“重要安全事项”。  
阅读本手册后，请保存在方便的位置，以供日后参考。  
为方便您参考，我们建议您将本手册放在您能随时查阅的地方。

# 重要安全事项

**使用电器设备时，务必遵守基本安全预防措施，包括以下各方面：**

**警告** – 为了减少触电、火灾或受伤等风险，务必遵守以下要求：

- 请于使用主机前阅读所有指引。
- 仅使用 220-240 伏电源插座。
- **本设备不适合身体、感官或精神能力欠佳或缺乏经验常识的人士（包括儿童）使用，除非负责其安全的人员就本设备的使用给予相关监督和指导。**  
**儿童应受到适当的监管，以确保不会将本设备当作玩具。**
- **如果电源线损坏，必须由制造商、其服务代理、夏普核准的服务中心或具有同等资格的人员负责更换，以免发生危险。当需要调校、维修或出现问题时，请与最近的服务中心联系。**
- **进行保养时、拆装和更换过滤网以及长期不使用时，请务必拔下电源插头。否则会造成短路，进而引发触电或火灾。**
- 如果电源线或插头已损坏，或墙上的电源插座已松脱，请勿使用主机。
- 定期清除电源插头上的灰尘。
- 请勿将手指或异物插入进风口、出风口等缝隙处。
- 当移除电源插头时，必须紧握插头，不要拉扯电线。  
否则会造成短路，进而引发触电或火灾。
- 请小心，不能有损坏电源线和插头的行为，否则可能会导致电击、温度过高或火灾。
- 切勿以湿手接触电源插头。

- 请勿将主机靠近或放在热源物体上（如炉灶或暖炉或可能接触到蒸气的地方）。
- 在房间使用喷雾杀虫剂时，请勿使用本机。房间内有油渣、烧香、点烟或空气中有化学气味时，也不要使用本机。亦不要在浴室等可能被淋湿的地方使用本机。
- 清洁主机时请小心。强力腐蚀性清洁剂可能会损坏机件外部。
- 请勿使主机接触水源。否则会造成短路或触电。

**注意** – 如果主机对收音机或电视的接收造成干扰

如果本空气净化器对收音机或电视的接收造成干扰，请尝试下列一项或多项措施：

- 调整或重新放置接收天线。
- 加大主机与收音机或电视之间的距离。
- 将本设备的电源与收音机或电视接收器的电源连接到不同的插座上。
- 咨询经销商或专业的收音机或电视技术人员。

## 操作的注意事项

- 切勿遮挡或堵塞进风口或出风口。
- 对主机进行操作时，务必使其处于直立状态。
- 当主机处于运行状态时，切勿移动主机。
- 移动主机时，应使用本机两侧的手柄。
- 如果主机放置在容易损坏的地面、不平整的表面或厚地毯上，挪动时先将其提起。
- 请勿在未正确安装过滤网的情况下操作主机。
- 请勿清洗和重复使用 HEPA 过滤网和祛味过滤网。  
否则无法改善过滤网的使用效果，还会引发触电或操作故障。
- 仅可使用柔软的布对本机外部进行清洁。  
请勿使用挥发性液体或清洁剂。  
轻质汽油、涂料稀释剂或抛光粉会导致主机表面受损或龟裂。此外，还会引发传感器故障。
- 清洁过程中，请勿用力擦洗前置过滤网。
- 切勿直视紫外线灯。  
紫外线灯符合 IEC (62471) 标准。

## 胶板的注意事项

- 胶板需小心处理。防止儿童或宠物触摸粘性表面。
- 如果手或衣服上不慎沾到胶水，可先涂些食用油，再用肥皂水冲洗。
- 如果胶板上积有灰尘和污垢，其功效可能会降低。
- 如果胶板上没有粘到蚊子，请尝试更换摆放位置。
- 弃置时，请按照当地法律和法规进行处理。
- 这是一款绝对安全的胶粘型产品。不含有毒成分。

## 安装指南

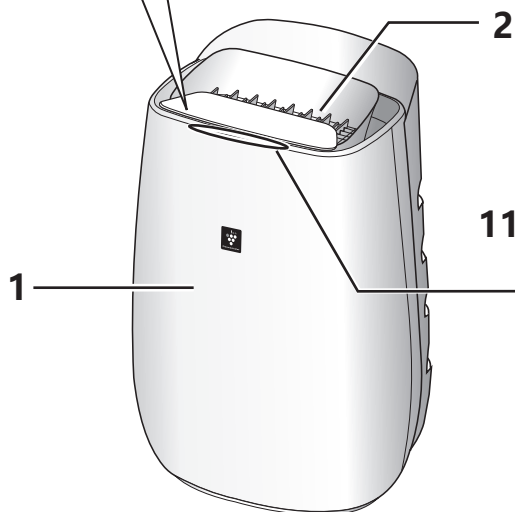
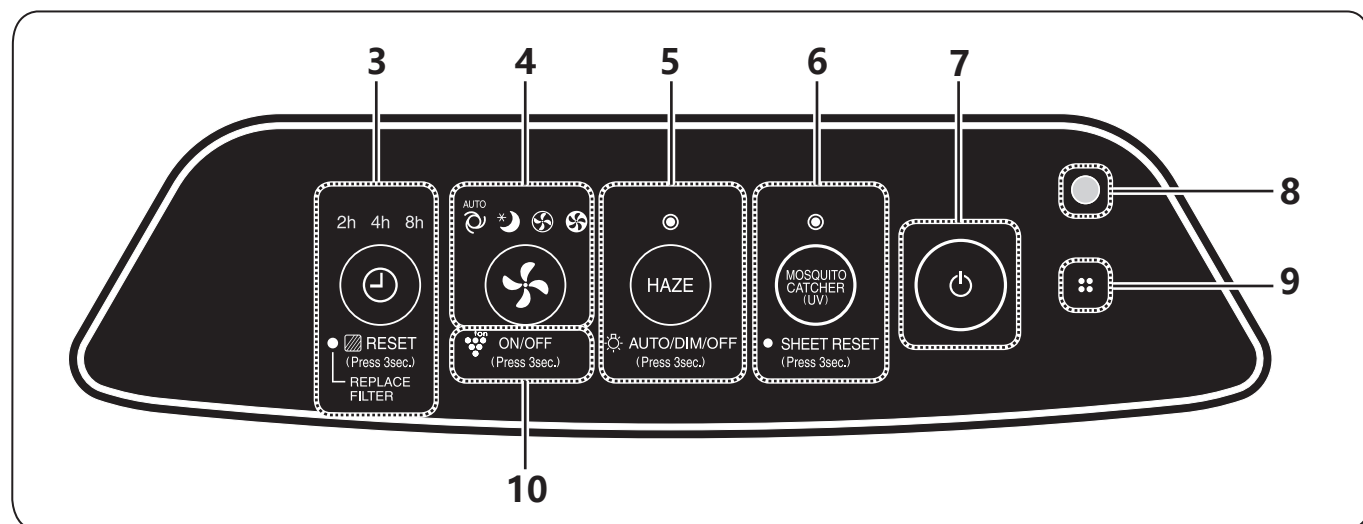
- 请勿安装在传感器直接对住风口的地方。否则会导致主机出现故障。
- 避免在有可能与家具、织物或其他物品接触的位置使用主机，否则可能无法保证进风口或出风口的通畅。
- 请勿安装在由于温度剧烈变化而导致主机直接暴露于冷凝环境的地方。适宜的室温为 0 – 35 °C。
- 将主机放置在稳固的地面上，确保良好的通风条件。  
放置在厚地毯上时，主机可能出现微微振动。
- 避免放置在产生油脂或含油烟雾的地方。否则会导致主机表面裂开以及传感器发生故障。
- 即使在靠近墙壁 3 厘米的地方放置主机，除尘功能也能使用，但周围的墙壁和地板可能会变脏。请将主机远离墙壁放置。  
否则经过一段时间后，正对出风口后方的墙壁可能会变脏。在相同位置长期使用主机时，请定期清洁附近的墙壁。

## 过滤网指南

- 遵照本手册中的指示，正确保养和清洁过滤网。

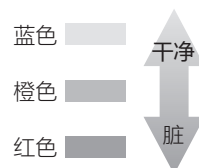
# 各部件名称

## 前面



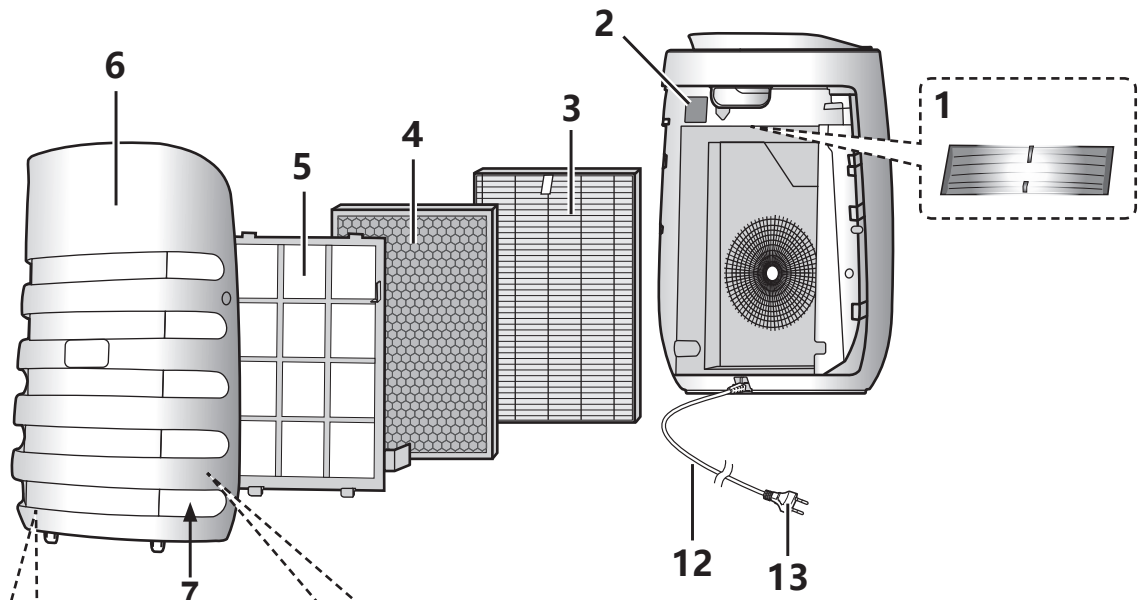
### 清洁度侦测器

它指示室内的空气纯度用 3 个级别颜色变化。

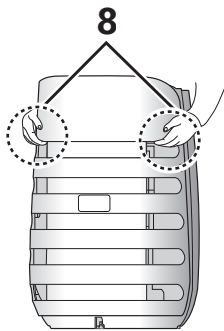


1	主机
2	出风口
3	关机定时按钮、指示灯（白色） （按住 3 秒钟） 过滤器重置按钮、 过滤网更换指示灯（橙色）
4	模式按钮、指示灯（白色） （按住 3 秒钟） 净离子群开 / 关按钮
5	烟霾模式按钮、指示灯（白色） （按住 3 秒钟） 灯光控制按钮
6	捕蚊按钮、指示灯（白色） （按住 3 秒钟） 胶板重置按钮， 指示灯（橙色）
7	电源开 / 关按钮
8	光线传感器
9	异味传感器
10	净离子群指示灯（蓝色）
11	清洁度侦测器

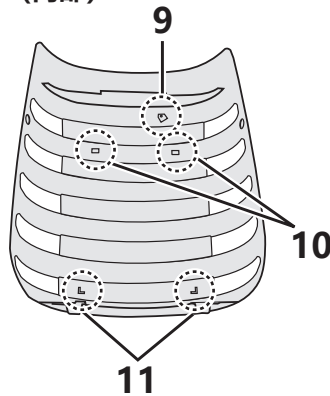
# 背面



握住此手柄来提起设备。

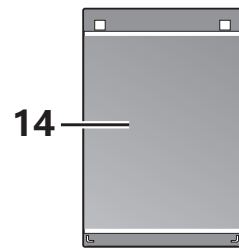


(内部)



## 附件

• 胶板：3片

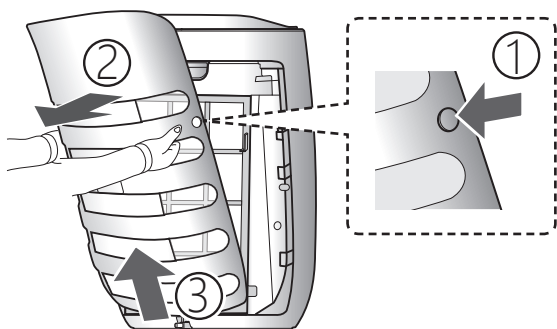


1	紫外线灯
2	灰尘传感器 / 灰尘传感器过滤网
3	HEPA 过滤网
4	祛味过滤网
5	前置过滤网
6	捕蚊面板
7	进风口
8	手柄
9	磁铁
10	顶部挂钩
11	底部挂钩
12	电源线
13	电源插头 (插座形状根据国家提供)
14	胶板

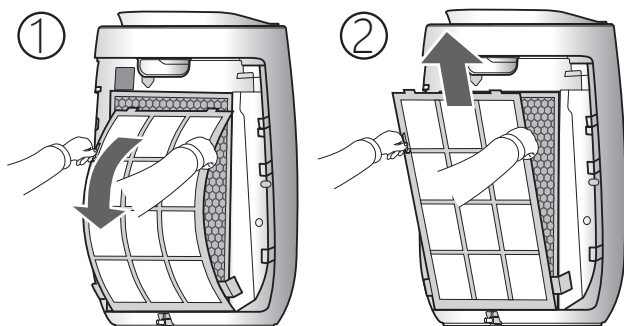
# 过滤网和胶板安装

为确保过滤网和胶板的质量，过滤网以塑料袋包装并安装在主机内。使用本设备前，必须将过滤网和胶板从胶袋中取出。

## 1 取下捕蚊面板。



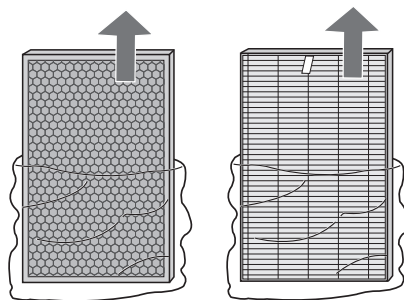
## 2 握住前置过滤网的凸部并拆下前置过滤网。



## 3 取下过滤网。

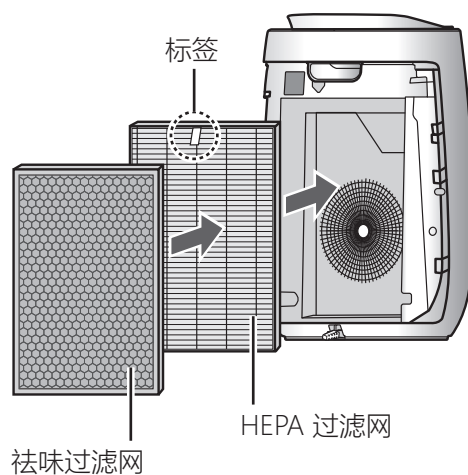


## 4 从塑料袋中取出过滤网。

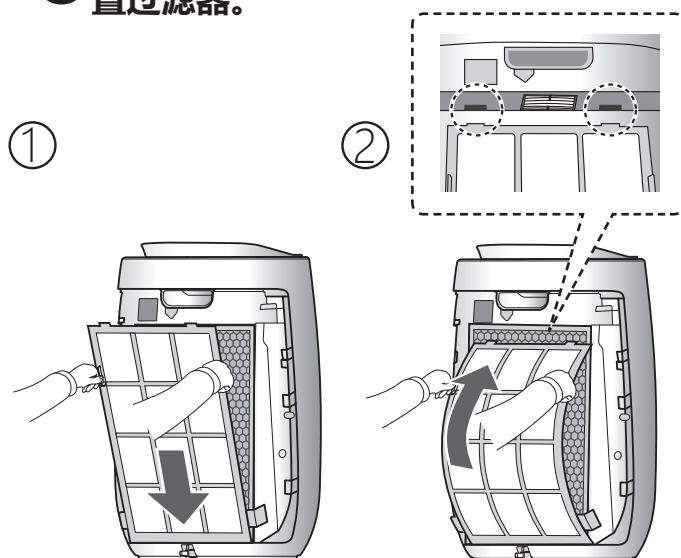


## 5 将过滤网放进主机内。

切勿以反方向安装过滤网，否则将影响主机的正常操作。



## 6 握住前置过滤器的凸部，并且安装前置过滤器。

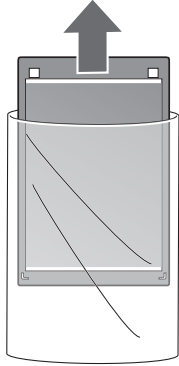




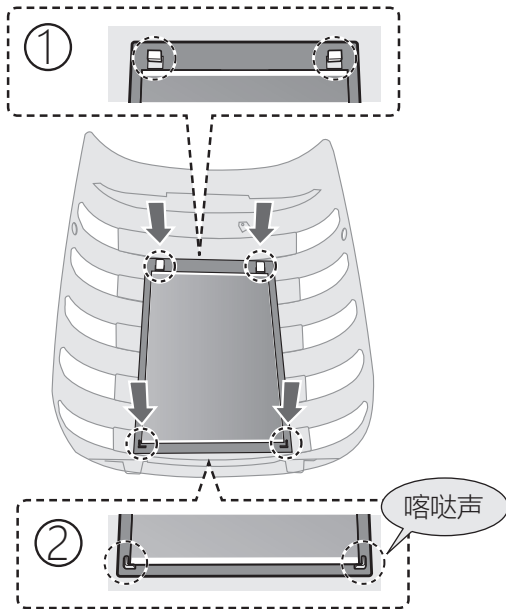


请确保已在墙壁的电源插座上移除电源插头。

- 7** 从塑料袋中取出胶板。
- 剩余的胶板应避免受到阳光直射，并将其胶面朝上平放。

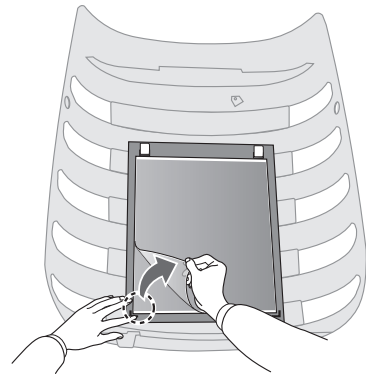


- 8** ①将胶板挂到捕蚊面板内侧的顶部挂钩上。  
②插入其底部挂钩。

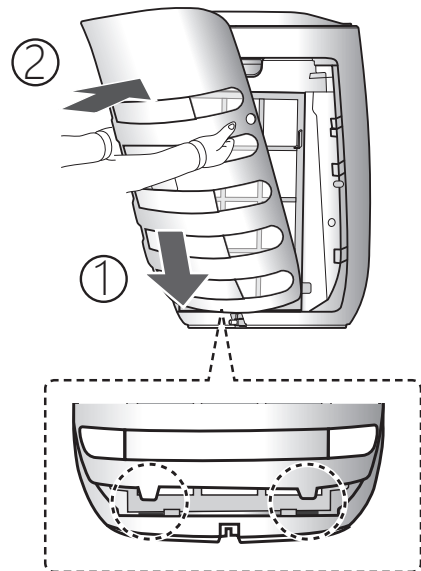


- 9** 从胶板的一角慢慢地撕下保护膜。
- 将保护膜作为可燃垃圾处理。
  - 确保其底部正确插入到底部挂钩。

请谨慎操作，以免胶板粘到头发或衣服。



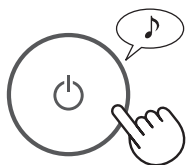
- 10** 从下部安装捕蚊面板。



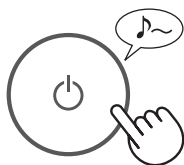
# 操作

## 开始 / 停止

开始



停止



- 当主机开始启动时，按之前的运行模式开始运转。

## 雾霾

- 主机将以高风速运行 60 分钟，然后在小风速和大风速之间交替运行各 20 分钟。



10 分钟	最大风量
50 分钟	大风量
20 分钟	最小风量
20 分钟	大风量

### 注意

- 净离子群无法“关闭”。
- 运行过程中可从此模式切换为其他模式。但是，切换后烟雾模式将无法正常工作。

## 风速



### 注意


自动



根据以下 3 种探测信息自动控制风速：（灰尘 / 异味 / 光线）

### 睡眠模式 \*

主机将非常安静地运转，且风速根据空气中杂质的量和室内亮度自动切换。

清洁度侦测器 / 净离子群指示灯自动关闭，紫外线灯自动变暗。即使指示灯已熄灭，但如果没有通过长按  来关闭净离子群，仍会有净离子群扩散到空气中。

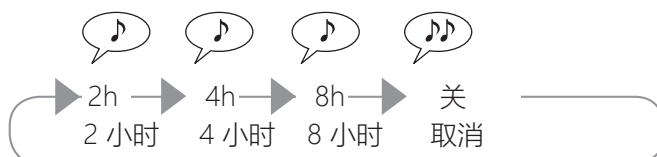


## 关机定时

选择想要开启主机的时间长度。到达所选定的时间后，主机会自动停机。

(主机开启)

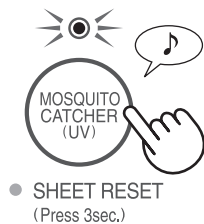
2h 4h 8h



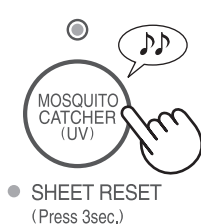
## 捕蚊功能

担心有蚊子时，可使用此功能。

### 紫外线灯开



### 紫外线灯关



## 注意

- 当胶板重置指示灯亮起时，请更换新的胶板。
- 选择最大模式时，捕蚊效果更高。  
风量越高，越容易捕捉蚊子。
- 如果捕蚊面板脱落，紫外线指示灯将自动熄灭。  
请确认捕蚊面板是否正确固定。
- 我们建议您让空气净化器 24 小时运行，以便最大限度发挥作用，更换过滤网和胶板时除外。

## 净离子群开 / 关

当净离子群已开启，净离子群指示灯将会亮起。（蓝色）

（主机开启）

### 开



### 关



## 注意

- 当主机开始启动时，按之前的运行模式开始运转。

## 调整传感器探测灵敏度

灰尘传感器 / 异味传感器和光线传感器的灵敏度可以更改。

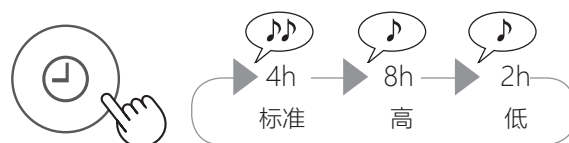
### 1 （主机关闭）



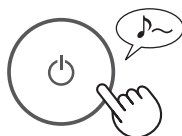
### 2 灰尘传感器 / 异味传感器



### 光线传感器



### 3



## 注意

- 如果调整传感器灵敏度后未在 8 秒钟内按下电源关按钮，设置将自动被保存。
- 即使拔出主机电源插头，也会保存传感器灵敏度设置。

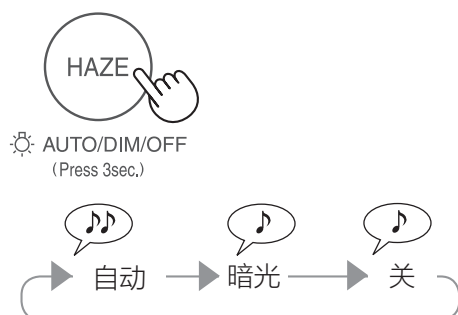
## 灯光控制

在清洁度侦测器 / 净离子群指示灯亮起时，您可以将其设置为关闭。

### 1 (主机开启)



### 2



### 注意

- 如果未在 8 秒钟内按下烟霾按钮，设置将自动被保存。
- 当主机开始启动时，按之前的运行模式开始运转。

### 自动

灯光根据室内亮度自动开或关。  
室内光线亮：灯开启  
室内光线暗：灯关闭

### 关

设置为“关”时，开始运转后，“暗光”灯亮起 8 秒，然后熄灭，紫外线灯变暗。

为了保持空气净化器的最佳性能，请定期清洁主机（包括过滤网）。在进行任何维修之前，请确保电源插头已从墙壁电源插座上拔除。

## 主机



### 用柔软干布擦拭

对于顽固污渍或灰尘，使用一块以温水浸泡过的软布擦拭。

### 注意

- 请勿使用挥发性液体  
挥发油、油漆稀释剂及抛光粉等均有可能损坏主机表面。
- 请勿使用洗涤剂  
清洁剂成分可能会损坏主机。

## 传感器

### 灰尘传感器

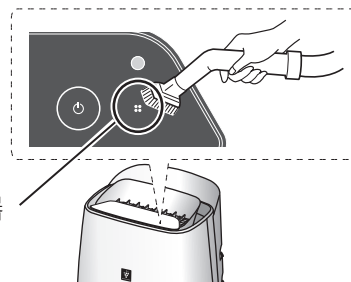
灰尘传感器过滤网



1. 取下捕蚊面板。
2. 取下灰尘传感器过滤网。
3. 如果它非常脏，请用水清洗并晾干。

### 异味传感器

异味传感器



用吸尘器附件或类似工具轻轻地清除异味传感器的灰尘。

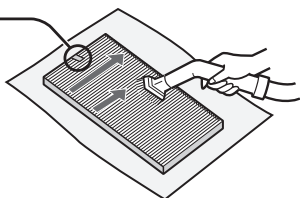


请确保已在墙壁的电源插座上移除电源插头。

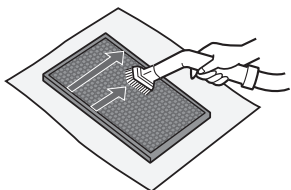
## 过滤网

### HEPA 过滤网

标签



### 祛味过滤网



用吸尘器附件或类似工具轻轻地清除 HEPA 过滤网和祛味过滤网上的灰尘。

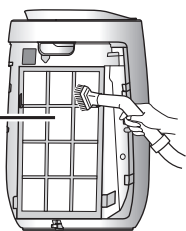
### 注意

请勿用水冲洗及在太阳下晒干。  
过滤网较脆弱， 请小心不要太过用力。

- HEPA 过滤网  
只可清洁贴有标签的一面。  
请勿清洁另外一面。 否则， 过滤网将会损坏。
- 祛味过滤网  
可在两边进行维护。

## 前置过滤网

前置过滤网

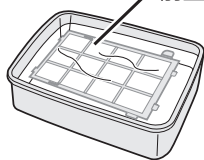


用吸尘器附件或类似工具轻轻地清除前置过滤网面板上的灰尘。

### 注意

擦洗前置过滤网时， 请勿用力过度。

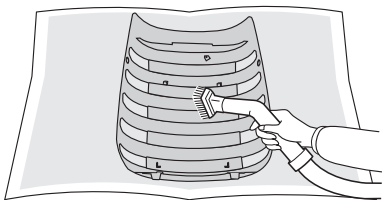
### 注意 如何清洁顽固污渍



前置过滤网

1. 在水中滴几滴厨房用洗涤剂， 将后面板浸泡 10 分钟左右。
2. 用干净的水冲洗掉厨房用洗涤剂。
3. 在通风良好的地方晾干过滤网。

## 捕蚊面板



取下胶板， 然后用吸尘器附件或类似工具轻轻地清除后面板的灰尘。

### 注意

擦洗捕蚊面板时， 请勿用力过度。

# 更换

## 过滤网

### 更换时间

当过滤网更换指示灯亮起时\*

HEPA 过滤网

型号： FZ-F50HFE

祛味过滤网

型号： FZ-F50DFE

\* 过滤网更换指示灯将在睡眠模式约 17500 小时后点亮。  
(2 年 x 24 小时 = 17500)  
根据操作模式不同， 过滤网寿命有所区别。

### 过滤网的使用寿命

过滤网使用寿命及更换时间取决于使用环境。 对比新的过滤网， 一个每天吸烟 5 支的环境中， 过滤网的集尘能力将会减半。

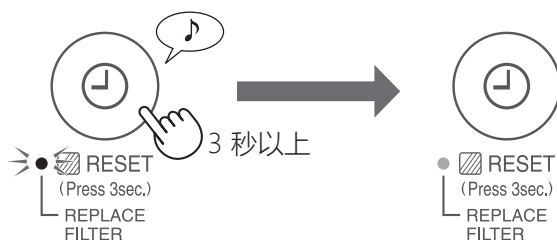
过滤网使用寿命取决于房间环境、 使用时间长短及主机的位置而定。  
我们建议在比正常家庭显着恶劣的使用环境下应更频密地更换过滤网。

- HEPA 过滤网： 开封后约 2 年
- 祛味过滤网： 开封后约 2 年

### 过滤网更换指示灯

按照更换用的过滤网随附的说明更换过滤网。

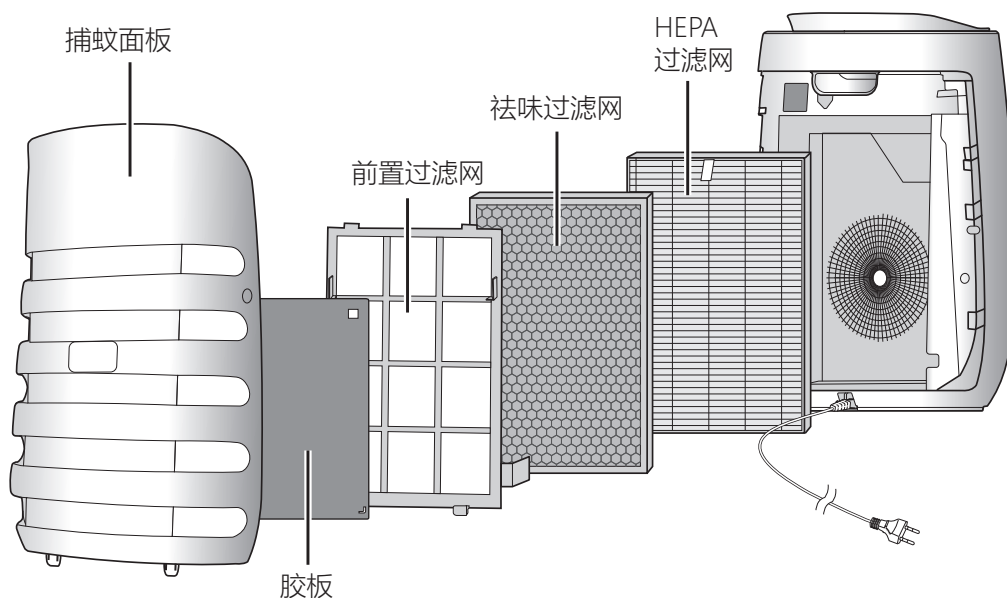
在更换时， 将插头插入插座， 并按电源按钮， 然后按关机定时按钮 3 秒。



### 弃置过滤网

请按照当地法律和法规来处理已使用的过滤网。

- |             |            |
|-------------|------------|
| HEPA 过滤网材料： | 祛味过滤网材料：   |
| • 聚丙烯       | • 聚丙烯 • 聚酯 |
| • 聚乙烯       | • 活性炭      |





请确保已在墙壁的电源插座上移除电源插头。

## 胶板

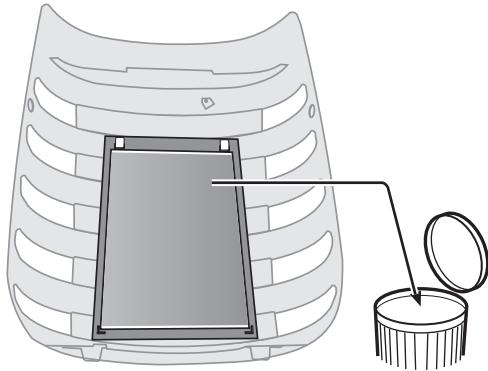
### 更换时间

当胶板重置指示灯闪烁时。

型号：FZ-ST52M

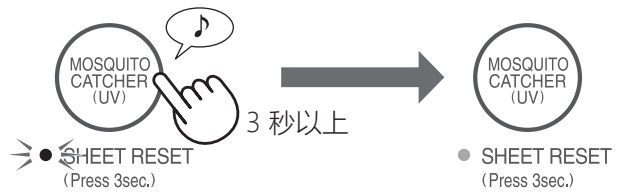
按照更换用的胶板中随附的操作手册更换胶板。

请小心弃置用过的胶板。



切勿碰触胶粘剂表面。

在更换时，将插头插入插座，并按电源按钮，然后长按捕蚊按钮 3 秒钟。



当您把插头插入插座后，胶板指示灯将在大约 2 个月 after 亮起（24 小时 x 60 天）。更换时间大约是 2 个月，但是可以根据室内环境提前更换。请时常检查胶板。

- 有关购买更换用的胶板，请联系您的经销商。
- 请仅使用为本产品设计的胶板。

### 弃置胶板


请按照当地法律和法规来处理已使用的胶板。

胶板材料：


- 胶：丙烯酸共聚物
- 膜：纸质
- 基板：聚碳酸酯

# 维修前的检查事项


拨打服务电话之前，请查看下方疑难解答表格，因为出现的问题可能不是主机故障。





症状	补救措施（并非故障）
不能去除异味和烟雾。	<ul style="list-style-type: none"> <li>• 过滤网还在塑料袋中吗？请取出。（第 6 页）</li> <li>• 过滤网已充满污垢，请更换过滤网。（第 12 页）</li> </ul>
即使在空气不洁净时，清洁度侦测器指示灯也亮起为蓝色。	<ul style="list-style-type: none"> <li>• 主机接通电源时，空气可能不洁净。拔下主机电源插头，等待一分钟，再重新插入主机插头。</li> </ul>
即使在空气洁净时，清洁度侦测器指示灯也亮起为橙色或红色。	<ul style="list-style-type: none"> <li>• 如果灰尘传感器开口不干净或阻塞，传感器运行会受到影响。轻轻清洁灰尘传感器开口。（第 10 页）</li> </ul>
主机发出喀嚓或滴答的声音。	<ul style="list-style-type: none"> <li>• 当主机正在释放离子时，可能会发出喀嚓或滴答的声音。</li> </ul>
排放的空气有异味。	<ul style="list-style-type: none"> <li>• 检查过滤网是否已充满污垢。</li> <li>• 请清洁或更换过滤网。</li> </ul>
空气中有香烟烟雾时，主机不能正常运行。	<ul style="list-style-type: none"> <li>• 主机是否安置在传感器难以探测到香烟烟雾的位置？</li> <li>• 灰尘传感器开口是否阻塞或堵塞？（如果是，请清洁开口。）（第 10 页）</li> </ul>
清洁度侦测器指示灯熄灭。	<ul style="list-style-type: none"> <li>• 检查是否选择了灯光熄灭模式。长按  3 秒钟点亮指示灯。（第 10 页）</li> <li>• 检查是否选择了睡眠模式。选择睡眠模式后，灰尘和异味 / 净离子群指示灯自动熄灭。</li> </ul>
清洁度侦测器指示灯频繁改变颜色。	<ul style="list-style-type: none"> <li>• 当灰尘传感器探测到灰尘及异味传感器探测到异味时，清洁度侦测器指示灯自动改变颜色。</li> </ul>
睡眠模式灯闪烁。	<ul style="list-style-type: none"> <li>• 风扇电机故障。关闭电源。等待一分钟，然后再重新打开电源。</li> </ul>
自动记忆功能	<ul style="list-style-type: none"> <li>• 操作过程中电源插头拔出或是断路器发生故障时，在恢复供电之后，设备按之前的操作模式和设置继续运行。</li> </ul>

**开（默认）**  
(主机关闭)




(同时触按 3 秒以上)



如果 、、、 指示灯持续亮起 8 秒钟，设定完成。

**关**  
(主机关闭)



(同时触按 3 秒以上)



症状	补救措施 (并非故障)
捕蚊灯和紫外线灯关闭。	<ul style="list-style-type: none"> <li>如果捕蚊面板脱落或者安装不正确，捕蚊灯和紫外线灯将通过磁传感器自动关闭。请确认捕蚊面板是否正确固定。</li> </ul>
胶板重置指示灯亮起。	<ul style="list-style-type: none"> <li>这是胶板的更换时间。请更换新的胶板。然后，长按捕蚊按钮 3 秒钟。</li> </ul>
胶板上没有粘到任何蚊子。	<ul style="list-style-type: none"> <li>窗户或门是否没有打开？</li> <li>是否没有放在有风的地方（例如空调或风扇）？ ⇒ 尝试更换摆放位置。</li> </ul>
粘胶残留在衣服、皮肤、地板等上时。	<ul style="list-style-type: none"> <li>先涂些食用油，再用肥皂水冲洗。</li> </ul>
捕蚊指示灯闪烁。	<ul style="list-style-type: none"> <li>紫外线灯发生了故障。请联系夏普授权的服务中心。</li> </ul>

## 规格

电源供应		220-240 伏 50-60 赫兹		
在运行中风速	风速调节	最大	中等	睡眠模式 *1
	风速	240 立方米 / 小时	186 立方米 / 小时	48~120 立方米 / 小时
	额定功率	23W	14W	4.5~7.5W
	备用耗电量	0.9W		
建议房间面积		~30 平方米 *2		
高密度离子簇建议房间面积		~23 平方米 *3		
电源线长度		2.0 米		
尺寸		397 毫米 (阔)x289 毫米 (深)x591 毫米 (高)		
重量		6.9 千克		

\*1 风速根据空气中杂质的量和室内的亮度自动切换。

\*2 建议面积以最大风速操作主机的面积计算。

- 建议面积表示可在 30 分钟内清除一定数量尘埃粒子的空间大小 (JEM1467)。

\*3 房间面积是指当本设备放置于墙边并以中等设定操作下，在房间中央（离地面约 1.2 米的高度）每立方厘米可以测量到约 7000 个离子。

### 备用耗电量

为了操作电路，当电源插头插入墙壁的电源插座时，本产品会产生备用耗电量。为了节约用电，请于不使用主机时拔除电源接线。

# MEMO

---

# MEMO

---

**SHARP**

**SHARP CORPORATION**

**OSAKA, JAPAN**