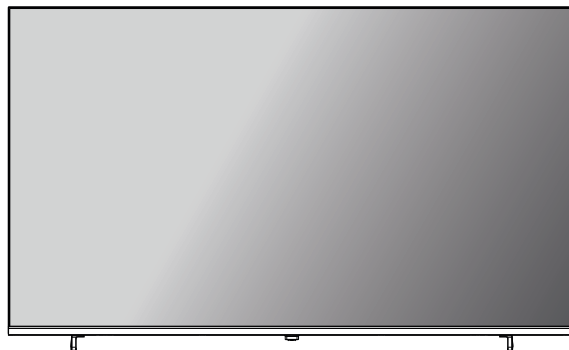


# SHARP

4T-C65GJ4000X

4T-C55GJ4000X

4T-C50GJ4000X



**HDMI™** **LED** **Dolby Audio**

## Dear SHARP Customer





Thank you for your purchase of the SHARP LED colour TV product. To ensure safety and many years of trouble-free operation of your product, please read the important safety precautions carefully before using this product.

## Contents

<b>Safety Warning and Notice</b> .....	2
<b>Mounting and Connecting</b> .....	4
Packing list.....	4
Stands Installation Instructions.....	4
Mounting the TV set.....	4
Connecting peripheral equipment.....	5
<b>TV Control Key</b> .....	6
<b>Remote Control</b> .....	7
<b>Basic Operations</b> .....	8
Turning on/Standby.....	8
Signal source selection.....	8
Menu operation description.....	9
Smart TV.....	9
OSD Language setting.....	9
Channel scanning.....	9
REC option.....	9
Time shift option.....	9
APP.....	10
Network settings.....	10
Wake On Lan / Wake On Wlan.....	10
Important statement on network services.....	10
Multimedia player.....	10
<b>Troubleshooting</b> .....	11
<b>Technical Specifications</b> .....	12
<b>Use of a TV wall mounting</b> .....	13

## Safety Warning and Notice

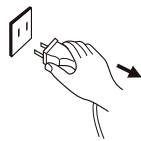
Thanks for choosing the high-performance and multifunctional intelligent LED TV produced by our company. This precious thing will bring you better audiovisual enjoyment. The design of this product has given consideration to factors affecting personal safety, and the product itself has gone through strict tests prior to delivery. However, improper operation may result in electric shock and fire disaster. To ensure safety, prolong the service life of this product, and make sure the best performance of this product can be given full play to, please read the manual and marking label carefully before using it and comply with the following safety instructions. Please keep the user manual for later use.

	<b>Warning</b>	May result in casualties
		Indicate the behaviors that must be prohibited
	<b>Attention</b>	May result in personal injury or property losses
		Indicate the operations that must be performed

### Under Following Conditions

- Power failure or unstable voltage.
- Abnormal sound or smell from the device.
- AC power cord is damaged.
- TV set is damaged due to falling off, knock or impact.
- Any liquid or foreign matters enter into the TV set.


**Turn off the TV set immediately, unplug the power cord from the power outlet, and contact authorized maintenance personnel.**







- **If coal gas or other flammable gases leak, do not unplug the power cord of the TV set or other electric appliances; instead, close the valve of the gas immediately and open the doors and windows.**
- **The picture is for reference only.**



### Warning

-  ● **Only use 100-240VAC, 50/60Hz power supply.**
- **All cables can be connected or pull out only after power supply is turned off.**
- **Do not fix the TV set on instable position, or else it may cause falling off, damage, or even fire.**
- **Do not put the TV set in the environment:**
  1. **With direct sunshine, moisture, overheating, undercooling or heavy dust;**
  2. **With flammable or explosive substance;**
  3. **With flammable or corrosive gas;**
  4. **In bathroom, kitchen, etc.**
- **Do not use damaged or improper power socket, and ensure that the plug and socket are connected properly.**
- **Keep the power plug and socket free of dust and metal pieces.**
- **Do not damage the power cord:**
  1. **It is prohibited to refit the power cord;**
  2. **Do not put heavy object on the power cord;**
  3. **Keep the power cord away from heat source;**
  4. **Do not drag the power cord when unplugging.**

 **Warning**

-  ● Do not connect too many appliances to one power strip, or else it may cause fire due to high power consumption.
  - Do not let open flame (e.g. lit candle) approach the TV set, or else it may cause electric shock or fire.
  - Do not put the container filled with water on the TV set, to avoid electric shock or fire caused by water drop or splashing.
  - Do not penetrate any sharp object, metal or liquid into the signal connector or air vents, to avoid short circuit and product damage as well as electric shock.
  - The slots on the case is designed to release heat so as to assure that all inside components will not reach an extra high temperature and can work normally for a long time. Please do not cover the holes while place it.
-  Do not touch the plug with wet hands, or else it may cause electric shock.
-  Do not turn on the TV set in thunderstorm weather; instead, unplug the power plug and antenna connector to avoid lightning strike.
-  Do not disassemble the TV set by yourself, or else it may cause electric shock or fire. Contact qualified personnel for maintenance.

 **Attention**

- Do not let children climb onto the TV set.
- Keep the small accessories away from children's reach to avoid swallowing.
- If the TV set won't be used for a long time, please turn off the device and unplug the power cord.
- Before cleaning the TV set, unplug the power cord and wipe with soft cloth; do not use chemical reagents and avoid foreign substances entering into the device. The incorrect cleaning (such as cleaning fluid, water, etc) may lead to damage of the TV.
- To adjust the position or angle of the TV set, please disconnect all wires and move slowly to avoid falling off.

 **Attention**

- Do not rub with hard object, knock at, bend or squeeze the screen.
- Do not use TV immediately after transferring TV to the places with high temperature from low temperature, which will cause fogging inside TV and failures.
- If the screen is broken and the liquid splashes on skin, please wash with clean water immediately for 15 minutes, and go to see your doctor.
- To carry the TV set with hands, please grasp the corners and hold the bottom; do not apply force on the panel.
- Displaying the same image for a long time or active image with fixed words, icons will leave "image persistence" on screen which will not disappear after powering off for a long time. This undesirable phenomenon is not covered by warranty.
- Healthy TV watching:
  1. Watch in appropriate light; poor light or long time watching may hurt your eyes.
  2. Adjust the volume appropriate to avoid hurting your hearing.
- Unplug the power cord of the device to cut off the power supply.
- If a power plug or appliance coupler is used as disconnecting device, it should ensure easy operation.
- Power plug shall be connected reliably. Loose power plugs may cause sparkle and fire.
- All the technical specifications in the user's manual and on the packaging are subject to changes without prior notice. If there is slight deviation between the user's manual and actual operation, the latter shall prevail.

## Mounting and Connecting

### Packing list

1. The TV set.
2. User Manual.
3. Remote control.
4. Power cord (or attached to TV set).
5. VESA screws × 4
6. Batteries × 2
7. Stand × 2
8. Stand screws × 4

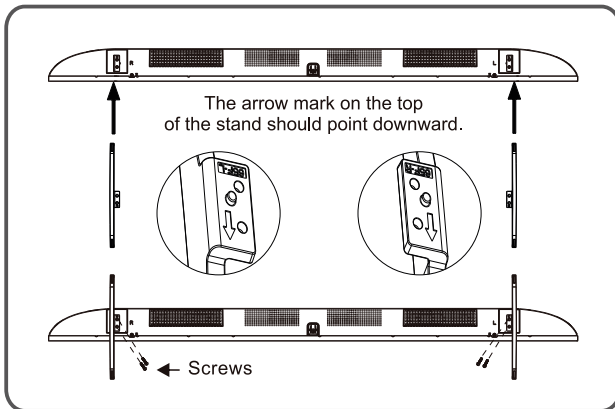
### Stands Installation Instructions

1. First of all, put the TV body on the flat surface, with a soft cloth on it, laying it with the screen facing down.

2. Attach TV stand marked with "R" and with "L" to the installation part marked with "R" and with "L" respectively.

Make sure that the arrow mark on the stands faces down.

3. Fasten the stands with included screws.



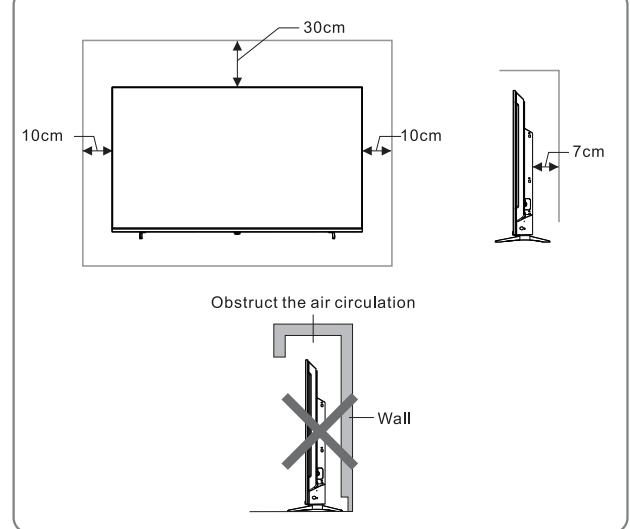
**Remark:** The pictures are for reference only

## Mounting the TV set

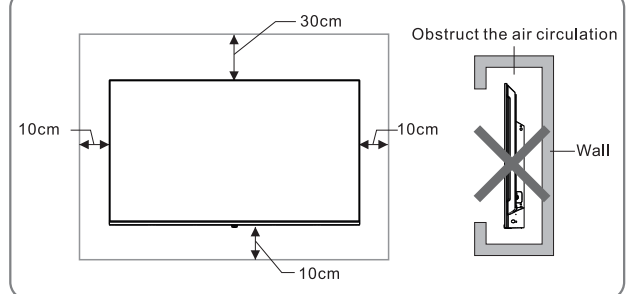
### Tips on Installation

- The TV set should be mounted near the AC power socket for easy plugging and unplugging.
- For your safety, please select appropriate wall mount bracket or base.
- To avoid hurt, it is required to place the TV set on stable plane, or fix on firm wall.
- Do not install/mount the TV with tilting condition.
- Ask qualified personnel to mount the TV set on the wall. Improper mounting may result in instable TV set.
- Do not place the TV set at any place susceptible to mechanical vibration.
- Do not place the TV set at any place that insects may enter.
- Do not mount the TV set against air conditioner, or else the internal panel of the display may condense moisture and cause failure.
- Do not place the TV set at any place with strong magnetic field, or else it may be interfered with and damaged by electromagnetic wave.

### Mount on the base



### Mount on the wall



## Ventilation

- Please keep this space at least around the TV, as shown in the figure.
- Do not cover the air vents or insert any object into the enclosure.
- Do not put the device in limited space, e.g. bookcase or embedded closet, unless the TV set is properly ventilated.



### Warning

Never place a television set in an unstable location. A TV set may fall, causing serious personal injury or death. Many injuries, particularly to children, can be avoided by taking simple precautions such as:

- Using cabinets or stands recommended by the manufacturer of the TV set.
- Only using furniture that can safely support the TV set.
- Ensuring the TV set is not overhanging the edge of the supporting furniture.
- Not placing the TV set on tall furniture (for example, cupboards or bookcases) without anchoring both the furniture and the TV set to a suitable support.
- Not placing the TV set on cloth or other materials that may be located between the TV set and supporting furniture.
- Educating children about the dangers of climbing on furniture to reach the TV set or its controls.

If your existing TV set is being retained and relocated, the same considerations as above should be applied.

## Connecting peripheral equipment

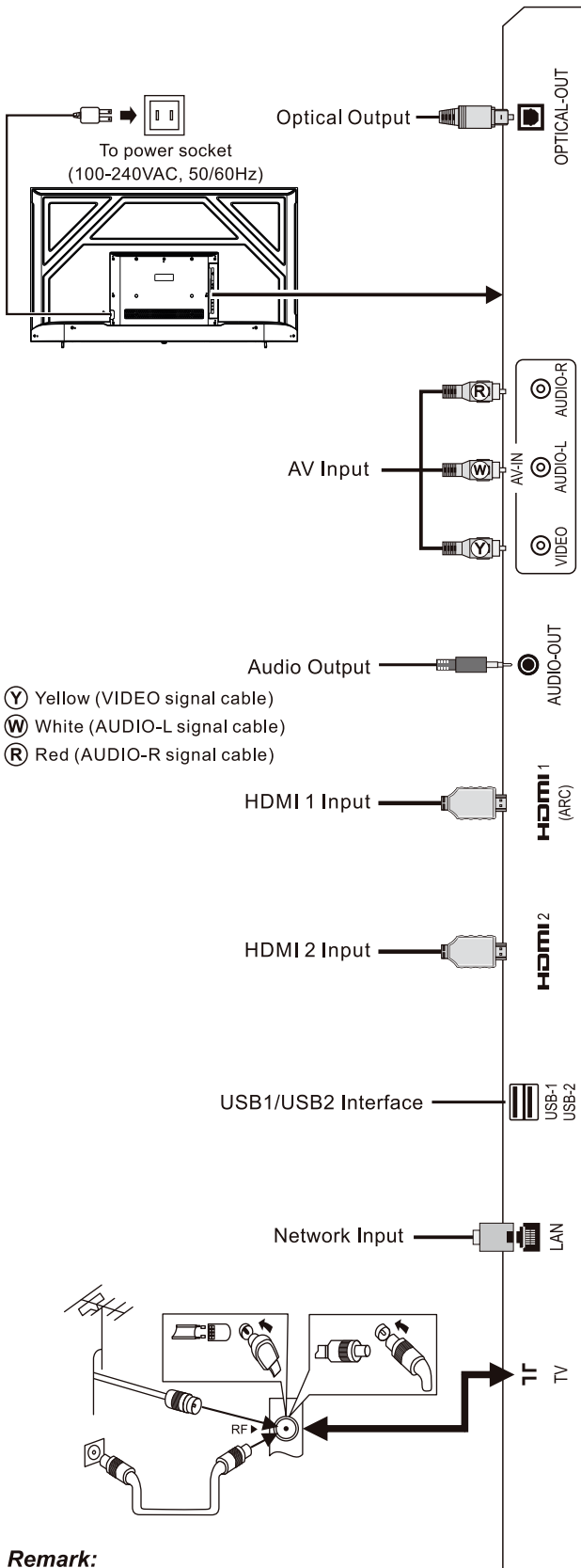
### Remark:

1. USB interfaces support peripheral equipment, including USB mass storage device, USB mouse, keyboard, etc.
2. When you need to connect the device which support the ARC function, please select the HDMI-1 interface.
3. HDMI connector can realize DVI connector function with external HDMI/DVI commutator.
4. The peripheral equipment and cables described in this manual should be purchased separately.



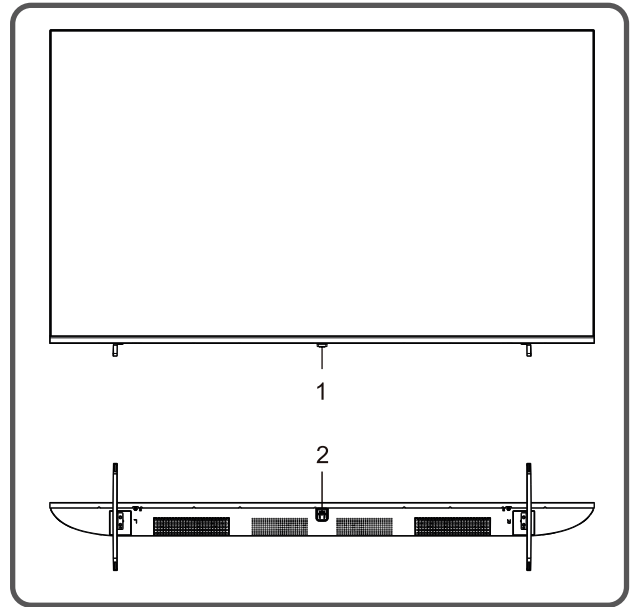
### Warning

**When connecting outdoor antenna to signal port of the TV set, please turn off the main power switch of the TV set first. Do not approach the outdoor antenna to high voltage mains power line to avoid electric shock. The wired network antenna connected to this TV set must be isolated from the protective grounding, or else it will cause fire or other hazards.**



**Remark:**  
The pictures are for reference only.

## TV Control Key



1. Power LED indicator and remote receiving window.
2. TV Control Key (⏻)

When the TV is turned off:

- Short press the ⏻ key to turn on the TV.

When the TV is turned on :

The ⏻ key works only in the Input (TV/AV/HDMI1/HDMI2/USB)

- Short press to display the function menu [Power, (Channel +/-), Volume +/-, Input].
- Short press the ⏻ key to select the menu.
- Long press the ⏻ key to confirm the selected menu.

**Remark:**

- ①. The appearance varies depending on the model.
- ②. Please use the remote control for more operation.

# Remote Control

## Method for Installation of Remote Control

### Battery

Remove the battery compartment cover and insert two AAA (1.5V) batteries; make sure the polarity of the batteries is in compliance with the polarity mark "+" and "-" in the battery compartment of the remote control.

### Precautions for using the remote control

- The remote control should be pointed at the remote control sensor during operation. An object placed between the remote control and the remote control sensor may impede normal operation.
- The remote control should be prevented from strenuous vibration. Besides, please do not set or place the remote control under direct sunshine, as heating power may result in deformation of the remote control.
- Remote control failure may occur when the remote control sensor of the main unit is under direct sunshine or strong lighting; in this case, please change the angle of lighting or this TV set, or operate the remote control near the remote control sensor.
- When the batteries are running low, the remote control doesn't work well. In that case, please replace them with new ones. If the remote control is not used for a long time or the battery runs out, please take the battery out to prevent the remote control from being corroded by battery leakage which may result in damage and failure of the remote control.
- Please do not use batteries of different types. It is not allowed to use old and new batteries together; the batteries should be replaced in pair.
- Please do not throw the batteries into fire or charge or decompose the batteries; do not charge, short-circuit, disassemble/assemble, heat or burn used batteries. Please dispose the waste batteries pursuant to relevant regulations on environmental protection.

## Keys of the Remote Control



Keys	Function
Power (⏻)	Switch between working and standby status.
Mute (🔇)	Turn on/off the sound.
Number keys	Select the channel or input numbers.
↶	Return to previous channel.
•	Decimal point.
LIST	Show channel list.
GUIDE	Electronic program guide.
NETFLIX	Open Netflix application.
YouTube	Open YouTube application.
prime video	Open Prime Video application.
Home (🏠)	Show home page.
◀, ▶, ▲, ▼	Select items or adjust values.
OK	Confirm the operation.
Return (↶)	Return to previous menu page.
Exit (🚪)	Exit OSD menu or application.
VOL+/-	Turn up/down the volume.
⚙️	Show setting menu.
📶	Show signal source menu.
CH+/- (▲CH▼)	Change program channel.
Red key	Special function keys.
Green key	
Yellow key	
Blue key	
AD/MTS	ATV: select NICAM mode. DTV: select sound track.
SUBT./CC	Select Sub title Open / Close Caption.
ℹ️	Show information bar.
⏮	Fast backward.
⏭	Fast forward.
Record (•)	Start to record current program.
▶ (play)	Play function in multimedia.
⏸	Time shift key. (PAUSE)
■	STOP.

**Note:** The appearance of the remote control may be different from this diagram.

## Basic Operations

### Remark:

1. The [▶] key means direction key and the [▶](play) key means play function key
2. Menu Operation Instruction in this manual is explained according to TV mode. The operations in other modes are similar to the one in TV mode, and users can take it as reference.
3. Before power-on platform, please make sure that the power supply is stable.
4. The software may differ depending on the country.
5. The actual operation may differ from that in User Manual because the software is updated constantly.

## Turning on/Standby

Plug power cord into the electrical socket, then press [⏻] key to turn on the TV.

When you first use the TV, it goes into the initialization settings, and set it according to your needs.

In power on state, press [⏻] key to switch to standby mode.

★ **Special Tips:** This TV set adopts energy saving technology. If there is no signal input in power on state, it will enter standby state automatically in five minutes.

## Signal source selection

You can connect various devices to the TV set and view high quality images. If the video device has HDMI, AV and other video output ports, you can select one of them and connect to corresponding input ports of the TV set. After connected, turn on the device and press [📶] key, then menu of signal source will be displayed on the screen. Press [▲]/[▼] key to select the input signal, and press [OK] key to confirm.



## Menu operation description

Press [⚙️] key to show the main menu on the screen:

1. Press [▲]/[▼] key to select a menu from **Video, Audio, TV, Setup, Parental, About**.
2. Press [OK]/[▶] key to enter the submenu.
3. Press [▲]/[▼] key to select an item in the menu.
4. Press [OK] key to confirm.
5. Press [◀]/[▶] key or [▲]/[▼] key to adjust the value or setting.
6. Press [↩] key to return to previous menu when the TV displays the submenu.
7. During menu operation, the icons of invalid options will change into grey.

**Note:** The default password for the lock system is 0000.

## Smart TV

Press [🏠] key to show the home page.

1. Press [◀]/[▶] key to select an application;
2. Press [OK] key to run the application;
3. Press [⏏] key to exit the smart mode.

**Note:** Before accessing the Internet, please connect your TV set to the Internet. Refer to "Network Settings" for details.

## OSD Language setting

Press [⚙️] key, select **Setup > OSD Language** and press [OK] key to enter. Press [▲]/[▼] key to select the desired language, and then press [OK] key.

## Channel scanning

Scan the channels before watching the TV for the first time. Before scanning, please make sure that the antenna has been connected properly, and select the signal source as **ATV** or **DTV**.

### ATV Scanning

After selecting **ATV** source, press [⚙️] key, and Select **TV**, then press [OK] key to enter.

1. Select **Channel Scan**, and press [OK] key, then the TV starts auto scanning.

2. Select **Analog Manual Scan**, and set **Start Frequency (MHz)**. Select **Scan Up** or **Scan Down**, and press [OK] key to manually search for channels.

## DTV Scanning

After selecting **DTV** source, press [⚙️] key, and select **TV > Tuner Mode > DVBT/DVBC** according to your needs.

After select **DVBT**.

1. Select **TV > Channel Scan**, and press [OK] key, then the TV starts auto scanning.

2. Select **TV > Manual Scan > RF Channel**, and press [▶] key to enter. Select channel, then press [OK] key to manually search for channels.

After select **DVBC**.

1. Select **TV > Channel Scan**, and press [OK] key to enter. After setting **Scan Mode**, select **Scan**, then press [OK] key to search for channels.

2. Select **TV > Manual Scan**, and set **Frequency (kHz), Modulation, Symbol Rate (Ksym/s)**. Select **Scan**, then press [OK] key to manually search for channels.

## REC option

User can record programs from a long time by this recording function (PVR). First of all, connect USB device to the TV. In DTV mode, Press Record [●] key, then the system begins recording. Press [■] key to stop and quit recording.

Press [⚙️] key, and select **Setup > Record Setting > Record List**, then press [OK] key to display the record files and play them.

While playing, press [◀◀]/[▶▶]/[▶](play)/[⏏]/[■] key to handle.

**Note:** The recording function can only support memorizer with FAT32 file system. Memorizer with other file systems need to be formatted; Before formatting memorizer, back-up useful data because the content of memorizer can not recover after formatting.

## Time shift option

When user leaves program for a short time, time-shift function can suspend and cache the playing program to USB device. When user resumes playing, the program can continue to be played.

In DTV mode, press [⚙️] key, and select **Setup > Record Setting > Time Shifting Mode**, then press [OK] key to enter. Select **on**, and press [⏏] key, Time Shift option menu shows on the screen and the program is in suspended state. Press [▶](play) key to resume play program. Press [■] key to stop and quit time-shift.

While playing, press [◀◀]/[▶▶]/[▶](play) / [⏏]/[■] key to handle.



## APP

Press [HOME] key, then press [LEFT]/[RIGHT] key to select an application and press [OK] key to enter. As YouTube, Amazon Prime Video, and Netflix, you can press the [YouTube], [prime video] and [NETFLIX] keys to use them. In the standby mode, you can turn on the TV and use Netflix by pressing [NETFLIX] key on the remote control.

## Network settings

Press [Settings] key, then select **Setup > Network > Configuration > Interface**, select **Wireless** or **Ethernet**.

### ■ Wireless

1. After selecting **Wireless**, press [OK] key, then select **Wireless Setting > Scan**, and press [OK] key, then the wireless network signals are searched by your TV list automatically. The network searched without  icon indicates that the TV to the network without a password. The network with  icon indicates that it is encrypted and you must enter the correct password to connect to the network;
2. Select the network you want to connect to in the network list, and press [OK] key;
3. Type network connecting password in the box and exit keyboard, then select **Connect** and press [OK] key to connect to network.
4. If the network is hidden, select **Wireless Setting > Manual**, and press [OK] key to enter. Set the network name (**SSID**), and press [RIGHT] key to enter. Select security mode, then enter the correct password to connect.
5. If you select **Wireless Setting > Auto**, then enter the **PIN** or **PBC** to automatically connect to the network.

### ■ Ethernet

1. After selecting **Ethernet**, press [OK] key, then select **IP Setting > Address Type > AUTO**, and your TV will connect to the Network automatically;
2. Select **Address Type > Manual**, and press [UP]/[DOWN] key to select **IP Address**, **Subnet Mask**, **Default Gateway**, **Primary DNS** and **Secondary DNS** to set them. Then press [ENTER] key, your TV will connect to the Network automatically.

## Wake On Lan / Wake On Wlan

It allows remote systems to wake up the sleeping TV by sending a frame of a specific format which the client anticipates. (It is available when network is connected.)

Press [Settings] key, then select **Setup > Network > Configuration > Wake On Lan / Wake On Wlan**, and press [OK] key to enter. Press [UP]/[DOWN] key to set it as "On" or "Off", and press [OK] key to confirm.

## Important statement on network services




All contents and services obtained from this TV set belong to the third party and are protected by laws on copyright, patent right, trademark right and/or other intellectual property right. The said contents and services are only for your non-commercial purposes. It is not allowed to use any content or service without the authorization of the content owner or the service provider.

Our company will undertake no liability for any direct, indirect and accidental losses or damages caused by your or a third party's access to any content or service or any information or any third party software through this set under any circumstances.

Third party service may be changed, deleted or stopped without prior notice. Our company neither implies nor guarantees the continuous availability of some service or content within any period of time.

Our company is not held responsible for services related to the said service and content. Besides, we will not bear any liability for client service. Please directly contact relevant content and service providers if you have any problem and service request concerning relevant service or content.

## Multimedia player

Press [HOME] key, then press [UP]/[DOWN]/[LEFT]/[RIGHT] key to select **Media** and press [OK] key to enter. Select the file type from Photo (), Music (), Video ().

■ **Playing Files in local disk device:** Before playing files in the local disk, insert the USB mass storage device into the USB interface.

Select local disk device in the file directory and press [OK] key to enter. Select the target folder and press [OK] key to enter the folder. Then press [UP]/[DOWN]/[LEFT]/[RIGHT] to select the target file and press [RIGHT] (play) or [OK] key play it. Press [ENTER] key to return to previous page.

**Attention:**

1. Nonstandard USB devices can't be recognized probably; in this case, please replace a standard USB device;
2. The stream media system has certain restriction on the format of files; the playing will be abnormal if it is out of the system restriction;
3. Do not remove the USB device while playing, or else the system or device may have problem;
4. The system supports standard USB1.1 and USB2.0 devices, such as USB mass storage devices and removable hard disks;
5. The maximum output current of the USB port of this device is 500mA, and the self-protection will be enabled if it is beyond this limit; please use external power supply if an external device of higher current will be connected;
6. The system is complicated; when it is reading or playing files, the screen may be still or certain functions may be invalid due to the compatibility and stability of the USB device; in this case, please turn off the device and re-initialize the system.

While playing, press [OK] key to display or hide the toolbar. Press [◀]/[▶]/[▶](play)/[⏸]/[■] key on the remote control to operate.

---

## Troubleshooting

- **Snowflake spots occur in the TV images and there is noise in accompanying sound.**
  1. Check if the antenna plug is loose or the cable is in good condition.
  2. Check the antenna type (VHF/UHF).
  3. Adjust the direction and position of the antenna.
  4. Try to use signal enhancer.
- **There is neither display nor sound on the screen. The indication light is not on.**

Check if the power line is connected.
- **Dotted line or strip disturbance occurs in TV images.**

Do not use electric hair dryer aside the TV set and adjust the antenna direction to reduce disturbance.
- **Double images occur on the TV screen.**
  1. Use high oriented antenna.
  2. Adjust the direction of the antenna.
- **The images are colorless.**

Enter "Video" setting to increase color saturation.
- **The TV has no accompanying sound.**
  1. Adjust the volume to a proper degree.
  2. Press [M] key on the remote control to cancel mute mode.
- **No signal input images show on the TV screen. The indicator light is blinking.**
  1. Check if the signal connecting cable is loose or falls off. Reconnect it.
  2. The TV may be in standby mode, please reboot.
- **The remote control distance is short or out of control.**
  1. Remove the object to avoid blocking the remote control receiving window.
  2. Replace the batteries.
- **Online video play is very slow.**
  1. Please upgrade your network bandwidth to a higher one.
  2. Please try to replace with other addresses to obtain better resources.
- **The TV is slow, crash or doesn't work.**

Disconnect the power supply first, and connect the power supply after about 1-2 minutes, then turn on the TV again.

# Technical Specifications

## Master unit

50" / 55" / 65"

Max. Resolution	3840×2160
Power Supply	100-240VAC 50/60Hz
Power Consumption of Speaker	8W+8W
Operating environment:	
Temperature	5°C~40°C
RH	20%~80%
Atmospheric pressure	86kPa~106kPa
Storage environment:	
Temperature	-20°C~55°C
RH	20%~80%
Atmospheric pressure	86kPa~106kPa

### Dimension (L×W×H) and Weight

50"

Excluding base	Unpacking: 1110 X 88 X 644 (mm <sup>3</sup> )
Including base	Unpacking: 1110 X 243 X 674 (mm <sup>3</sup> )
	Packing: 1213 X 126 X 754 (mm <sup>3</sup> )
	Net Weight: 9.4 kg
	Gross Weight: 12 kg

55"

Excluding base	Unpacking: 1226 X 89 X 720 (mm <sup>3</sup> )
Including base	Unpacking: 1226 X 243 X 741 (mm <sup>3</sup> )
	Packing: 1321 X 120 X 804 (mm <sup>3</sup> )
	Net Weight: 11.1 kg
	Gross Weight: 15 kg

65"

Excluding base	Unpacking: 1445×89×833(mm <sup>3</sup> )
Including base	Unpacking: 1445×285×866(mm <sup>3</sup> )
	Packing: 1588×152×938(mm <sup>3</sup> )
	Net Weight: 15 kg
	Gross Weight: 20 kg

## Technical specifications for TV

- Supported Systems:
  - ATV:** PAL D/K, I, B/G, SECAM D/K, B/G;
  - DTV:** DVB-T2
- TV(RF): 75Ω Imbalance.
- AV Video-Input: 75Ω, 1±0.1Vp-p, RCA.
- AV Audio-Input: 20KΩ, 0.2~2Vrms.
- HDMI Video Input: 480i, 480p, 576i, 576p, 720p, 1080i, 1080p, 2160p.
- Specific internal memory capacity in accordance with actual configuration.

7. Specific cache capacity in accordance with actual configuration.

8. Wireless connection: Wi-Fi (IEEE 802.11 b/g/n).

9. Intelligent operating system: Linux.

## Power management

Mode	Power Consumption		
	50"	55"	65"
Normal working	≤130W	≤150W	≤160W
Standby	≤0.5W	≤0.5W	≤0.5W

Note: If you turn on **Wake On Lan / Wake On Wlan** function, the maximum power consumption of the TV in standby mode does not exceed 1W.

## HDMI display mode

Video mode			
NO.	Mode	Resolution	Refresh rate
1	SD	720×480i/p	60Hz
2		720×576i/p	50Hz
3	HD	1280×720p	50Hz
4			60Hz
5	FHD	1920×1080i/p	50Hz
6			60Hz
7	UHD	3840×2160p	24Hz
8			25Hz
9			30Hz
10			50Hz
11			60Hz

**Remark:** Under UHD mode, 50Hz and 60Hz refresh rate is effective only under HDMI version 2.0/2.1.

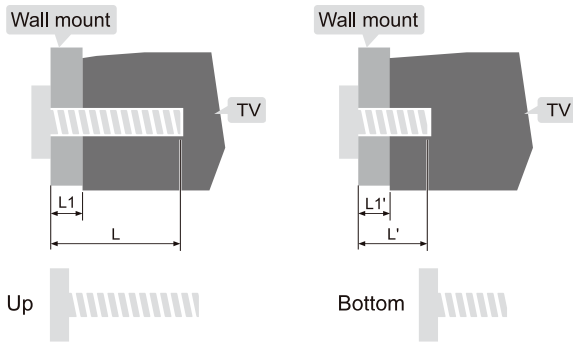
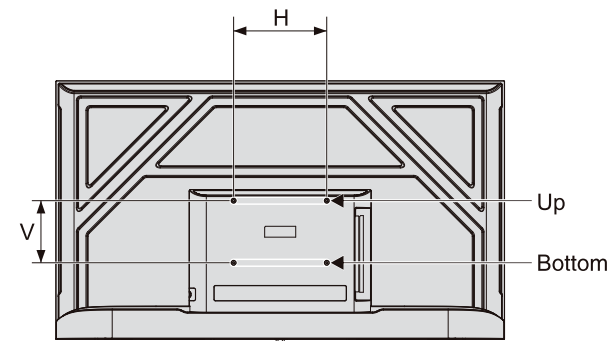
VESA mode			
NO.	Mode	Resolution	Refresh rate
1	VGA	640×480	60Hz
2	SVGA	800×600	60Hz
3	XGA	1024×768	60Hz
4	SXGA	1280×1024	60Hz
5	WXGA	1600×900	60Hz
6	WUXGA	1920×1080	60Hz
7	4K	3840×2160	30Hz
8			60Hz

**Remark:** Under 4K mode, 60Hz refresh rate is effective only under HDMI version 2.0/2.1.

## Use of a TV wall mounting

### Warning

- Please purchase a suitable TV wall mount when mounting your TV on the wall.
- Ensure that the bearing capacity of the wall for mount installation is no less than 4 times the weight of the TV set and the wall mount so as to avoid falling.
- Please refer to the instructions provided with the TV set and wall mount for installation.
- Make sure there is no cable or conduit in the wall section where a wall mount will be installed.
- Please entrust a professional technician to complete installation. The company shall not be liable for accidents, personal injury or damage caused by improper installation of TV set.
- Do not install/mount the TV with tilting condition.



L1: Thickness of wall mount

L1': Thickness of wall mount

Distance between holes on the wall( $H \times V$ )(mm)	Required screws (recommended bolt length)(mm)
50"/55": 300 x 300	Up: 2 x M6 ( $18.5 + L1 \leq L \leq 30 + L1$ ), Machine screws Bottom: 2 x ST6 ( $6 + L1' \leq L' \leq 9.5 + L1'$ ), Flat tail self-tapping screws
65": 300 x 300	Up: 2 x M6 ( $18.5 + L1 \leq L \leq 30 + L1$ ), Machine screws Bottom: 2 x M6 ( $14 + L1' \leq L' \leq 28 + L1'$ ), Machine screws

### Note:

- If any screws are found in the screw hole for wall mount behind the TV set before installing the wall mount, the screws shall be removed and put in place for later use.
- Please buy the wall screws according to the actual situation.
- If there are flat tail self-tapping screws in the accessories, please decide whether it is suitable for use according to the actual situation of the wall mount.

## HDMI™

The terms HDMI, HDMI High-Definition Multimedia Interface, HDMI Trade dress and the HDMI Logos are trademarks or registered trademarks of HDMI Licensing Administrator, Inc.

## Dolby AUDIO

Manufactured under license from Dolby Laboratories. Dolby, Dolby Audio, and the double-D symbol are trademarks of Dolby Laboratories Licensing Corporation.

# SHARP

SHARP CORPORATION

