

SHARP

Model

EC-SA95S-R

Cordless Vacuum Cleaner

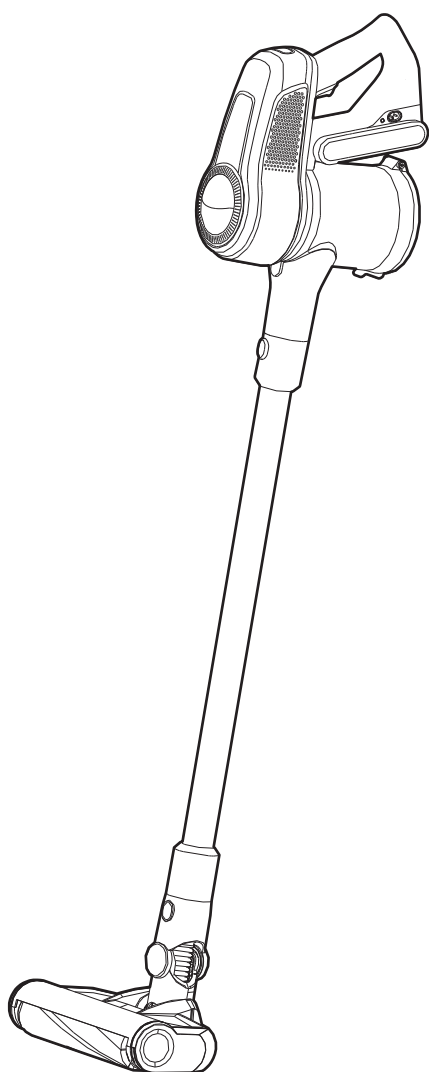
Household
use

Operation Manual

CONTENTS

Pages

PRECAUTIONS	1
PART NAMES	2
PART INSTALLATION	3
CONNECTION OF ACCESSORY	5
USE OF VACUUM CLEANER	6
MAINTENANCE	8
STORAGE	9
TROUBLESHOOTING	10
SPECIFICATIONS	Back Cover

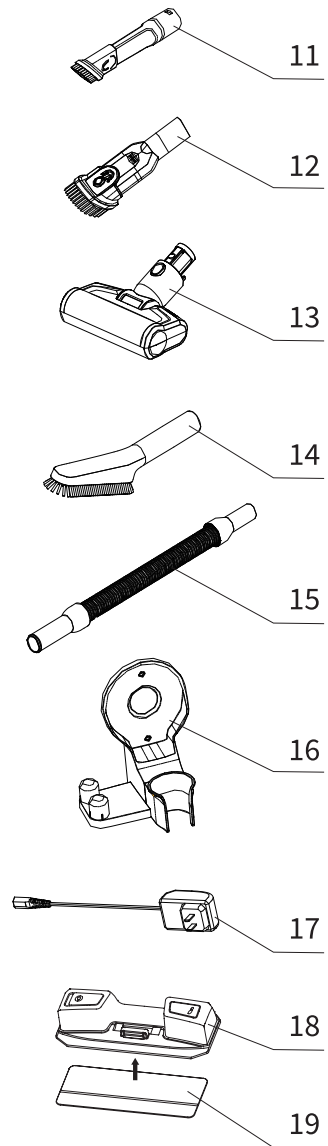
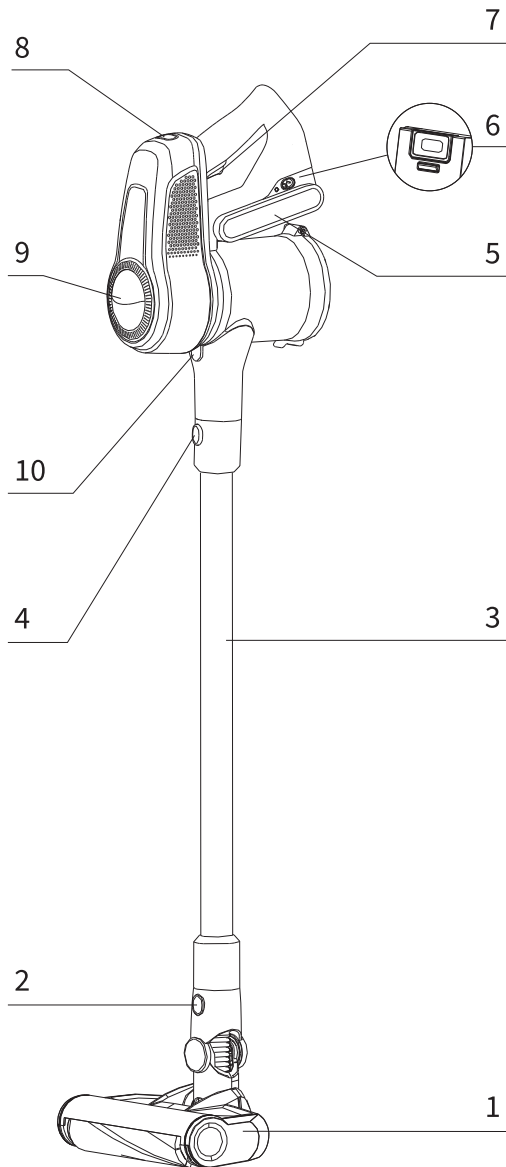


Thank you very much for buying SHARP product.
Before using the product, please read this operation manual
carefully and keep it properly.

PRECAUTIONS

1. The vacuum cleaner is especially used for household purpose, and please do not use it for commercial or other purposes.
2. Please do not use the vacuum cleaner to suck detergent, kerosene, glass waste, needles, cigarette ash, moisturized dust, sewage, matches and similar articles.
3. Please do not use the vacuum cleaner to suck cement, gypsum powder, wall power and similar small particles, or toy, paper filler and other larger objects which can cause vacuum cleaner clogging, motor burnout and other fault.
4. Please do not use the vacuum cleaner near fire source and other high temperature places.
5. When the vacuum cleaner is used, please pay attention to install Hepa and rolling brush.
6. When the vacuum cleaner is used, please note that the suction inlet cannot be clogged and rolling brush cannot be blocked, otherwise motor failure may be caused.
7. Please do not dump or splash water or other liquid into the machine, to avoid short-circuit and burn-out of machine.
8. Before new battery is used or the battery is used for the first time after long-term storage, please fully charge the battery. When the machine is stored and not used for long term, please ensure that the battery pack is fully charged. And ensure that the battery should be charged and discharged at least once every three months.
9. Please pull out the plug when vacuum cleaner need to be cleaned or repaired after fully charged. Please hold the plug when remove or insert the power cord. Do not pull out the plug cord forcefully.
10. When you need to use Hepa accesories, gently wipe them using dry towel. Do not use the wet Hepa accesories, otherwise it may burn out the machine due to short-circuit.
11. Please use dry cloth for cleaning vacuum cleaner, do not use gasoline or any other substance that will cause damage to the vacuum cleaner outer case.
12. Please do not use the product near any substance that is flammable or allow such sunstance to be suctioned inti the product.
13. Use the vacuum cleaner in temperature of 5°C - 40°C. Please store it in a cool and dry place. Sunlight exposure for long time should be prohibited.

PART NAMES



- 1. Electric floor brush
- 2. Brush release button
- 3. Metal tube
- 4. Metal tube release button
- 5. Battery pack
- 6. Battery release button
- 7. Switch button
- 8. Speed control button
- 9. Hepa assembly
- 10. Dust cup release button

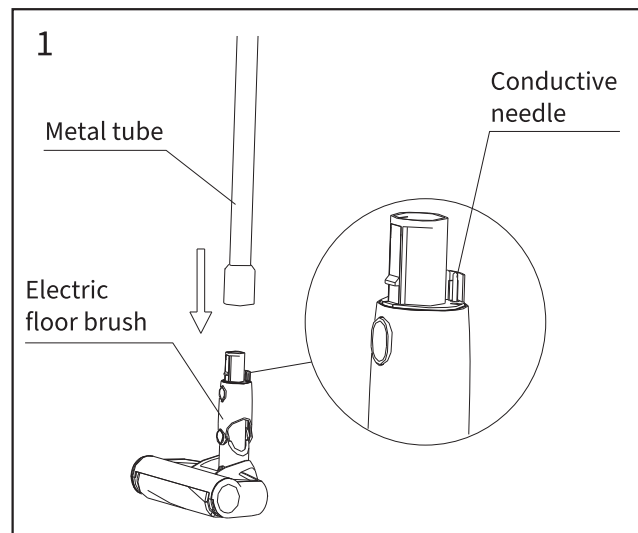
- 11. Two-in-one flat brush
- 12. Two-in-one sofa brush
- 13. Electric mite-removal brush
- 14. Soft brush
- 15. Telescopic hose
- 16. Charging base
- 17. Charging adapter
- 18. Water tank
- 19. Mop cloth

PART INSTALLATION (1)

Installation of electric floor brush and metal tube

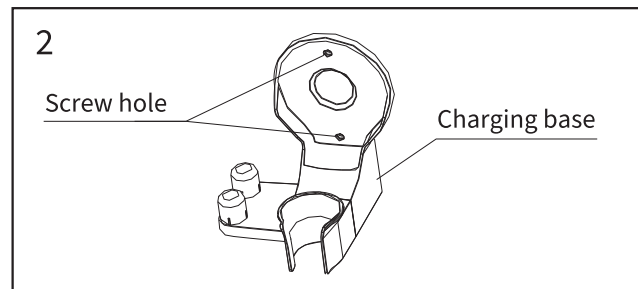
You can use a hand to hold the electric floor brush by following this direction shown in the illustration and then use the other hand to vertically insert the mounting hole of the floor brush at the bottom of the metal tube into the floor brush connector and press down the metal tube until you hear a “click” sound. (Fig. 1)

Note: When assembling, you shall keep the handle direction in line with the floor brush direction and align with the conductive needle and the socket.



Installation of charging base

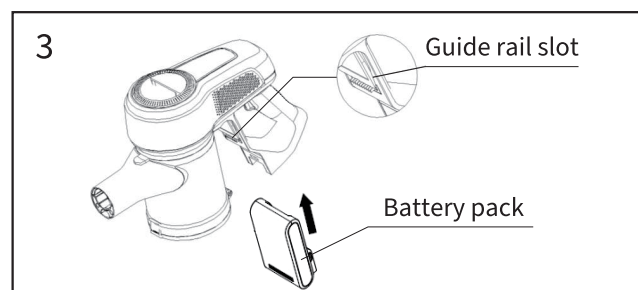
Please fix the charging base on the wall with screw, for easy take and put. (Fig. 2)



Installation of battery pack and hand-held vacuum cleaner

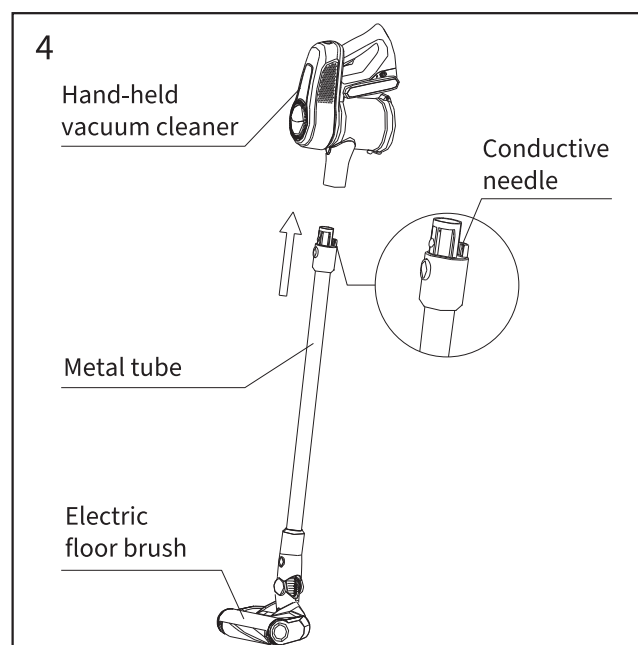
Installation of battery pack: you can use a hand to hold the hand-held vacuum cleaner firmly, the other hand to hold the battery pack to aim at the guide rail slot on the body, and then fasten the battery pack in the arrow direction as shown in the illustration. After installation, the battery pack shall not be gotten loose when you try hard to pull down it. (Fig. 3)

Note: When the vacuum cleaner is not used for a long time, please remove the battery pack, pack the machine and store it in a cool and dry place. Do not put it in direct sunlight or humid environment.



Installation of electric floor brush and metal tube to hand-held vacuum cleaner

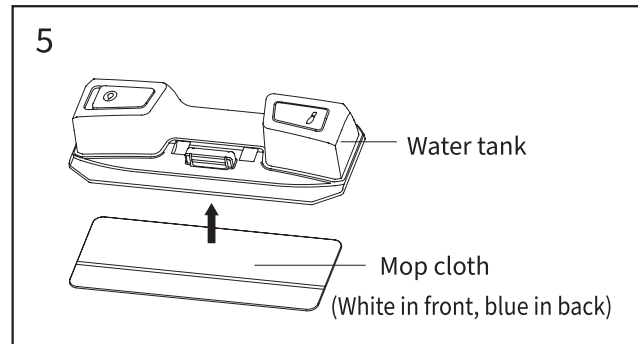
Installation of electric floor brush, metal tube and the hand-held vacuum cleaner: as the arrow shown in illustration, the metal tube conductive needle aligns with the suction nozzle of hand-held vacuum cleaner and push upward until you hear a “click” sound. (Fig.4)



PART INSTALLATION (2)

Installation of mop kit (water tank and mop cloth)

Place the water tank on the floor and attach the mop cloth on the bottom of the tank to wipe the floor. White cloth is in the front part, blue part is in the back part. (Fig. 5)

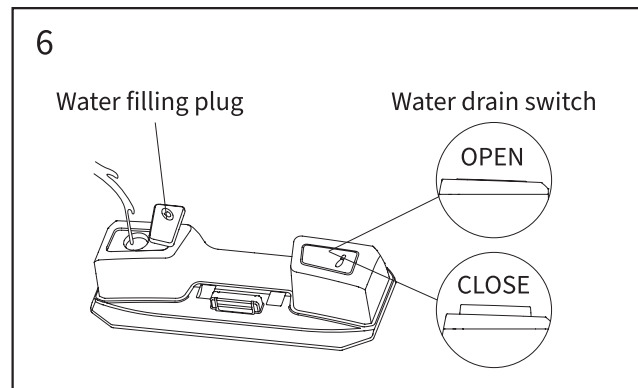


Fill the water tank with water

When using this product for the first time, the water drain switch may be in the open state, please close the switch to prevent water from leaking out. When you need to use it, open the water filling plug and fill it with water and open the water drain switch. (Fig. 6)

Note:

1. After using, please pour out the remaining water, clean the floor brush water tank and mop cloth, and dry them.
2. The water tank cannot be used directly to absorb water.
3. Please fill the water tank with clean water at room temperature, do not add detergent.

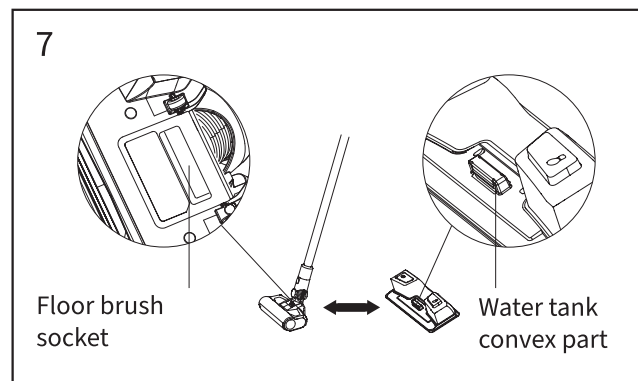


Installation of water tank and electric floor brush

Please place the water tank on the ground, hold the whole vacuum cleaner, and vertically assemble water tank into the connecting hole of the electric floor brush, and the press down metal tube firmly until you hear "click". After installation, just turn on the drain switch and start the vacuum cleaner for use. (Fig. 7)

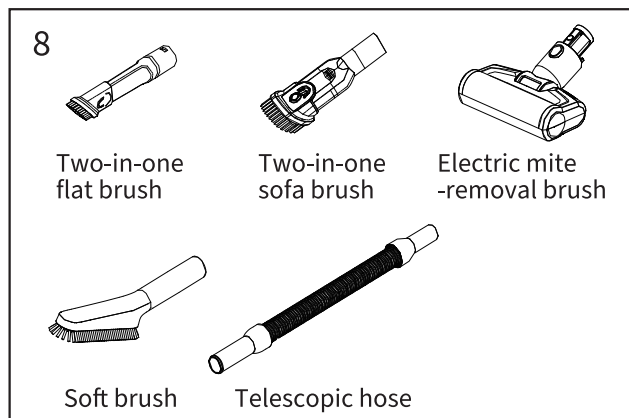
Note:

1. When assembling, the handle direction should be the same as the direction of the water tank, and align the convex part of the water tank and the floor brush socket.
2. The open state of the drain switch is that the switch is higher than the level of the water tank, and the closed state is that the switch is flush with the plane.



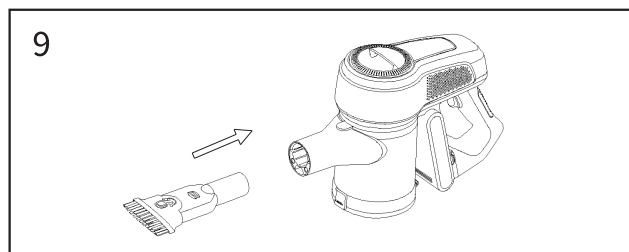
CONNECTION OF ACCESSORY

For the convenience of use, this product is specially equipped with accessories for the hand-held vacuum cleaner. When you use the hand-held vacuum cleaner alone, you can connect the accessories directly or through the telescopic hose if required. (Fig. 8)



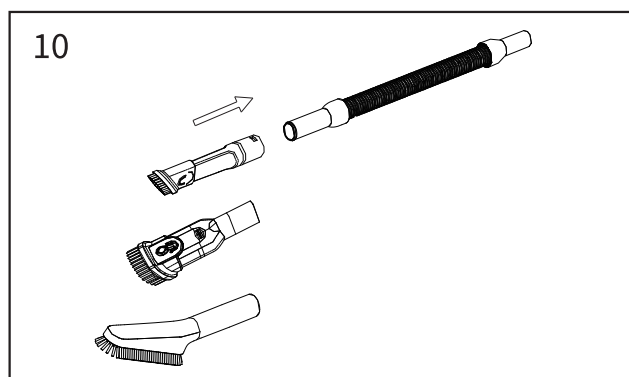
Connection between the hand-held vacuum cleaner and the accessory

As shown in the illustration, the accessory aligns with the suction nozzle of hand-held vacuum cleaner, and then insert it until you hear a “click” sound or it reaches the stop position. (Fig. 9)



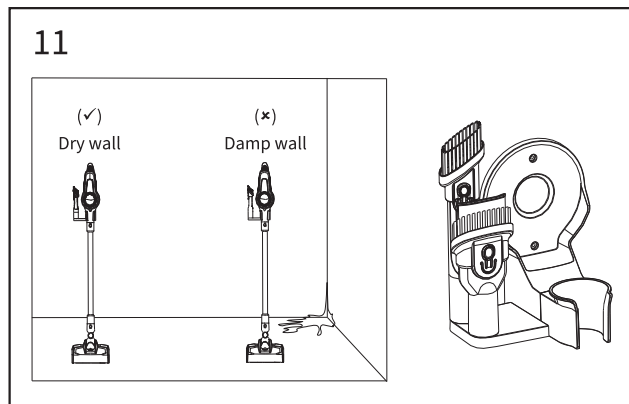
Connection between the telescopic hose and other accessory

As shown in the illustration, insert the accessory until it reaches the stop position. The accessories, which can be connected with the telescopic hose are as follows: two-in-one flat brush, two-in-one sofa brush and soft brush. (Fig. 10)



Connection between the accessory and the charging base

Please fix the charging base on a dry and clean wall in advance, and do not fix it on a damp wall such as a kitchen. After the accessory is used, you can place the accessory on the charging base as shown in the illustration. (Fig. 11)



USE OF VACUUM CLEANER (1)

Charging

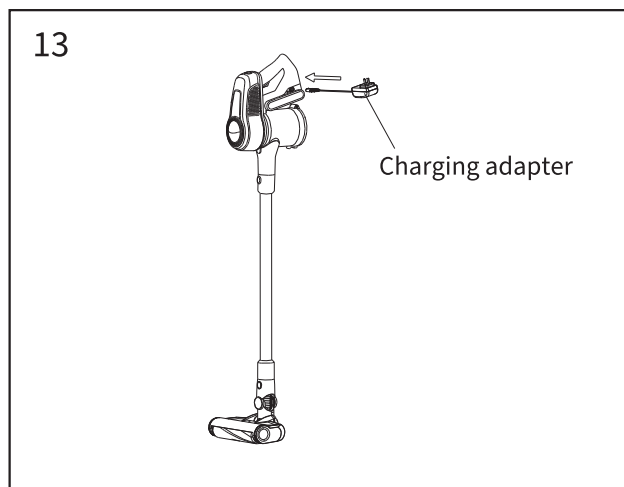
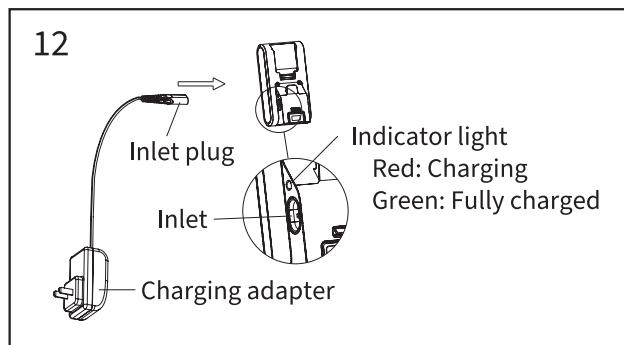
When use vacuum cleaner for the first time, the battery capacity will not be full, so need to be charged. Insert the charging adapter inlet plug to the inlet to fully charge the battery pack. (Fig. 12, 13)

Note: When used for the first time, please fully charge the battery, fully discharge the battery, and then charge it for the second time, in order to increase the battery life.

When the vacuum cleaner power is insufficient, please promptly charge the vacuum cleaner. When the voltage is too low, in order to protect the battery, the vacuum cleaner will start its automatic power-off protection function, at this point, you must charge the vacuum cleaner. The battery pack can be removed and charged separately (Fig. 12) or can be charged when it is assembled in the whole machine (Fig. 13). At this time, the indicator light of the battery pack shows "red", it means that the battery pack is charging.

The charging time is about 4-5 hours. When the indicator light of the battery pack changes from "red" to "green", it means that the battery pack is fully charged. At this point, the charger proceeds trickle charging and you can continue to charge 0.5-1 hours, so that the charging effect better.

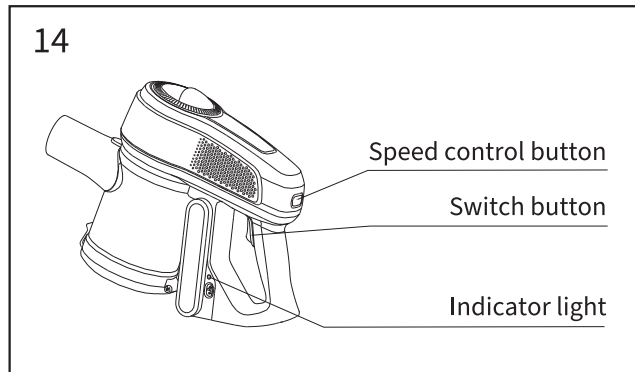
Note: If the power cord is damaged, it must be replaced by the manufacturer, its maintenance department, or a similar professional in order to avoid danger.



USE OF VACUUM CLEANER (2)

Use of hand-held vacuum cleaner

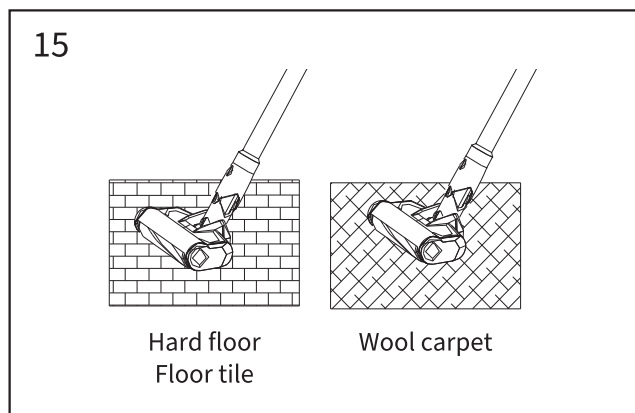
After removing the vacuum cleaner from the charging base, you can hold the switch button on the handle to control the start and stop of the vacuum cleaner. Press the switch button on the handle and the indicator light on the battery pack will be lit. At this time, it is in low gear. You can switch to high gear or to low gear by the speed control button. After starting, press the speed control button again to turn into high gear and then to low gear. At last, press the switch button to close the whole machine. (Fig. 14)



Use of electric floor brush

Use electric floor brush to clean dust on short wool carpet or hard floor and floor tile. (Fig. 15)

Note: The machine have a roller brush blocking function that intends to protect the personal safety and floor brush motor under the following circumstances: when the electric floor brush works, if it intakes the excessive volume foreign matters or too much entangled fibers, or the children's hands stretch into the roller brush chamber unexpectedly when they play the machine, as a result, the roller brush stops rotating abnormally and then the floor brush will power off and stop rotating.



Use of accessory

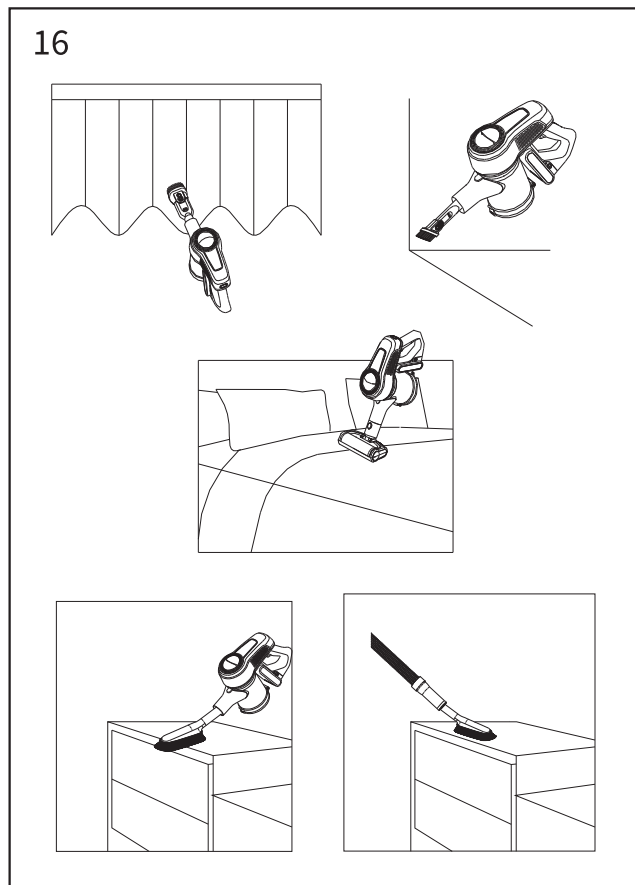
Two-in-one soft brush: suitable for cleaning the curtain, sofa and other fabric furnituse.

Two-in-one flat brush: suitable for cleaning slits, dead ends of doors and windows, and other narrow gaps.

Electric mite-removal brush: it is dedicated for sofas and mattresses. Sweep and remove the mites and bacteria hidden in the deep layer of the mattress or sofa.

Soft brush: suitable for cleaning furniture that is afraid of scratching materials, such as bookcases and handicrafts.

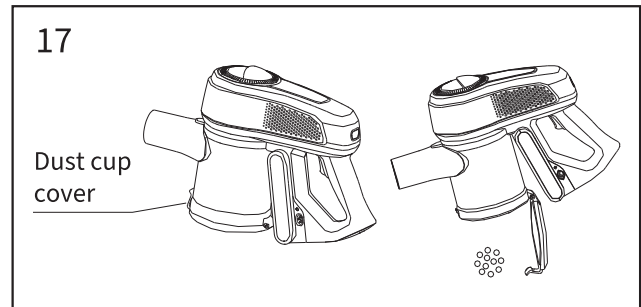
Telescopic hose: it is connected to the vacuum cleaner and accessories for flexible operation.



MAINTENANCE (1)

Clean the dust cup

1. Forcefully move the dust cup cover downward to dump the dust in it. (Fig. 17)
2. Forcefully press the dust cup release button and rotate the dust cup assembly in the direction shown in the illustration to separate the dust cup assembly from the body to further clean the dust cup. (Fig. 18)

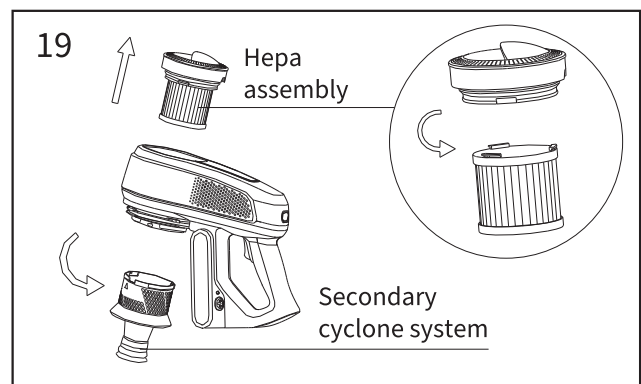
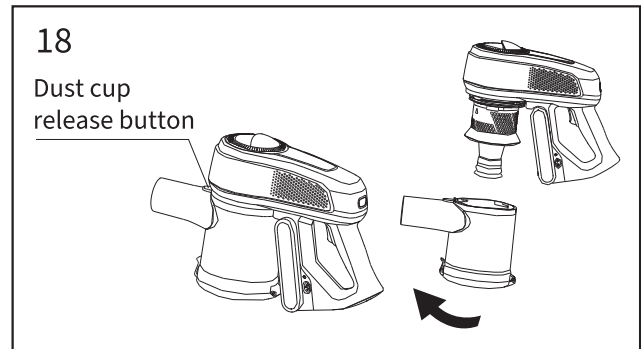


Clean the filter system

1. Rotate the secondary cyclone system in the direction shown in the illustration to remove them for cleaning or washing. (Fig. 19)
2. Pull up Hepa assembly to remove it, and then rotate it in the direction as shown in the illustration to separate the Hepa upper lid and the air inlet Hepa for cleaning or washing. (Fig. 19)
3. After cleaning or washing, fully dry and assemble it in the reverse order of disassembly and use it again. (Fig. 20)

Note:

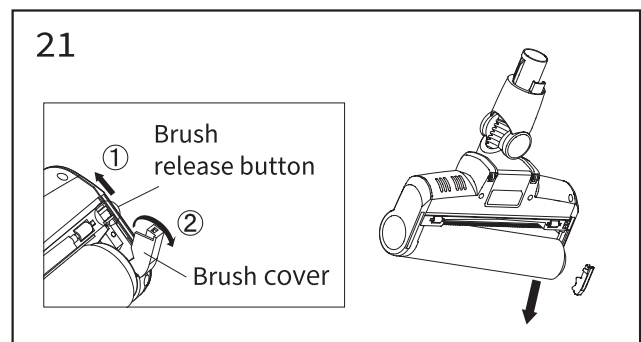
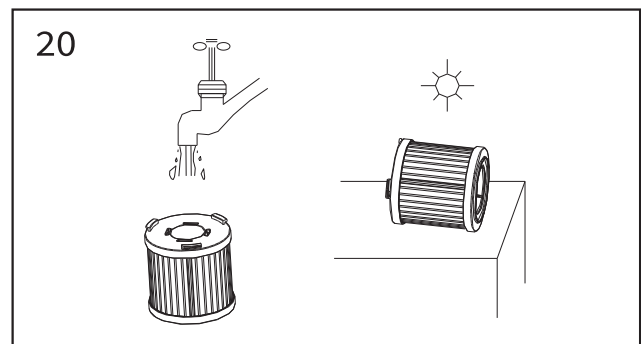
1. It is recommended to clean the dust cup every time after use. When the Hepa is blocked due to excessive dust, it needs to be cleaned or washed.
2. Hepa should be fully dried before installation.



Clean the electric floor brush

1. Turn the roller brush release button with your finger in the direction shown in the illustration and take out the brush cover at the roller brush side. (Fig.21)
2. Remove one end of the roller brush from the slot in the direction shown in the illustration and then clean it. (Fig.21)
3. After cleaning, install it in the reverse order of disassembly.

Note: After the electric floor brush has been used for a long time, its brush may wind around the hairs and the long flosses. Such materials shall be cleaned so that the vacuum cleaner can work more efficiently.



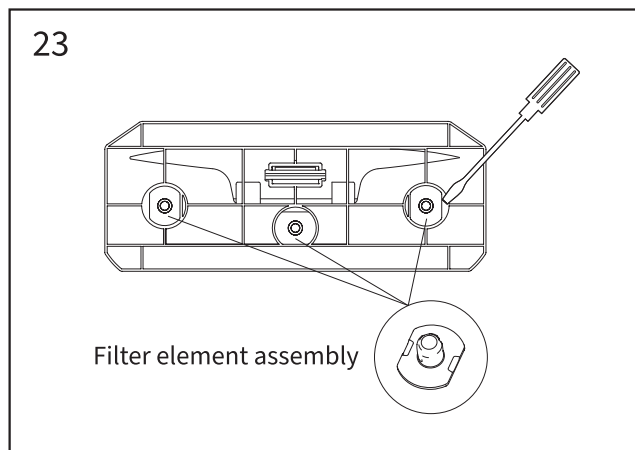
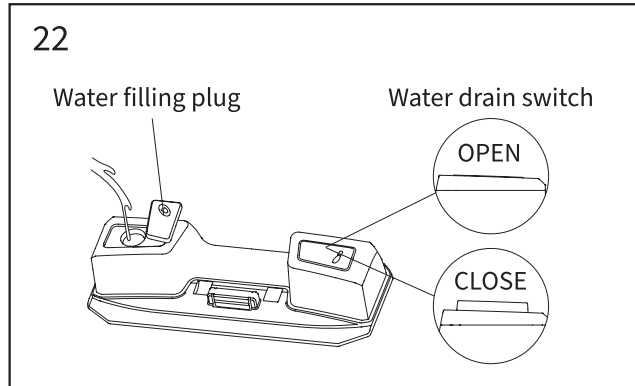
MAINTENANCE (2)

Clean the mop kit (water tank and mop cloth)

1. Fill in the water tank with clean water, and close the water filling plug and water drain switch, shaking up and down, from side to side, then pour out the water. (Fig. 22)
2. It is recommended to clean the mop cloth after each use.
3. Replace the filter element assembly: gently pry along the notch of the filter element assembly in a single batch. During the prying process, cover the filter element assembly by hand to prevent accidental injury after the filter element assembly is ejected. Replace the filter element assembly to press it as it is into the bottom of the water tank. (Fig. 23)

Note:

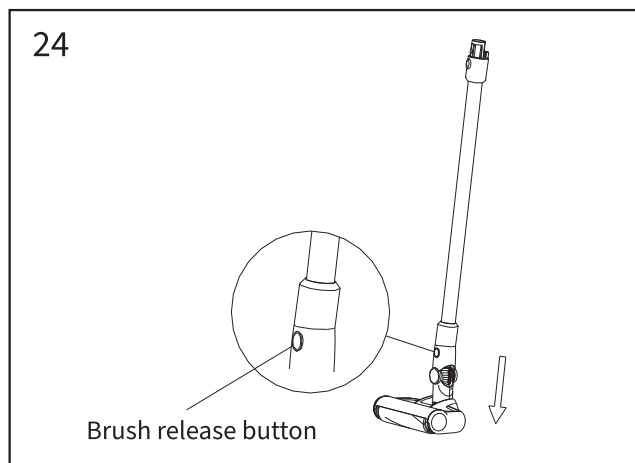
1. It is recommended to clean the water tank regularly for more effective use.
2. With long-term use, the pollutants in it may block the filter element assembly and affect the water output speed of the water tank.



STORAGE (1)

Disassemble the electric floor brush and the metal tube

When packing, storing or cleaning the vacuum cleaner, if you need to remove the electric floor brush, please hold down the brush release button and pull the electric floor brush in the direction shown in the illustration and remove it. (Fig. 24)



STORAGE (2)

Disassemble the battery pack

Press the battery pack release button and remove the battery pack in the direction shown in the illustration. Put the battery in a plastic bag and store in a dry place. (Fig. 25)

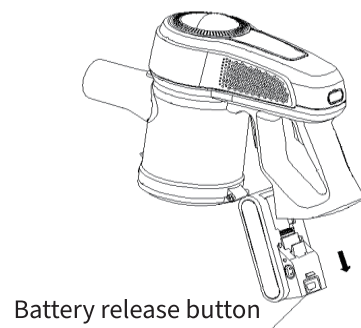
Disassemble the hand-held vacuum cleaner and the metal tube

Please fix the position of the hand-held vacuum cleaner first, press the metal tube release button, and pull out the metal tube in the direction shown in the illustration. (Fig. 26)

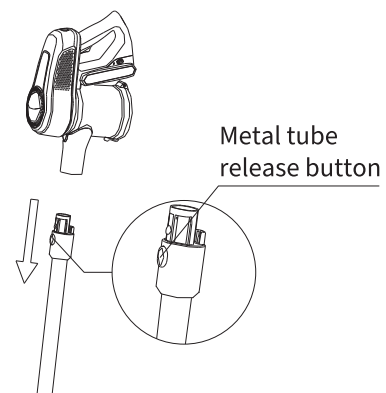
Storage

When the vacuum cleaner is not used for a long time, please remove the battery. Pack the machine and store it in a cool, dry place. Do not put in direct sunlight or damp environment.

25



26



TROUBLESHOOTING

Failure	Possible reason	Solution
The motor is not working.	<ul style="list-style-type: none"> • The battery does not have power. • Metal tube, electric floor brush, battery pack and hand-held vacuum cleaner are not assembled in place. 	<ul style="list-style-type: none"> • Charge the battery pack. • Check that the components and the hand-held vacuum cleaner are assembled correctly.
Suction force is reduced.	<ul style="list-style-type: none"> • Dust cup has been filled with dust. • Filter is filled with dust. • Air inlet pipe of the electric floor brush or the roller brush is blocked. 	<ul style="list-style-type: none"> • Dump the dust in the dust cup. • Clean or replace the filter. • Clean the rubbish attached to the roller brush.
The light does not turn red while charging.	<ul style="list-style-type: none"> • Battery is not installed properly. 	<ul style="list-style-type: none"> • Check whether the battery pack is assembled correctly
The operation time is not enough after charging.	<ul style="list-style-type: none"> • The charging time is not sufficient. • Battery is ageing. 	<ul style="list-style-type: none"> • Charge the battery fully as directed in the charging section. • Purchase new battery from appointed repair station since battery belongs to consumables.

SPECIFICATIONS

Model name	EC-SA95S-R
Rated voltage	21.6 V ⁼⁼ (Lithium ion battery)
Charging adapter voltage	Input: 100 - 240 V~ 50/60 Hz 0.5 A Output: 25 V ⁼⁼ 0.6 A 15.0W
Battery pack capacity	2500 mAh
Dust cup capacity	0.5 L
Operation time (Use with electric floor brush)	High gear: 6.5±2min Low gear: 32±3min
Operation time (Use without electric floor brush)	High gear: 7min±2min Low gear: 45min±3min
Charging time	4.5H±0.5 hours
Product dimension (W x D x H)	251 mm x 204 mm x 1030 mm
Product weight	2.4 kg

SHARP
SHARP CORPORATION