

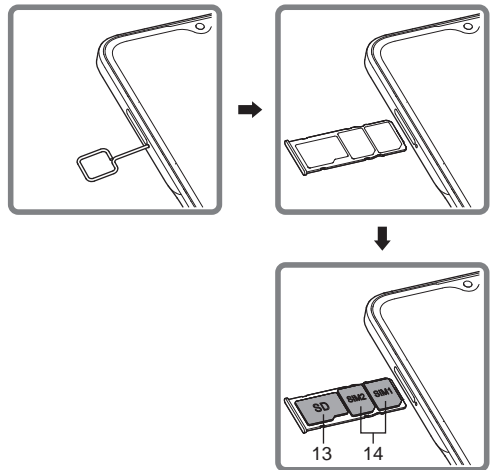
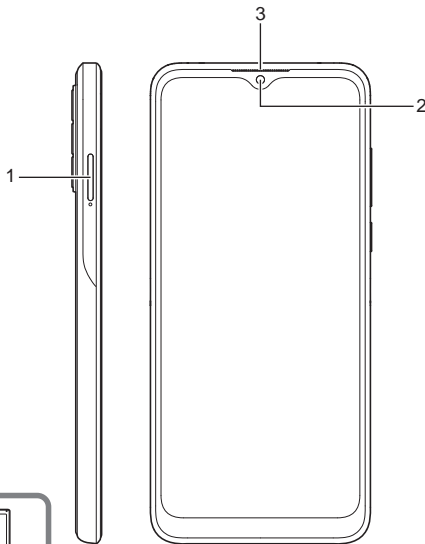
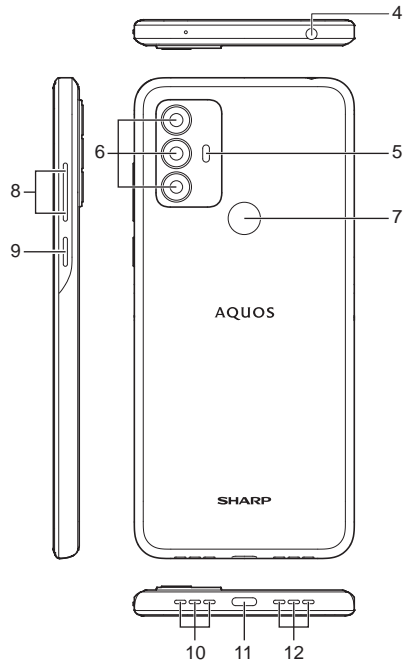
AQUOS V6 / AQUOS V6 plus

Model: SH-C03/SH-C04

Quick Start Guide

<Prohibited Actions>

- Do not charge handset while it is wet with water or other liquids (drinking water, sweat, sea water, etc.).
- Do not charge handset where exposed to water (bathroom, etc.).



Part Names

- | | |
|---------------------------------|--------------------------|
| 1. nanoSIM/microSD Tray | 10. Speaker |
| 2. Front Camera | 11. USB Type-C Connector |
| 3. Earpiece or Earpiece/Speaker | 12. Microphone |
| 4. 3.5mm Earphone Jack | 13. microSD Card |
| 5. Mobile Light | 14. nanoSIM Card |
| 6. Rear Camera | |
| 7. Fingerprint Sensor | |
| 8. Volume Up/Down key | |
| 9. Power Key | |

Note: It is recommended that you charge the battery for at least 30 minutes before starting up your device for the first time.

Important Information

Please read before proceeding

- DO NOT place sharp objects on top of the device, as they may scratch the screen.
- DO NOT drop your device or subject it to severe impacts.
- Bending the body and pushing the display or keys with extreme force could damage the device.
- DO NOT use a pen or any sharp object to tap the screen.
- DO NOT expose the device to dirty or dusty environments.
- Use this device in the temperature range of 5 °C ~ 35 °C and humidity: 35% ~ 90%.
- Charge handset in ambient temperature 5 °C ~ 35 °C; Internal Battery may leak/overheat and performance may deteriorate outside this range.
- DO NOT place the device on an uneven or unstable surface.
- DO NOT insert any foreign objects into the device.
- DO NOT expose the device to strong magnetic or electrical field.
- DO NOT use or store this equipment in a place where it will be exposed to high temperatures, such as near an open flame or heat-emitting equipment.
- DO NOT use it or store it where fluids such as water can splash onto it.
- Only use accessories provided by the manufacturer.
- Disconnect the device from an electrical outlet and power off before cleaning the device.
- NEVER attempt to connect or disconnect the power adapter with wet hands.
- Clean the touch screen with a soft cloth. If needed, dampen the cloth slightly before cleaning.
- Never use abrasives or cleaning solutions.
- DO NOT disassemble the device. Only a certified service technician should perform repair.
- Please check with your Local Authority or retailer for proper disposal of electronic products.
- For USB connection, users must use a USB 2.0 (or higher version) cable.
- The adapter shall be installed near the equipment and shall be easily accessible.
- The temperature of the device might increase while the CPU is busy handling resource consuming activities such as high resolution video decoding. The SW protection mechanism will ensure stop charge whenever the temperature is over the predefined threshold and prepare for shut down if necessary.
- Please do not worry.
- Use a wireless hands-free system (headphone, headset) with a low power Bluetooth equipment.
- It is confirmed that the device has a low SAR.
- Keep your calls short or send a text message (SMS) instead.
- This advice applies especially to children, adolescents and pregnant women.
- People having active medical implants should preferably keep the device at least 15 cm away from the implant.
- Actual available capacity of user storage and internal memory is less because of the operating system, software and other functions which utilize part of this capacity. The available capacity may change with software updates.
- The wet body must not be charged. The specified charger is not waterproof.
- Do not place the SIM Eject PIN where the young children can reach it so that they are not allowed to swallow it.
- Be especially careful with regard to the storage location of small parts such as the SIM/SD card and SIM Eject PIN.
- Prevention of Hearing Loss.
- To prevent hearing damage, do not listen at high volume levels for long periods.
- Changes or modifications to this product not authorized by the manufacturer could void the compliance and negate your authority to operate the product.

Safety Precautions for Battery Use

- The device battery can not be removed, please do not disassemble.
- There is the danger of explosion if disassemble by unauthorized personnel.
- Recycle or dispose used batteries according to the local regulations.

Road and Environmental Safety

- Turn off the device in areas with a potentially explosive atmosphere or where flammable objects exist such as gas stations, fuel depots, and chemical plants among others. Sparks from these areas could cause explosion or fire and result in injury or even death.
- Do not use hand-held devices while driving a vehicle. Use hands-free devices as an alternative.

Safety in Aircraft

Do not use the device on board an aircraft. The device's network signals may cause interference to the navigation system. As a safety measurement, it is prohibited to use devices on board in most countries.

Copyright Information

- Copyright© SHARP Corporation, 2012, All rights reserved.
- This product has an Android™ platform based on Linux, which can be expanded by a variety of JME-based application SW.
- Android is a trademark of Google LLC.
- microSD™ is a trademark of SD Card Association.
- USB Type-C™ is a trademark of USB Association.
- LTE is a trademark of ETSI
- All products use in this device and trademarks mentioned herein are trademarks or registered trademarks of their respective owners.

Intellectual Property Right Information

This product has an Android platform based on Linux, which can be expanded by a variety of Java-Script-based application SW.

The Bluetooth® word mark and logos are registered trademarks owned by Bluetooth SIG, Inc. and any use of such marks by SHARP Corporation is under license.



Wi-Fi®, the Wi-Fi CERTIFIED logo and the Wi-Fi logo are trademarks of Wi-Fi Alliance. All technologies and products used in this device are the intellectual property rights owned by individual owners.

THIS PRODUCT IS LICENSED UNDER THE AVC PATENT PORTFOLIO LICENSE FOR THE PERSONAL AND NONCOMMERCIAL USE OF A CONSUMER TO (i) ENCODE VIDEO IN COMPLIANCE WITH THE AVC STANDARD ("AVC VIDEO") AND/OR (ii) DECODE AVC VIDEO THAT WAS ENCODED BY A CONSUMER ENGAGED IN A PERSONAL AND NONCOMMERCIAL ACTIVITY AND/OR WAS OBTAINED FROM A VIDEO PROVIDER LICENSED TO PROVIDE AVC VIDEO. NO LICENSE IS GRANTED OR SHALL BE IMPLIED FOR ANY OTHER USE. ADDITIONAL INFORMATION MAY BE OBTAINED FROM MPEG LA, L.L.C. SEE [HTTP://WWW.MPEGLA.COM](http://www.MPEGLA.COM)



Compliance Information

SAR Information

THIS MOBILE DEVICE MEETS GUIDELINES FOR EXPOSURE TO RADIO WAVES. Your mobile device is a radio transmitter and receiver. It is designed not to exceed the limits for exposure to radio waves recommended by international guidelines. These guidelines were developed by the independent scientific organization ICNIRP and include safety margins designed to assure the protection of all persons, regardless of age and health.

The exposure guidelines for mobile devices employ a unit of measurement known as the Specific Absorption Rate or SAR. The SAR limit stated in the ICNIRP guidelines is 2.0 W/kg averaged over 10 grams of tissue. Tests for SAR are conducted using standard operating positions with the device transmitting at its highest certified power level in all tested frequency bands. The actual SAR level of an operating device can be below the maximum value because the device is designed to use only the power required to reach the network. That amount changes depending on a number of factors such as how close you are to a network base station. The highest SAR value under the ICNIRP guidelines for use of the device at the ear is 1.126 W/kg (the measure distance of 0 mm) and at the body is 1.30 W/kg (the measure distance of 5 mm). Use of device accessories and enhancements may result in different SAR values. SAR values may vary depending on national reporting and testing requirements and the network band.

Maximum transmit power

GSM 900MHz: 31.6 dBm
GSM 1800MHz: 30.3 dBm
UMTS B1 (2100MHz): 25.5 dBm
UMTS B8 (900MHz): 25.3 dBm
LTE FDD B1/3/7/20/28 (2100/1800/2600/800/700MHz): 24 dBm
LTE FDD B8 (900MHz): 24.5 dBm
LTE TDD B38/40 (2600/2300MHz): 24 dBm
Bluetooth 2.4GHz band: 11.57 dBm
Bluetooth LE 2.4GHz band: -1.53 dBm
802.11 b/g/n 2.4GHz band: 17.66 dBm
NFC 13.56 MHz: -15.12 dBuA/m at 10m

Sales company: SHARP SINGAPORE ELECTRONICS CORPORATION PTE. LTD.
Address: 438B Alexandra Road, #06-02, Alexandra Technopark, Singapore 119968

Contents of Accessories

Charger
USB cable
SIM Eject Pin
Headset
Quick Start Guide (This document)