





# SHARP AQUOS

## androidtv

LED BACKLIGHT TV / MONITOR

OPERATION MANUAL

- Please choose your favourite page from the content.  
If you want to close the operation manual, press the  **(HOME)** button.  
Also, if you want to return to the previously displayed page, press the  **(Back)** button.

 **DOLBY AUDIO™**

**HDMI™**  
HIGH-DEFINITION MULTIMEDIA INTERFACE

**WiFi®**  
CERTIFIED

 **Bluetooth®**

**1. Get started**

- 1-1. Introduction - TV
- 1-17. Introduction - Monitor
- 1-29. Introduction - Remote Control Unit
- 1-35. Introduction of Android TV™ - Entertainment Hub
- 1-37. Introduction of Android TV - What Android TV can do
- 1-37. Introduction of Android TV - Unique feature from SHARP
- 1-38. Initial setup
- 1-39. Software Updates via Over-The-Air (OTA)
- 1-40. Updating the TV's Software

**2. TV and Channel settings**

- 2-1. How to tune the channel
- 2-1. Auto channel update
- 2-2. Hong Kong DTV channel setting
- 2-2. Hong Kong DTV menu setting
- 2-3. Channel settings-Programme edit
- 2-3. Channel settings-How to change Audio language and Soundtracks
- 2-3. Channel settings-How to enable Subtitle (Except Hong Kong)
- 2-4. Channel settings-How to launch EPG
- 2-5. Channel settings-How to change Audio channel
- 2-6. Channel settings-How to operate Parental controls
- 2-7. Teletext settings (DTV only) (Except Taiwan and Hong Kong)
- 2-7. Postal code (Indonesia only)
- 2-7. System information (Except Hong Kong)

**3. Connection/External Devices**

- 3-1. Network and Internet
- 3-4. Chromecast built-in compatible devices
- 3-4. Audio Devices
- 3-5. Bluetooth setup
- 3-6. USB

**4. Smart Apps**

- 4-1. The Google™ Assistant or Google Search
- 4-1. Google Play Store
- 4-1. Google Account setting
- 4-2. Keyboard
- 4-3. Unique feature from SHARP
- 4-4. Tools screen setting

**5. Picture settings**

- 5-1. Picture Mode (Changing Pic. Quality)
- 5-1. Configuring Picture settings
- 5-2. Configure advanced Picture settings
- 5-2. HDR related settings
- 5-3. Unique Picture setting from SHARP
- 5-4. Input settings

**6. Sound settings**

- 6-1. Audio Mode
- 6-1. Configuring Sound settings
- 6-2. Configure advanced Sound settings
- 6-2. Unique Sound setting from SHARP

**7. Other**

- 7-1. Sleep Timer
- 7-1. Switch Off Timer
- 7-1. No Signal Off
- 7-1. Screen saver
- 7-1. Storage
- 7-1. Accessibility
- 7-1. Auto sleep
- 7-1. Reset

**8. Appendix**

- 8-1. Troubleshooting
- 8-2. Troubleshooting - Error Message
- 8-3. Trademarks
- 8-4. Specifications
- 8-9. Dimensional Drawings
  - 4T-C50BK1X / 4T-C50BK1I
  - 4T-C50BK1X (Hong Kong only)
  - 4T-C50BJ1T/3T (Taiwan only)
  - 4T-C60BK1X
  - 4T-C60BK1X (Hong Kong only)
  - 4T-C60BJ1T/3T/5T (Taiwan only)
  - 4T-C60BK1T (Taiwan only)
  - 4T-C60CK1X
  - 4T-C70BK1X
  - 4T-C70BK1X (Hong Kong only)
  - 4T-C70BJ1T/3T/5T (Taiwan only)
  - 4T-C70BK1T (Taiwan only)
  - 4T-C80CL1X
  - 4T-C80CL1X (Taiwan only)





# IMPORTANT INFORMATION



## Dear Sharp customer

Thank you for your purchase of the SHARP LCD colour TV product. To ensure safety and many years of trouble-free operation of your product, please read the Important Safety Precautions carefully before using this product.

**WARNING: TO REDUCE THE RISK OF FIRE OR ELECTRIC SHOCK, DO NOT EXPOSE THIS PRODUCT TO RAIN OR MOISTURE.**

 <div data-bbox="309 486 526 571" style="border: 1px solid black; padding: 2px;"> <p style="text-align: center; margin: 0;"><b>CAUTION</b></p> <p style="text-align: center; margin: 0;">RISK OF ELECTRIC SHOCK DO NOT OPEN</p> </div> 	<p>The lightning flash with arrow-head symbol, within an equilateral triangle, is intended to alert the user to the presence of uninsulated "dangerous voltage" within the product's enclosure that may be of sufficient magnitude to constitute a risk of electric shock to persons.</p> <p>The exclamation point within a triangle is intended to alert the user to the presence of important operating and maintenance (servicing) instructions in the literature accompanying the product.</p>
<p>CAUTION: TO REDUCE THE RISK OF ELECTRIC SHOCK, DO NOT REMOVE COVER (OR BACK). NO USER-SERVICEABLE PARTS INSIDE. REFER SERVICING TO QUALIFIED SERVICE PERSONNEL.</p>	

**CAUTION: TO PREVENT ELECTRIC SHOCK, MATCH WIDE BLADE OF PLUG TO WIDE SLOT, FULLY INSERT.**

EN Important1

## Precautions For Daily Use

### Observe the following items

#### Maintenance of the cabinet

- When cleaning the cabinet, use a soft cloth (made of cotton, floss, etc.) to clean gently.
- Do not use a dry or damp rag mixed with chemicals, as this could cause the ingredients of the cabinet body to deteriorate or crack.
- Be careful not to use an abrasive cloth for cleaning or clean with excessive force, as this could scratch the surface of the cabinet.
- If the cabinet is greatly soiled, clean with a soft cloth (made of cotton, floss, etc.) soaked with a small amount of diluted neutral detergent and wrung out, and then clean with a soft dry cloth.
- Solvents such as benzene or thinner could cause the cabinet to deteriorate, or make its coating come off. Therefore do not use such solvents to clean the cabinet.
- Because plasticizer is included in the plastics, deterioration or the coating peeling off could occur when the cabinet comes into contact with some substances. Therefore keep it away from volatile substances such as insecticide. In addition, do not let it come into contact with objects made of rubber, resin, etc. for a long time.

#### Maintenance of the LCD panel

- Before cleaning the LCD panel, be sure to turn off the TV set and unplug the power cord from the outlet.
- When cleaning the LCD panel, use a dry and soft cloth (made of cotton, floss, etc.) to clean the surface of the LCD panel gently. For protecting the LCD panel, do not clean with a dirty cloth, detergent, or a dry or damp rag mixed with chemicals, as this could cause peeling of the panel surface.
- Be careful not to clean with an abrasive cloth or with excessive force, as this could cause the panel surface to be scratched.
- If the LCD panel is greatly soiled, clean it gently with a soft cloth (made of cotton, floss, etc.) soaked with a small amount of water (Do not clean with excessive force, so as to avoid the scratch of the panel surface).
- If dust sticks on the surface of the LCD panel, clean the panel with a commercially available cleaning brush (anti-static brush).

## Important safety precautions

### Caring for the cabinet

- Use a soft cloth (cotton, flannel, etc.) and gently wipe the surface of the cabinet.
- Using a chemical cloth (wet/dry sheet type cloth, etc.) may deform the components of the main unit cabinet or cause cracking.
- Wiping with a hard cloth or using strong force may scratch the surface of the cabinet.
- If the cabinet is very dirty, wipe with a soft cloth (cotton, flannel, etc.) soaked in neutral detergent diluted with water and thoroughly wrung out, and then wipe with a soft dry cloth.
- The cabinet is primarily made of plastic. Avoid using benzene, thinner, and other solvents, as these may deform the cabinet and cause the paint to peel off.
- Do not apply insecticides or other volatile liquids.
- Also, do not allow the cabinet to remain in contact with rubber or vinyl products for a long period of time. Plasticizers inside the plastic may cause the cabinet to deform and cause the paint to peel off.
- When relocating the product placed on a cart, it must be moved with utmost care. Sudden stops, excessive force and uneven floor surface can cause the product to fall from the cart.



### Caring for the front panel

- Turn off the main power and unplug the AC cord from the wall outlet before handling.
- Gently wipe the surface of the front panel with a soft cloth (cotton, flannel, etc.).
- To protect the front panel, do not use a dirty cloth, liquid cleaners, or a chemical cloth (wet/dry sheet type cloth, etc.). This may damage the surface of the front panel.
- Wiping with a hard cloth or using strong force may scratch the surface of the front panel.
- Use a soft damp cloth to gently wipe the front panel when it is really dirty (It may scratch the surface of the front panel when wiped strongly).
- If the front panel is dusty, use an anti-static brush, which is commercially available, to clean it.
- Water and moisture — Do not use the product near water, such as bathtub, washbasin, kitchen sink, laundry tub, swimming pool and in a wet basement.



## Introduction

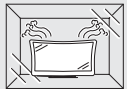
- Do not place vases or any other water-filled containers on this product. The water may spill onto the product causing fire or electric shock.



- Stand — Do not place the product on an unstable cart, stand, tripod or table. Doing so can cause the product to fall, resulting in serious personal injuries as well as damage to the product. Use only a cart, stand, tripod, bracket or table recommended by the manufacturer or sold with the product. When mounting the product on a wall, be sure to follow the manufacturer's instructions. Use only the mounting hardware recommended by the manufacturer.



- Ventilation — The vents and other openings in the cabinet are designed for ventilation. Do not cover or block these vents and openings since insufficient ventilation can cause overheating and/or shorten the life of the product. Do not place the product on a bed, sofa, rug or other similar surface, since they can block ventilation openings. This product is not designed for built-in installation; do not place the product in an enclosed place such as a bookcase or rack, unless proper ventilation is provided or the manufacturer's instructions are followed.



- In case the product is dropped and the cabinet is damaged, be sure to turn off the power of the product, and unplug the power cord. If you continue to use the product, it may cause fire or electric shock. Contact your dealer.



- Do not open the rear cover of the cabinet to reconstruct the circuits. There exists high voltage within the cabinet and it may cause electric shock and injury. If maintenance is required, contact your dealer.



- The LCD panel used in this product is made of glass. Therefore, it can break when the product is struck forcefully or with a sharp object. If the LCD panel is broken, be careful not to be injured by broken glass.



- Heat sources — Keep the product away from heat sources such as radiators, heaters, stoves and other heat-generating products (including amplifiers).



**Do not install the TV in a location in which it will be subject to water drops such as underneath an air conditioning unit or in the vicinity of a humidifier**

- Water drops falling onto the TV and water entering inside it may result in fire, electric shock, or malfunctions. We recommend that you install the TV at least 1 m away from the outlet of an air conditioner.



- To prevent fire, never place any type of candle or naked flames on the top or near the TV set.



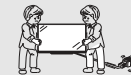
- To prevent fire or shock hazard, do not place the AC power cord under the TV set or other heavy items.



- Do not place heavy objects on this product or stand on it. Doing so could cause injury if the product overturns. Take special care near children and pets.



- Unplug the power cord before you move the TV set. If not unplugged beforehand, the power cord may become damaged and cause electric shock.



The LCD panel is a very high technology product with 8,294,400 pixels, giving you fine picture details. Due to the very large number of pixels, occasionally a few non-active pixels may appear on the screen as a fixed point of blue, green, red or yellow. This is within product specifications and does not constitute a fault.

### Precautions when transporting the TV

- When transporting the TV, never carry it by holding or otherwise putting pressure onto the display. Be sure to always carry the TV by two or more people holding it with two hands — one hand on each side of the TV.



If a television is not positioned in a sufficiently stable location, it can be potentially hazardous due to falling. Many injuries, particularly to children, can be avoided by taking simple precautions such as:

- Using cabinets or stands recommended by the manufacturer of the television.
- Only using furniture that can safely support the television.
- Ensuring the television is not overhanging the edge of the supporting furniture.
- Not placing the television on tall furniture (for example, cupboards or bookcases) without anchoring both the furniture and the television to a suitable support.
- Not standing the televisions on cloth or other materials placed between the television and supporting furniture.
- Educating children about the dangers of climbing on furniture to reach the television or its controls.

- Do not display a still picture for a long time, as this could cause an afterimage to remain.

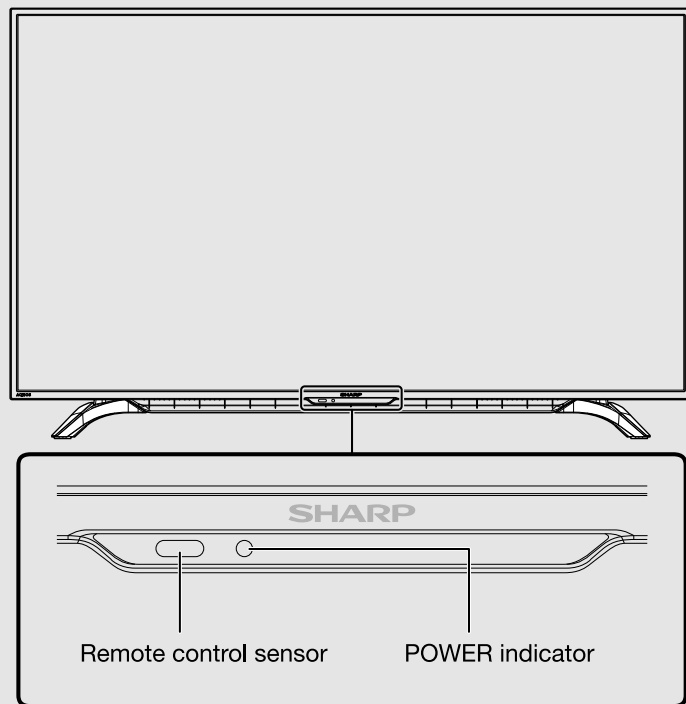
- Install the product on the place where the AC cord can be unplugged easily from the AC outlet, or from the AC INPUT terminal on the rear of the product.

### NOTE

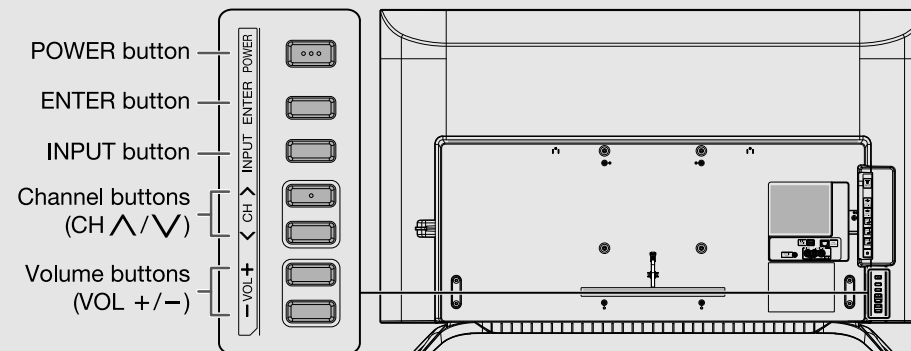
- The above are pictures for reference only; the actual item might be different.

## TV

(Front)  
4T-C50BK1X / 4T-C50BK1I



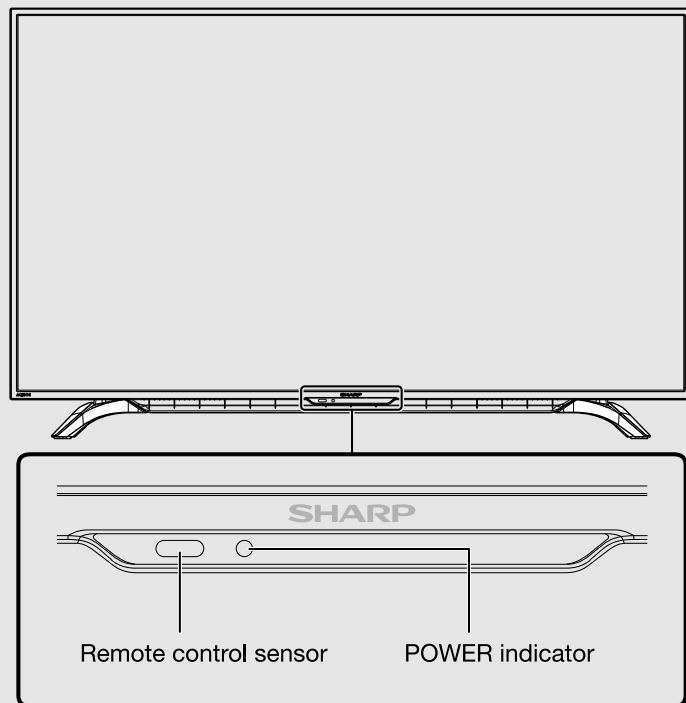
(Rear)



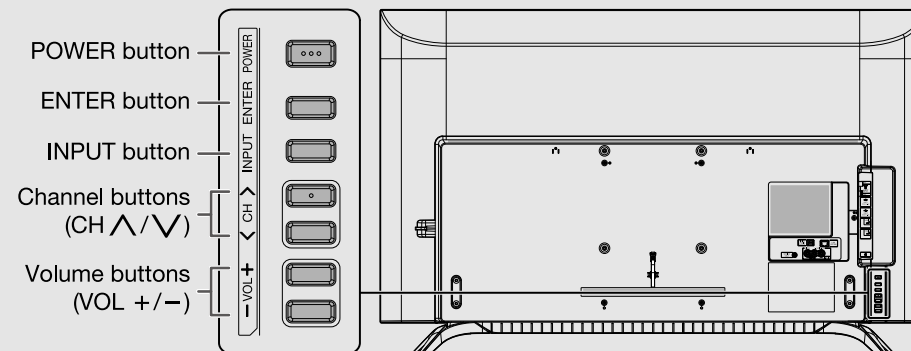
- The illustrations and on-screen displays in this operation manual are for explanation purposes and may vary slightly from the actual operations.
- The drawings used throughout this manual are based on the 4T-C60BK1X model.

## TV (Continue)

(Front)  
4T-C50BK1X (Hong Kong only)



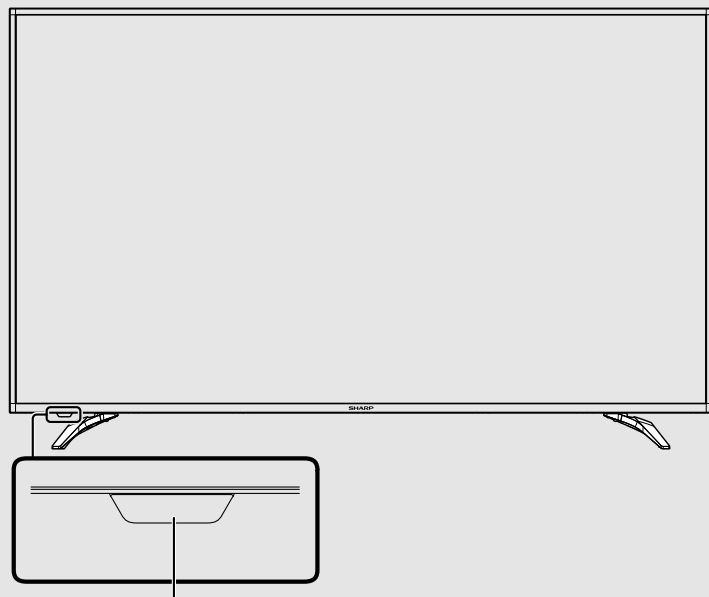
(Rear)



- The illustrations and on-screen displays in this operation manual are for explanation purposes and may vary slightly from the actual operations.
- The drawings used throughout this manual are based on the 4T-C60BK1X model.

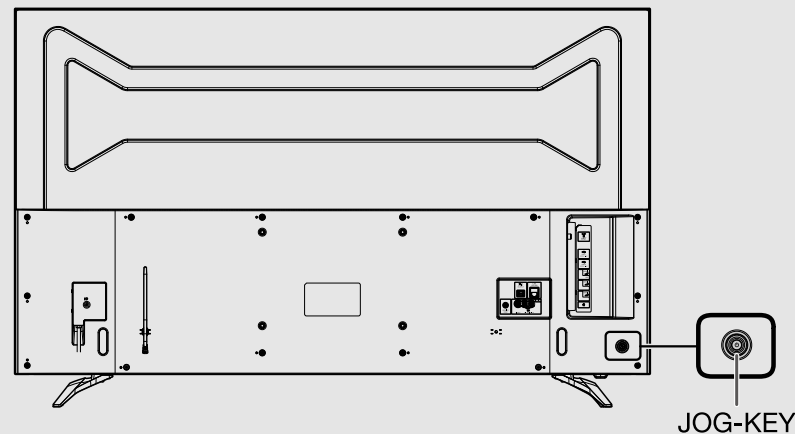
## TV (Continue)

(Front)  
4T-C60BK1X



Remote control sensor/POWER indicator

(Rear)



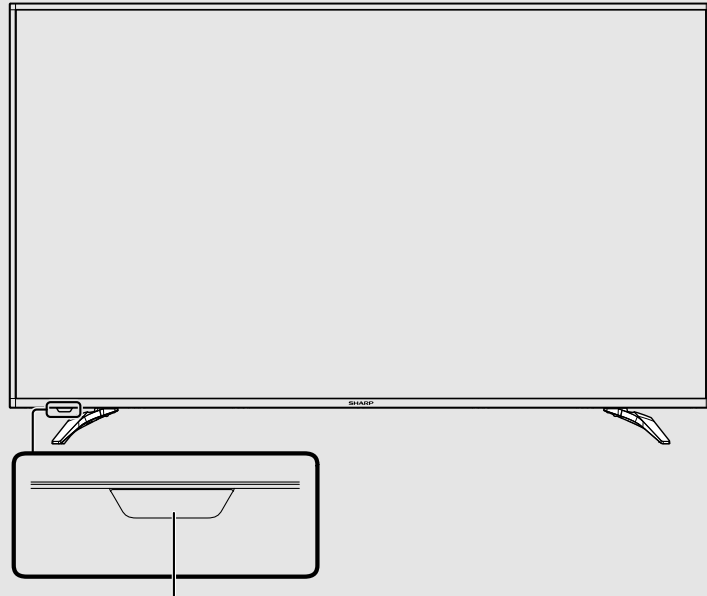
JOG-KEY	Functions Descriptions
PRESS	POWER button
UP	CH UP button
DOWN	INPUT button
LEFT	VOL + button
RIGHT	VOL - button

- The illustrations and on-screen displays in this operation manual are for explanation purposes and may vary slightly from the actual operations.
- The drawings used throughout this manual are based on the 4T-C60BK1X model.



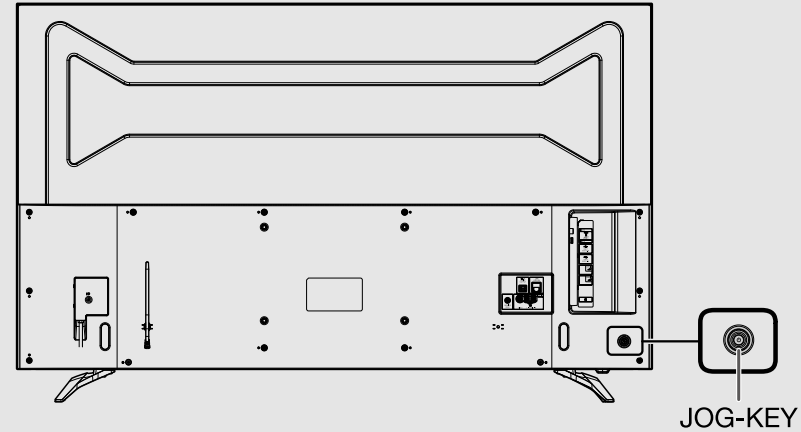
TV (Continue)

(Front)  
4T-C60BK1X (Hong Kong only)



Remote control sensor/POWER indicator

(Rear)

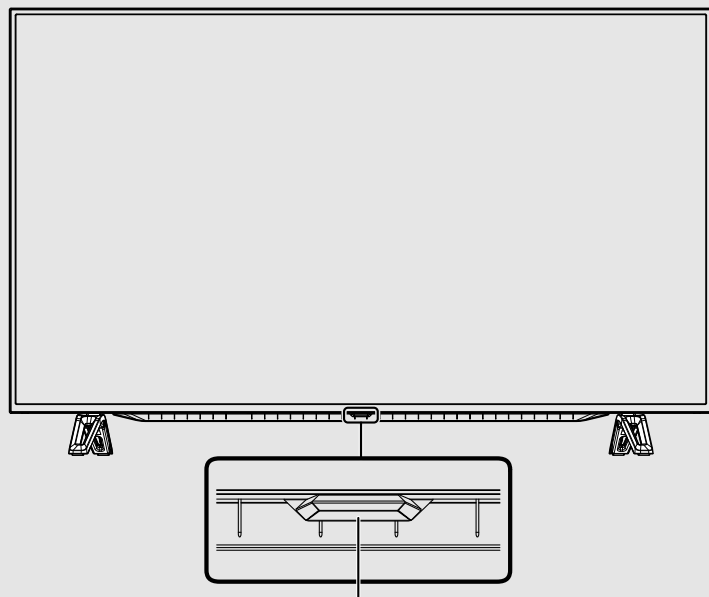


JOG-KEY	Functions Descriptions
PRESS	POWER button
UP	CH UP button
DOWN	INPUT button
LEFT	VOL + button
RIGHT	VOL - button

- The illustrations and on-screen displays in this operation manual are for explanation purposes and may vary slightly from the actual operations.
- The drawings used throughout this manual are based on the 4T-C60BK1X model.

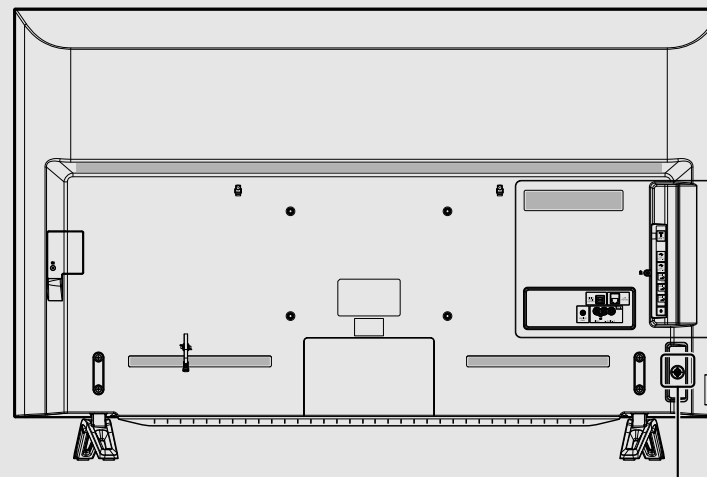
## TV (Continue)

(Front)  
4T-C60CK1X



Remote control sensor/POWER indicator

(Rear)

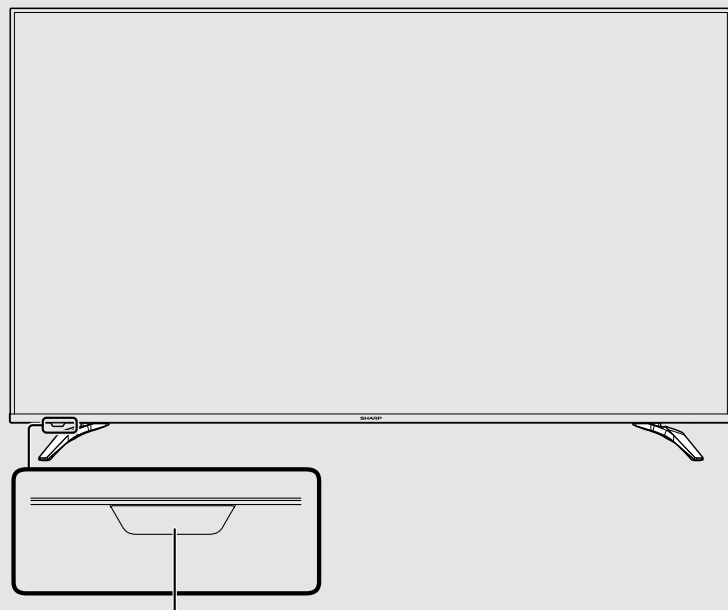


JOG-KEY	BASIC FUNCTION
^	CH UP
v	INPUT
+	VOL UP
-	VOL DOWN
⏻	POWER

- The illustrations and on-screen displays in this operation manual are for explanation purposes and may vary slightly from the actual operations.
- The drawings used throughout this manual are based on the 4T-C60BK1X model.

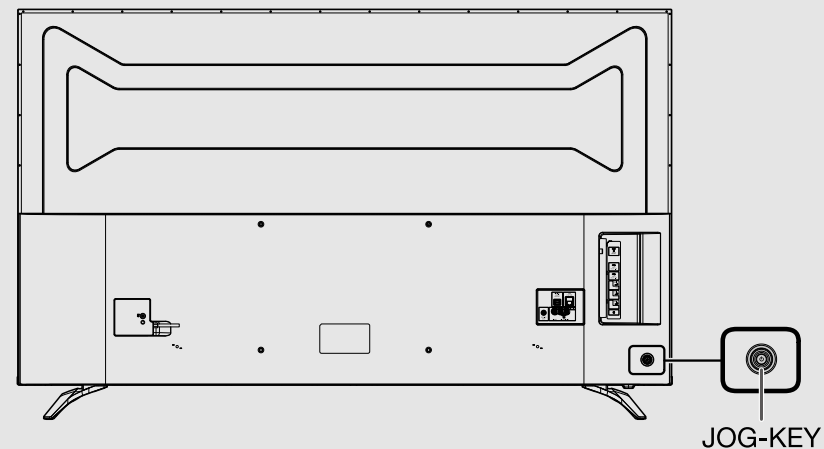
## TV (Continue)

(Front)  
4T-C70BK1X



Remote control sensor/POWER indicator

(Rear)



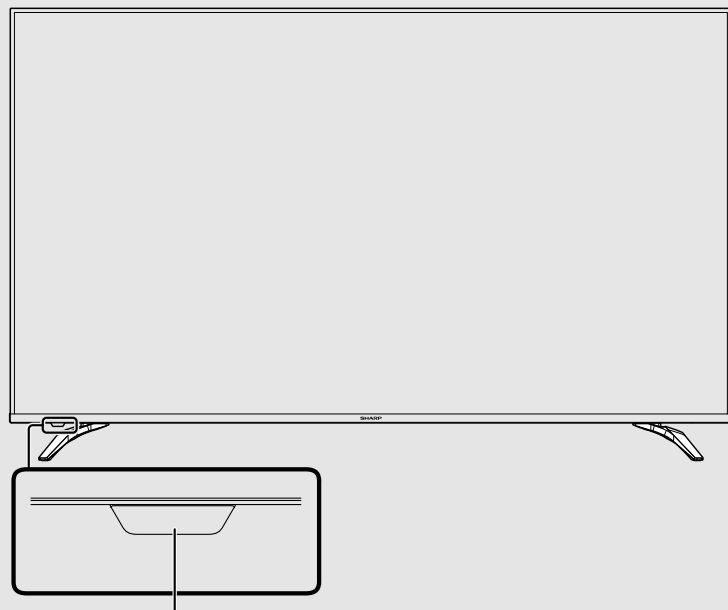
JOG-KEY

JOG-KEY	Functions Descriptions
PRESS	POWER button
UP	CH UP button
DOWN	INPUT button
LEFT	VOL + button
RIGHT	VOL - button

- The illustrations and on-screen displays in this operation manual are for explanation purposes and may vary slightly from the actual operations.
- The drawings used throughout this manual are based on the 4T-C60BK1X model.

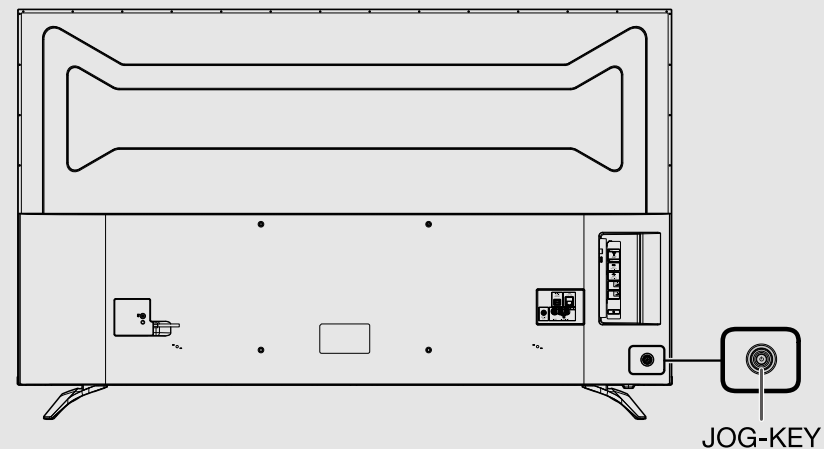
## TV (Continue)

(Front)  
4T-C70BK1X (Hong Kong only)



Remote control sensor/POWER indicator

(Rear)

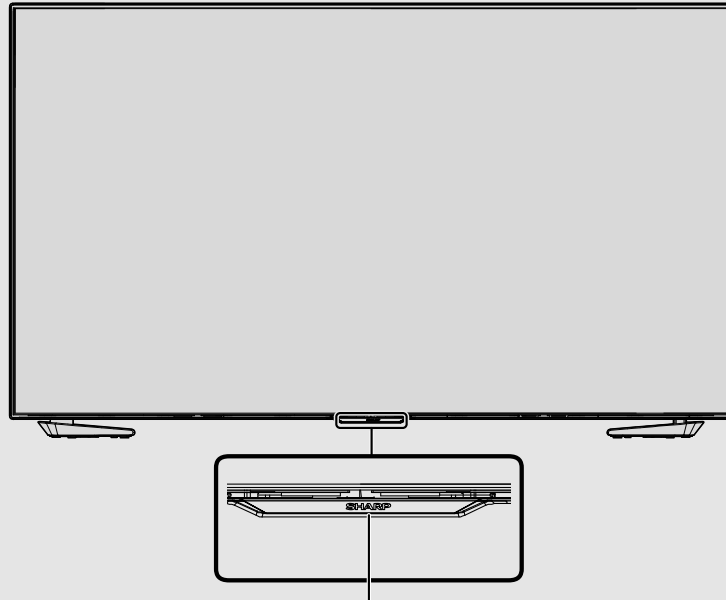


JOG-KEY	Functions Descriptions
PRESS	POWER button
UP	CH UP button
DOWN	INPUT button
LEFT	VOL + button
RIGHT	VOL - button

- The illustrations and on-screen displays in this operation manual are for explanation purposes and may vary slightly from the actual operations.
- The drawings used throughout this manual are based on the 4T-C60BK1X model.

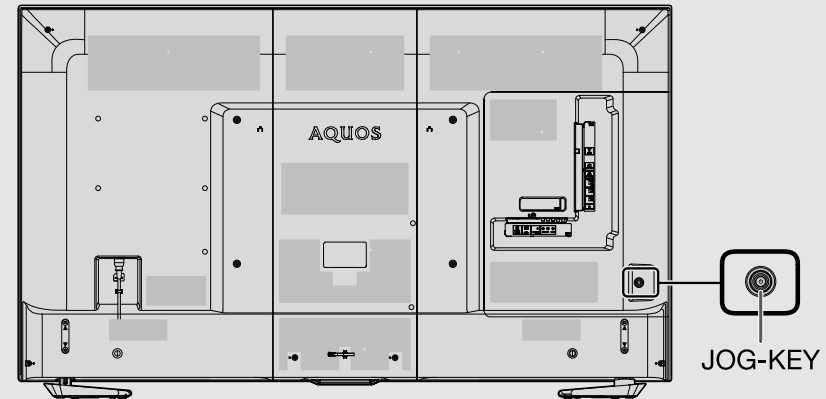
TV (Continue)

(Front)  
4T-C80CL1X



Remote control sensor/POWER indicator

(Rear)

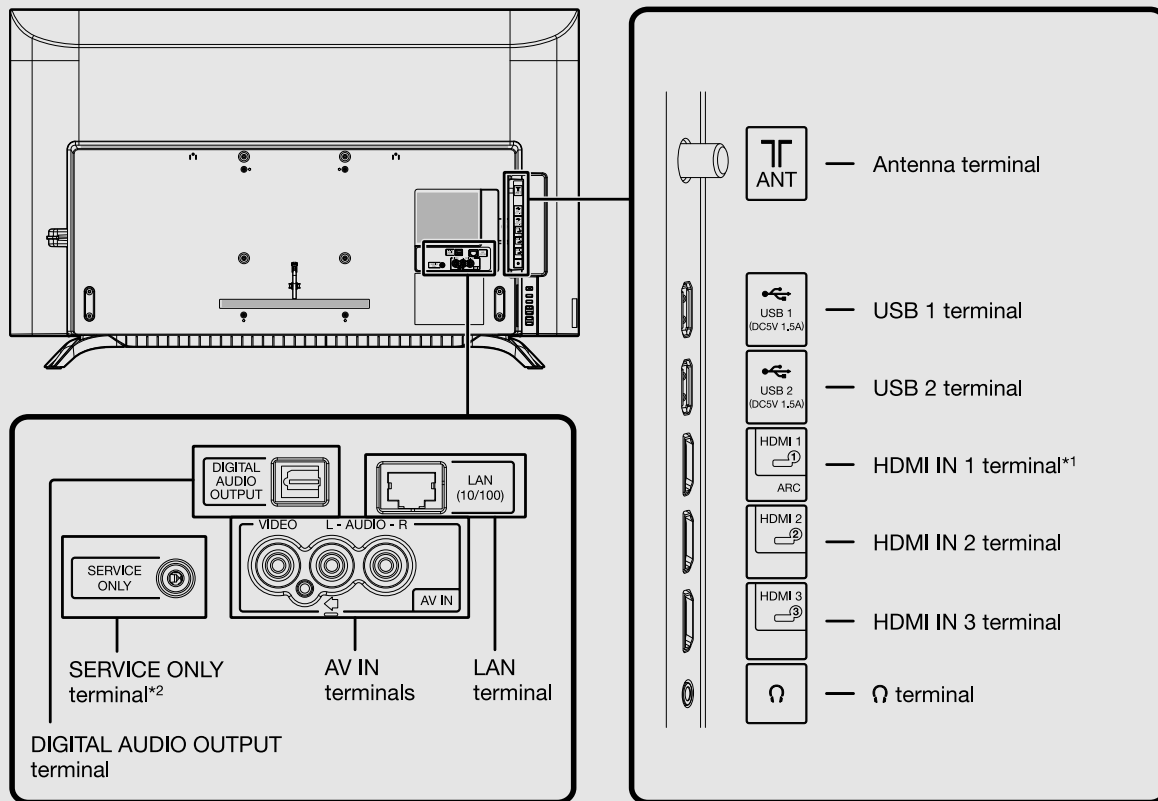


JOG-KEY	Functions Descriptions
PRESS	POWER button
UP	CH UP button
DOWN	INPUT button
LEFT	VOL + button
RIGHT	VOL - button

- The illustrations and on-screen displays in this operation manual are for explanation purposes and may vary slightly from the actual operations.
- The drawings used throughout this manual are based on the 4T-C60BK1X model.

TV (Continue)

(Rear)  
4T-C50BK1X / 4T-C50BK1I

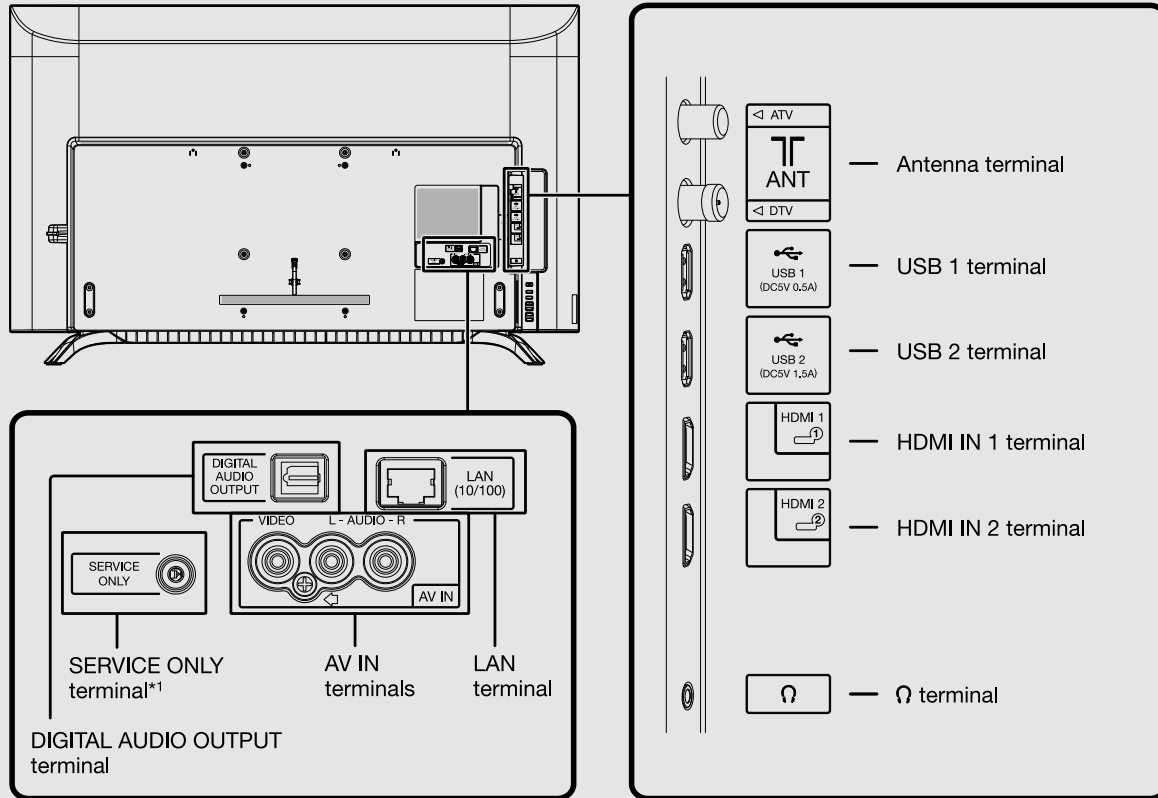


\*1 Use HDMI IN 1 to connect ARC-compatible equipment.

\*2 Usually do not connect anything to this terminal as it reserved only for service personnel.

TV (Continue)

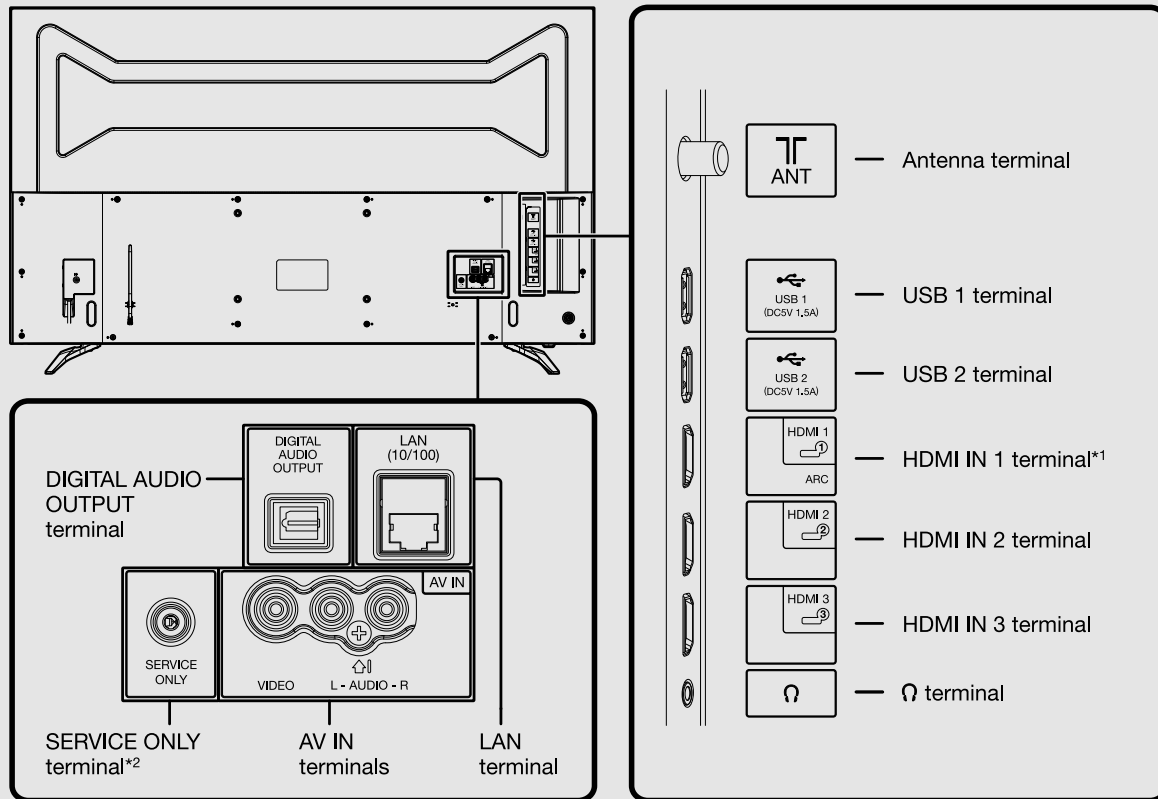
(Rear)  
4T-C50BK1X (Hong Kong only)



\*1 Usually do not connect anything to this terminal as it reserved only for service personnel.

TV (Continue)

(Rear)  
4T-C60BK1X



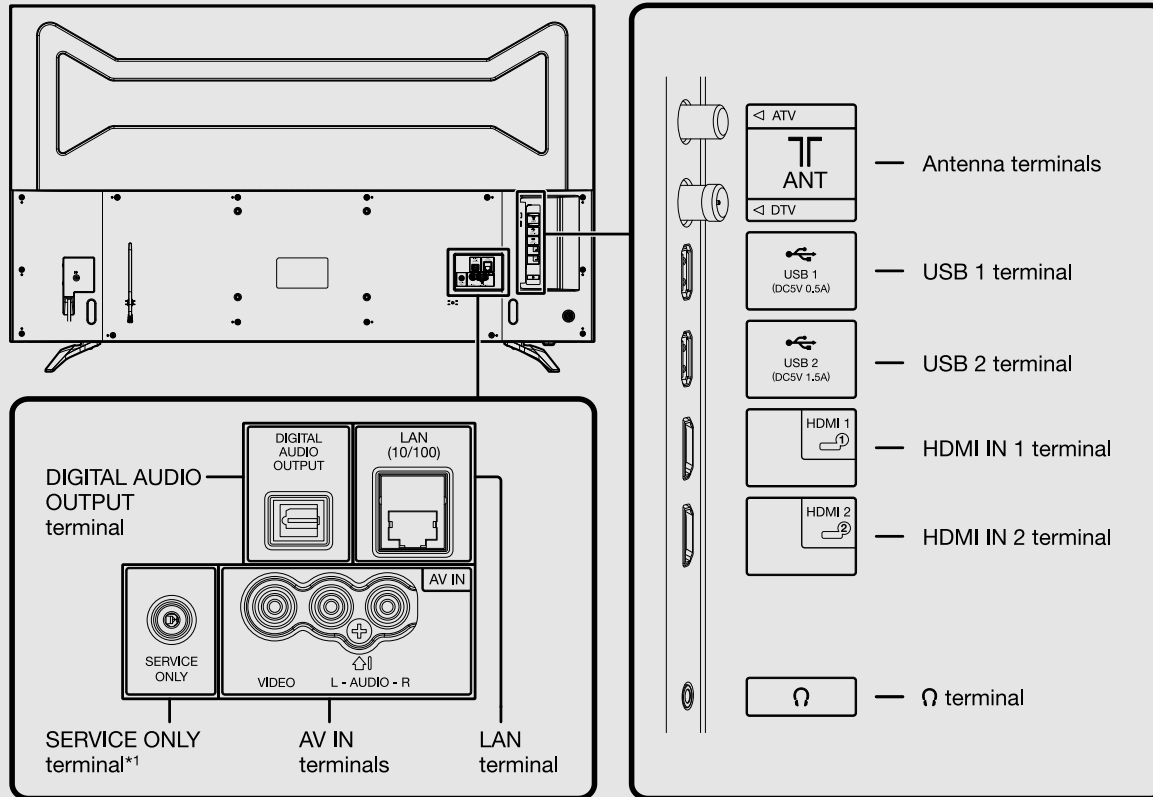
\*1 Use HDMI IN 1 to connect ARC-compatible equipment.

\*2 Usually do not connect anything to this terminal as it reserved only for service personnel.



TV (Continue)

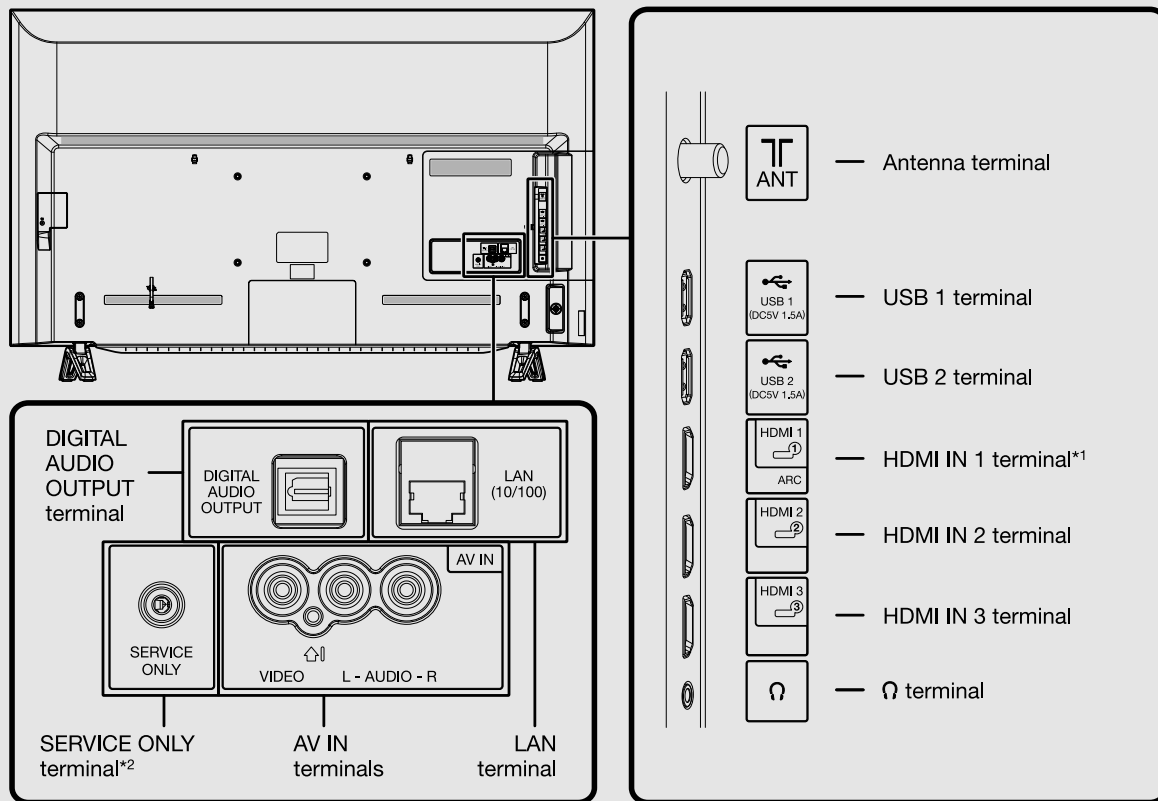
(Rear)  
4T-C60BK1X (Hong Kong only)



\*1 Usually do not connect anything to this terminal as it reserved only for service personnel.

TV (Continue)

(Rear)  
4T-C60CK1X

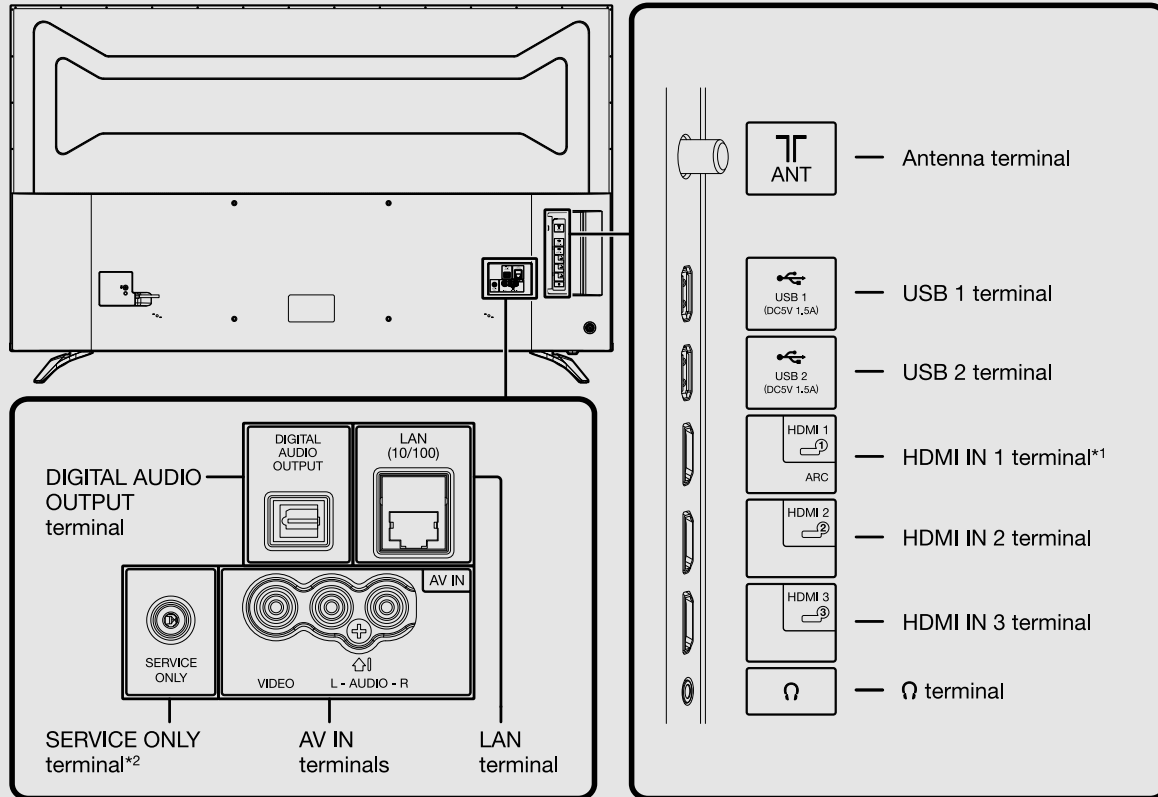


\*1 Use HDMI IN 1 to connect ARC-compatible equipment.

\*2 Usually do not connect anything to this terminal as it reserved only for service personnel.

TV (Continue)

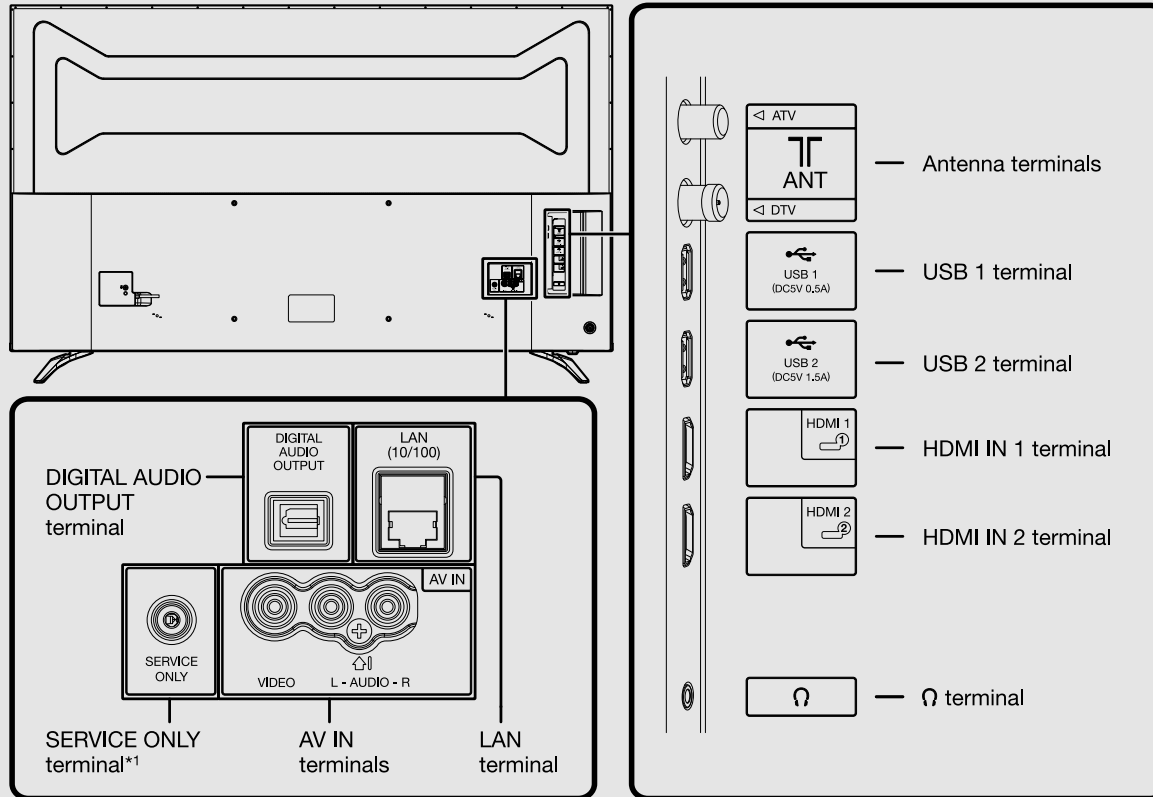
(Rear)  
4T-C70BK1X



\*1 Use HDMI IN 1 to connect ARC-compatible equipment.  
\*2 Usually do not connect anything to this terminal as it reserved only for service personnel.

TV (Continue)

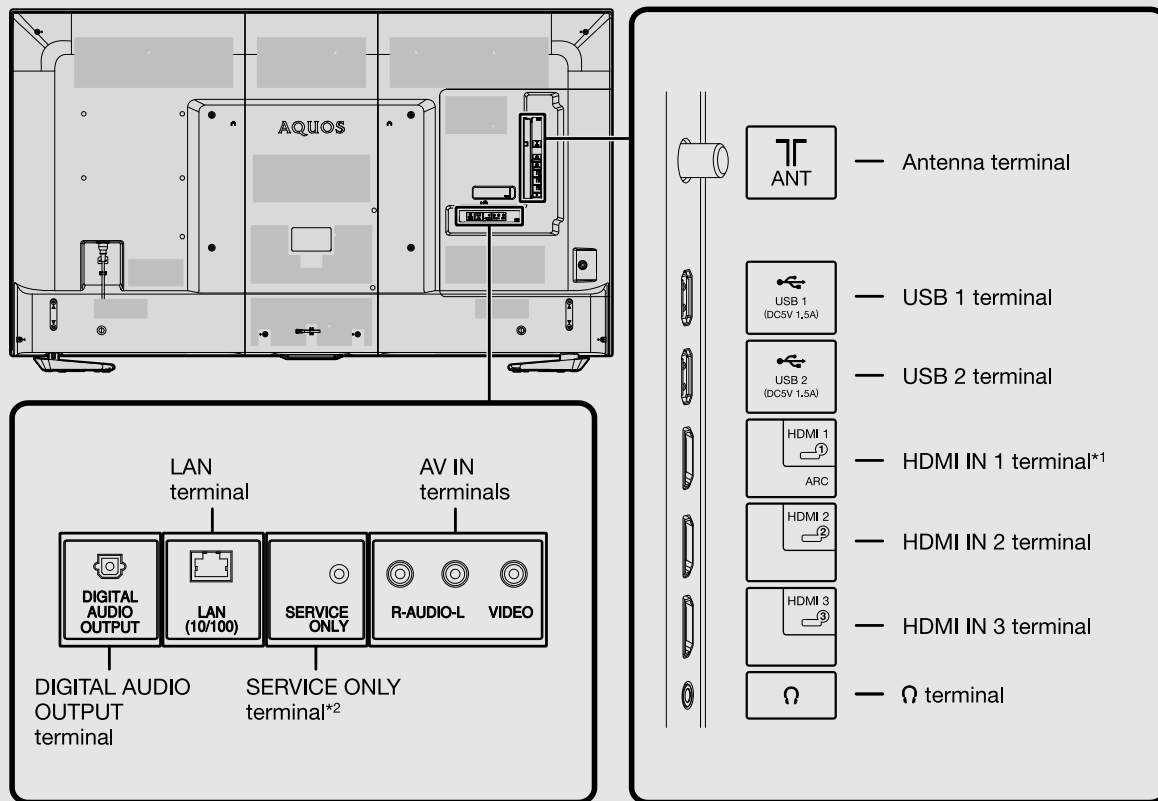
(Rear)  
4T-C70BK1X (Hong Kong only)



\*1 Usually do not connect anything to this terminal as it reserved only for service personnel.

TV (Continue)

(Rear)  
4T-C80CL1X

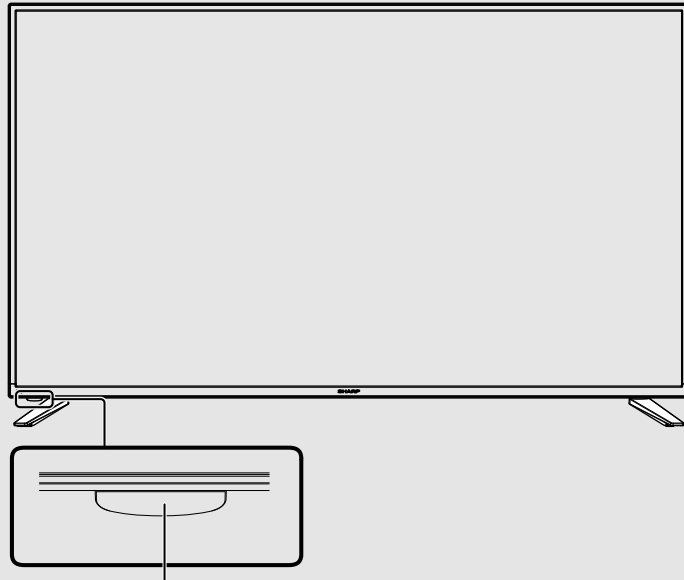


\*1 Use HDMI IN 1 to connect ARC-compatible equipment.

\*2 Usually do not connect anything to this terminal as it reserved only for service personnel.

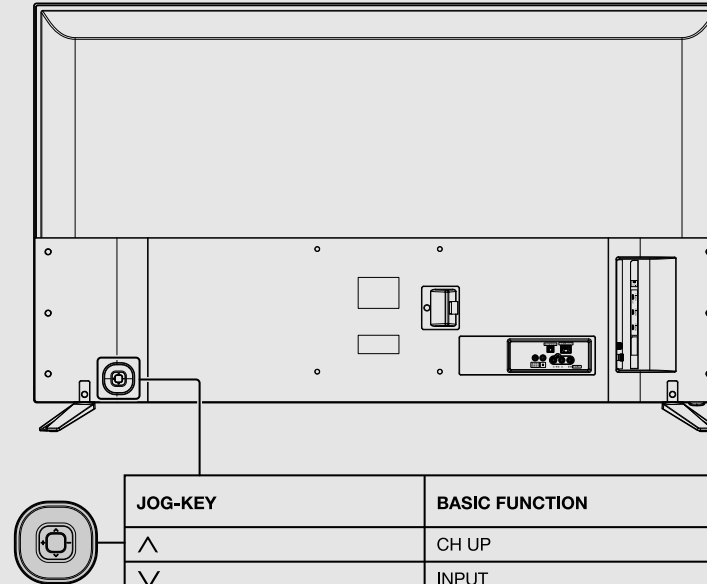
Monitor

(Front)  
4T-C50BJ1T/3T (Taiwan only)



Remote control sensor/POWER indicator

(Rear)

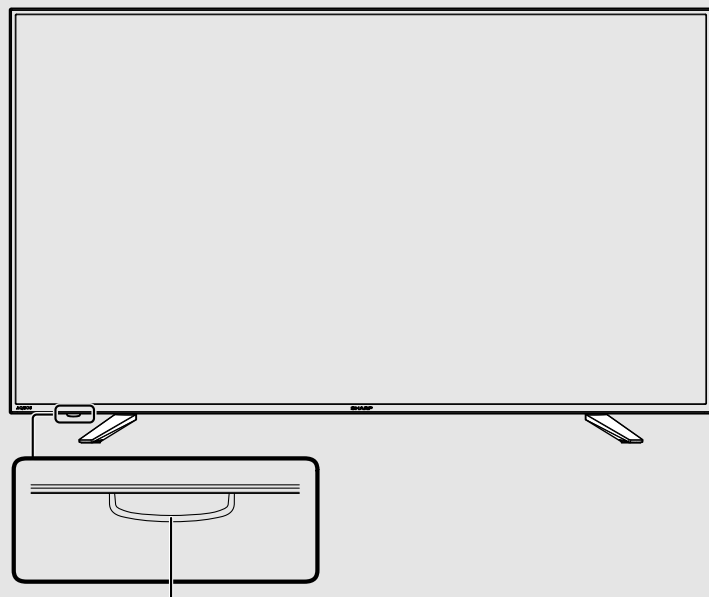


JOG-KEY	BASIC FUNCTION
^	CH UP
v	INPUT
+	VOL UP
-	VOL DOWN
⏻	POWER

- The illustrations and on-screen displays in this operation manual are for explanation purposes and may vary slightly from the actual operations.
- The drawings used throughout this manual are based on the 4T-C60BK1X model.

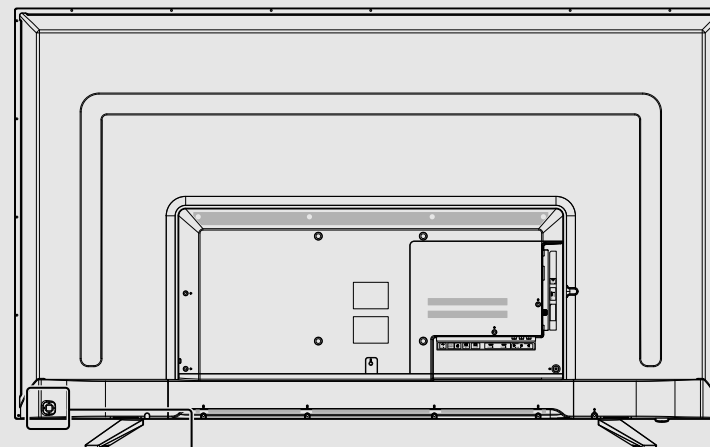
## Monitor (Continue)

(Front)  
4T-C60BJ1T/3T/5T (Taiwan only)



Remote control sensor/POWER indicator

(Rear)

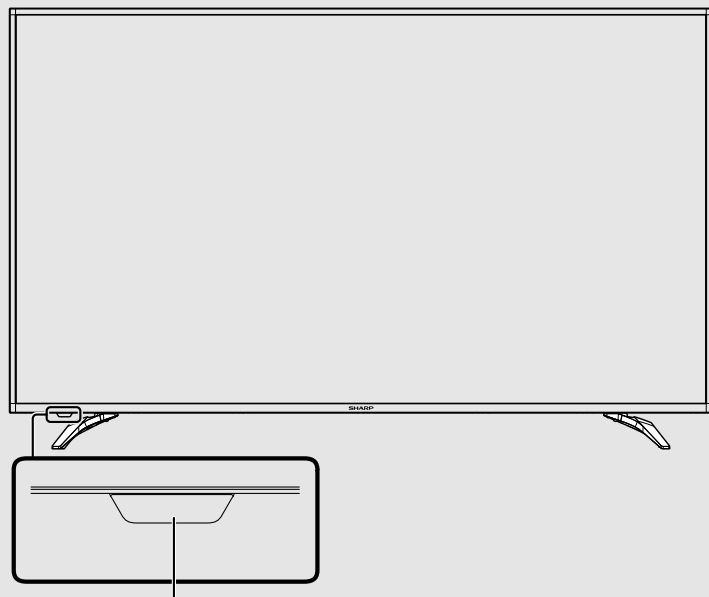


JOG-KEY	BASIC FUNCTION
^	CH UP
v	INPUT
+	VOL UP
-	VOL DOWN
⏻	POWER

- The illustrations and on-screen displays in this operation manual are for explanation purposes and may vary slightly from the actual operations.
- The drawings used throughout this manual are based on the 4T-C60BK1X model.

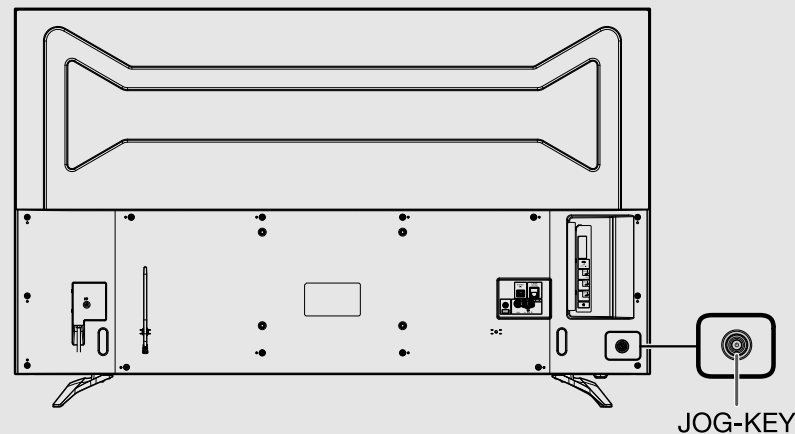
## Monitor (Continue)

(Front)  
4T-C60BK1T (Taiwan only)



Remote control sensor/POWER indicator

(Rear)



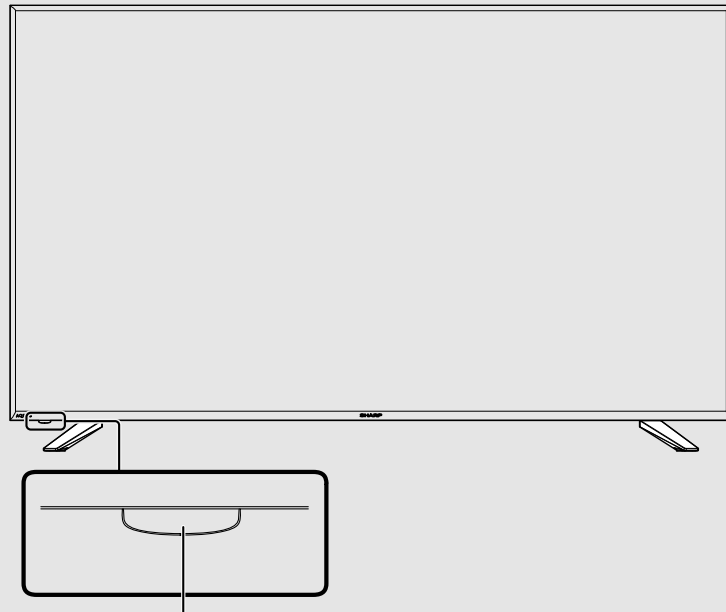
JOG-KEY	Functions Descriptions
PRESS	POWER button
UP	CH UP button
DOWN	INPUT button
LEFT	VOL + button
RIGHT	VOL - button

- The illustrations and on-screen displays in this operation manual are for explanation purposes and may vary slightly from the actual operations.
- The drawings used throughout this manual are based on the 4T-C60BK1X model.



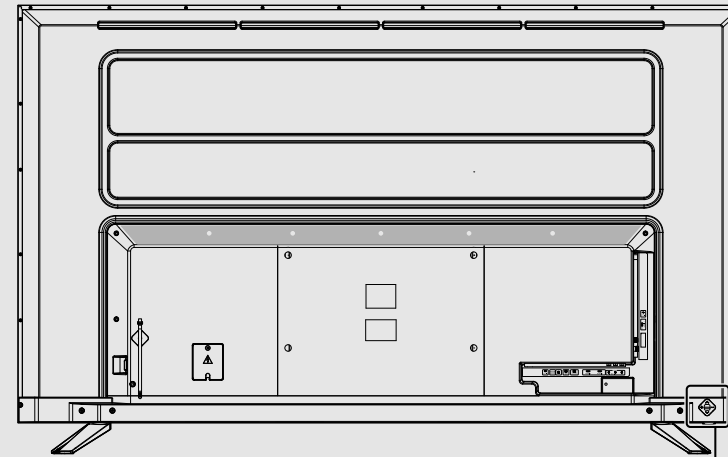
Monitor (Continue)

(Front)  
4T-C70BJ1T/3T/5T (Taiwan only)



Remote control sensor/POWER indicator

(Rear)

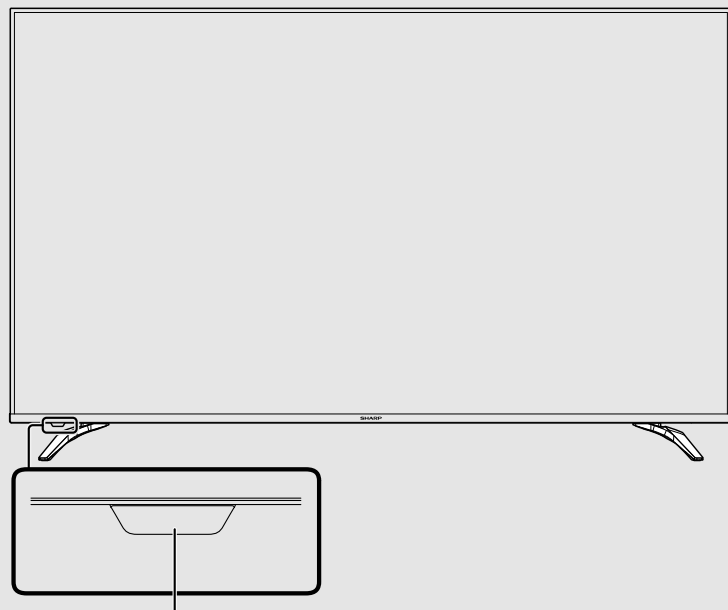


JOG-KEY	BASIC FUNCTION
△	CH UP
▽	INPUT
+	VOL UP
-	VOL DOWN
⏻	POWER

- The illustrations and on-screen displays in this operation manual are for explanation purposes and may vary slightly from the actual operations.
- The drawings used throughout this manual are based on the 4T-C60BK1X model.

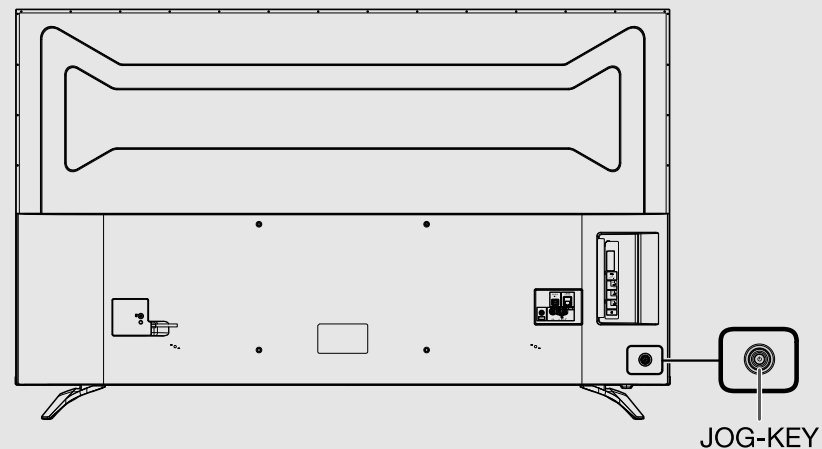
## Monitor (Continue)

(Front)  
4T-C70BK1T (Taiwan only)



Remote control sensor/POWER indicator

(Rear)

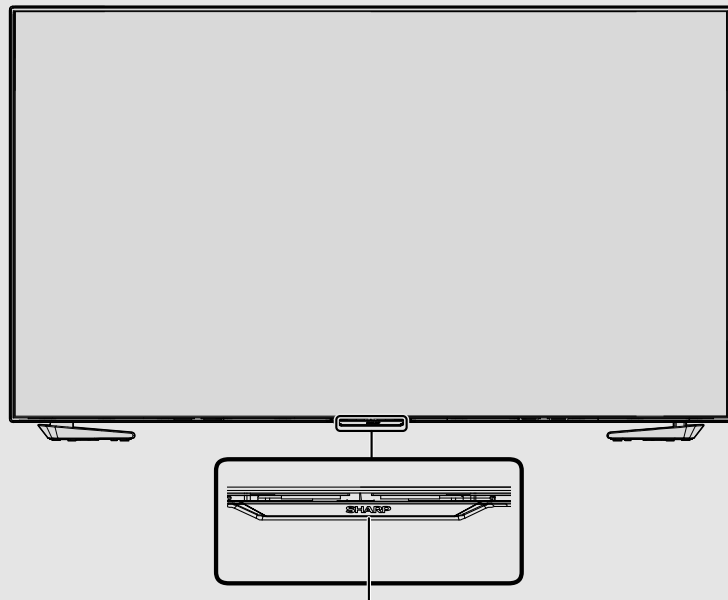


JOG-KEY	Functions Descriptions
PRESS	POWER button
UP	CH UP button
DOWN	INPUT button
LEFT	VOL + button
RIGHT	VOL - button

- The illustrations and on-screen displays in this operation manual are for explanation purposes and may vary slightly from the actual operations.
- The drawings used throughout this manual are based on the 4T-C60BK1X model.

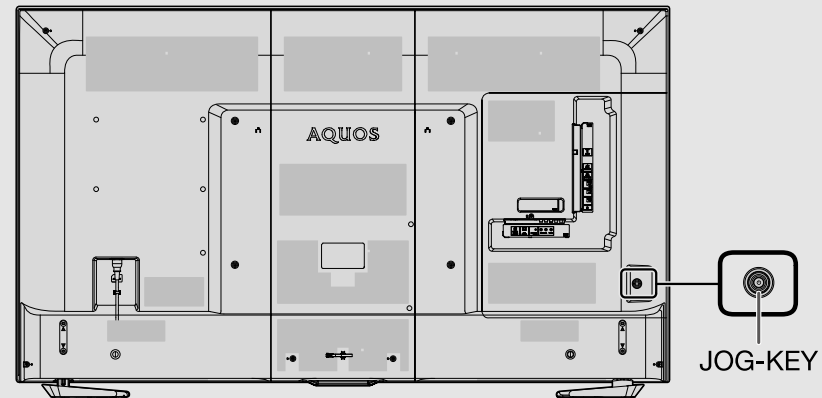
Monitor (Continue)

(Front)  
4T-C80CL1X (Taiwan only)



Remote control sensor/POWER indicator

(Rear)

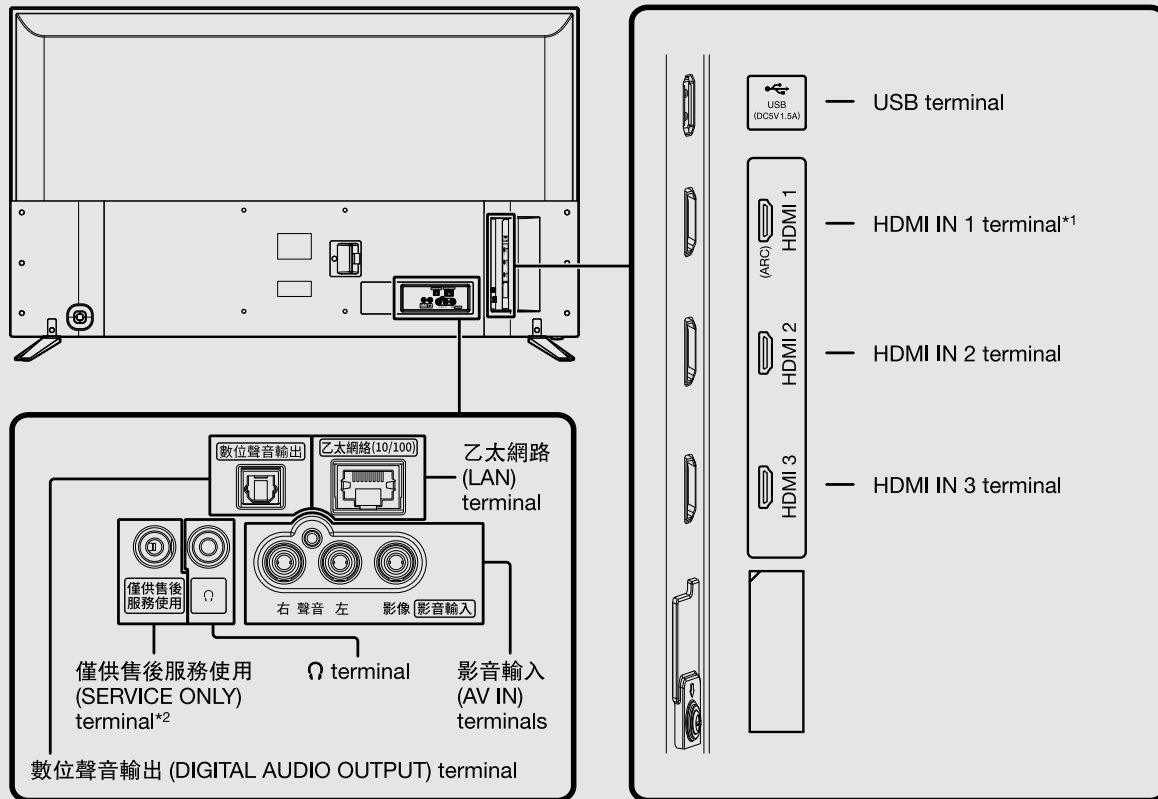


JOG-KEY	Functions Descriptions
PRESS	POWER button
UP	CH UP button
DOWN	INPUT button
LEFT	VOL + button
RIGHT	VOL - button

- The illustrations and on-screen displays in this operation manual are for explanation purposes and may vary slightly from the actual operations.
- The drawings used throughout this manual are based on the 4T-C60BK1X model.

Monitor (Continue)

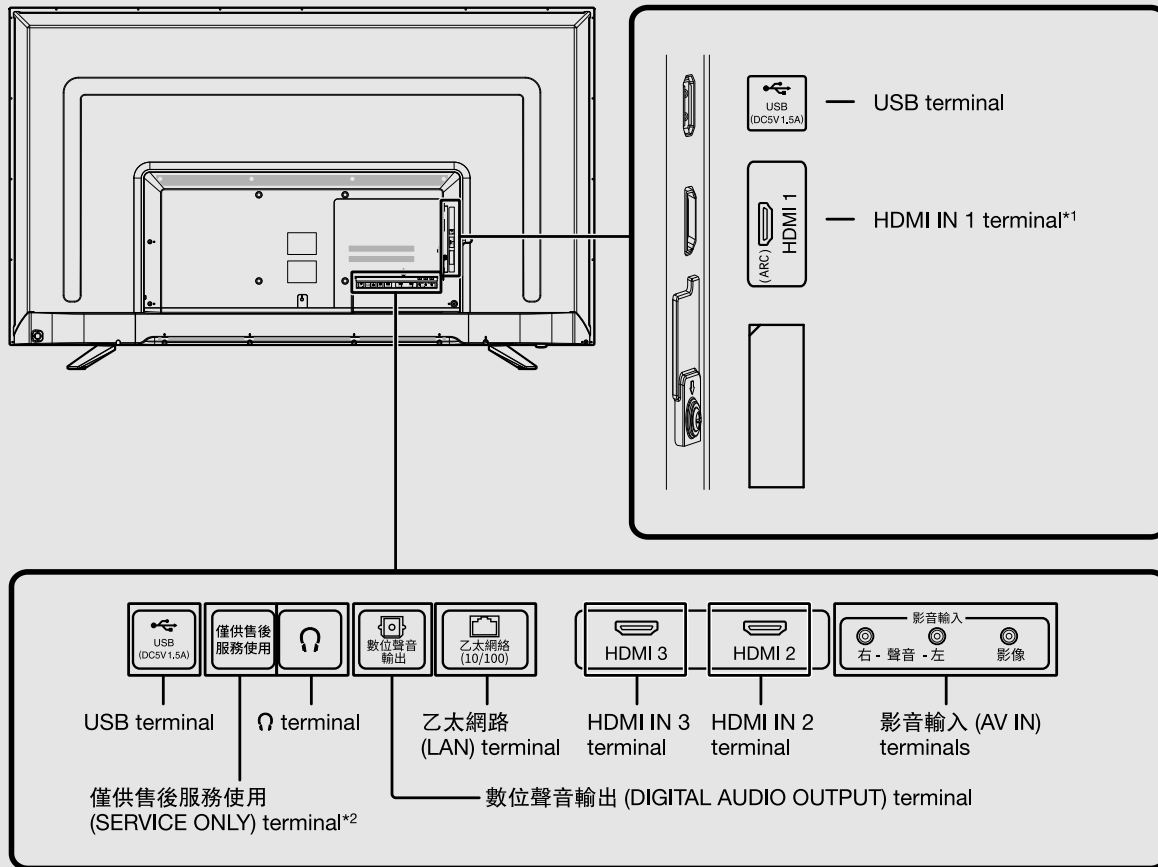
(Rear)  
4T-C50BJ1T/3T (Taiwan only)



\*1 Use HDMI IN 1 to connect ARC-compatible equipment.  
 \*2 Usually do not connect anything to this terminal as it reserved only for service personnel.

Monitor (Continue)

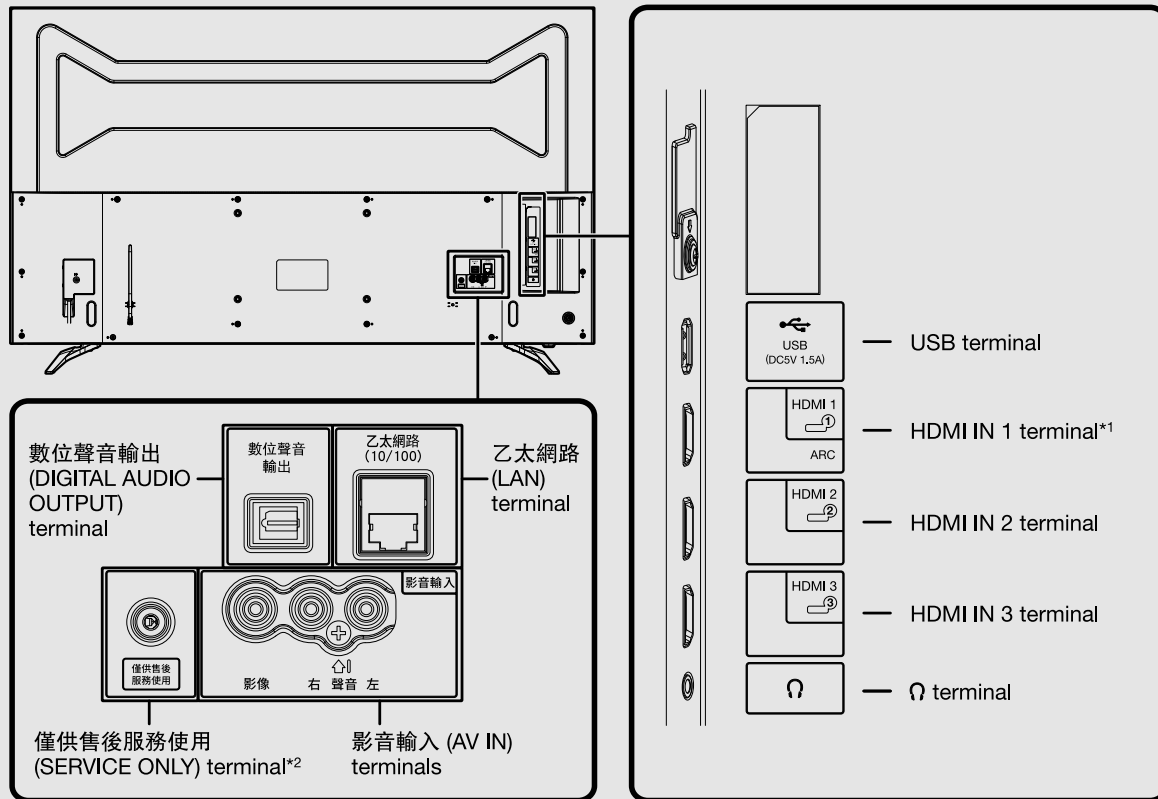
(Rear)  
4T-C60BJ1T/3T/5T (Taiwan only)



\*1 Use HDMI IN 1 to connect ARC-compatible equipment.  
 \*2 Usually do not connect anything to this terminal as it reserved only for service personnel.

Monitor (Continue)

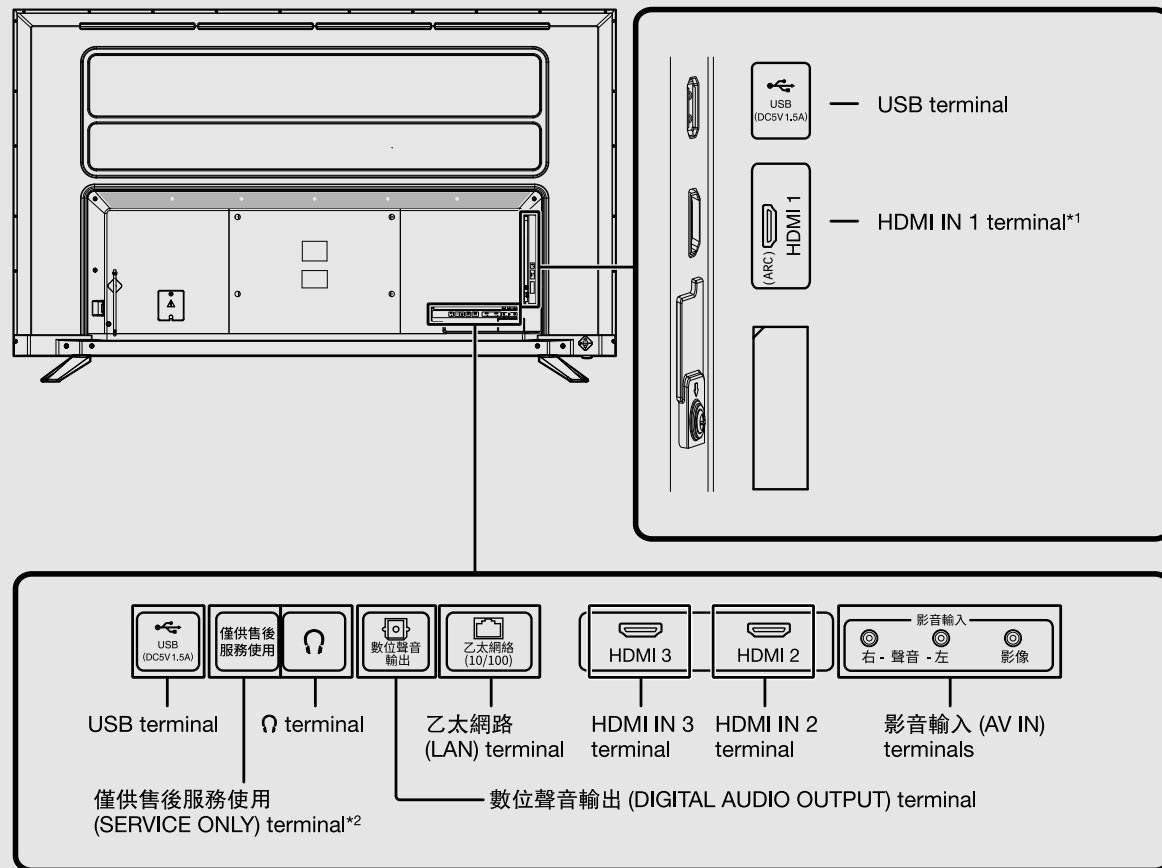
(Rear)  
4T-C60BK1T (Taiwan only)



\*1 Use HDMI IN 1 to connect ARC-compatible equipment.  
 \*2 Usually do not connect anything to this terminal as it reserved only for service personnel.

Monitor (Continue)

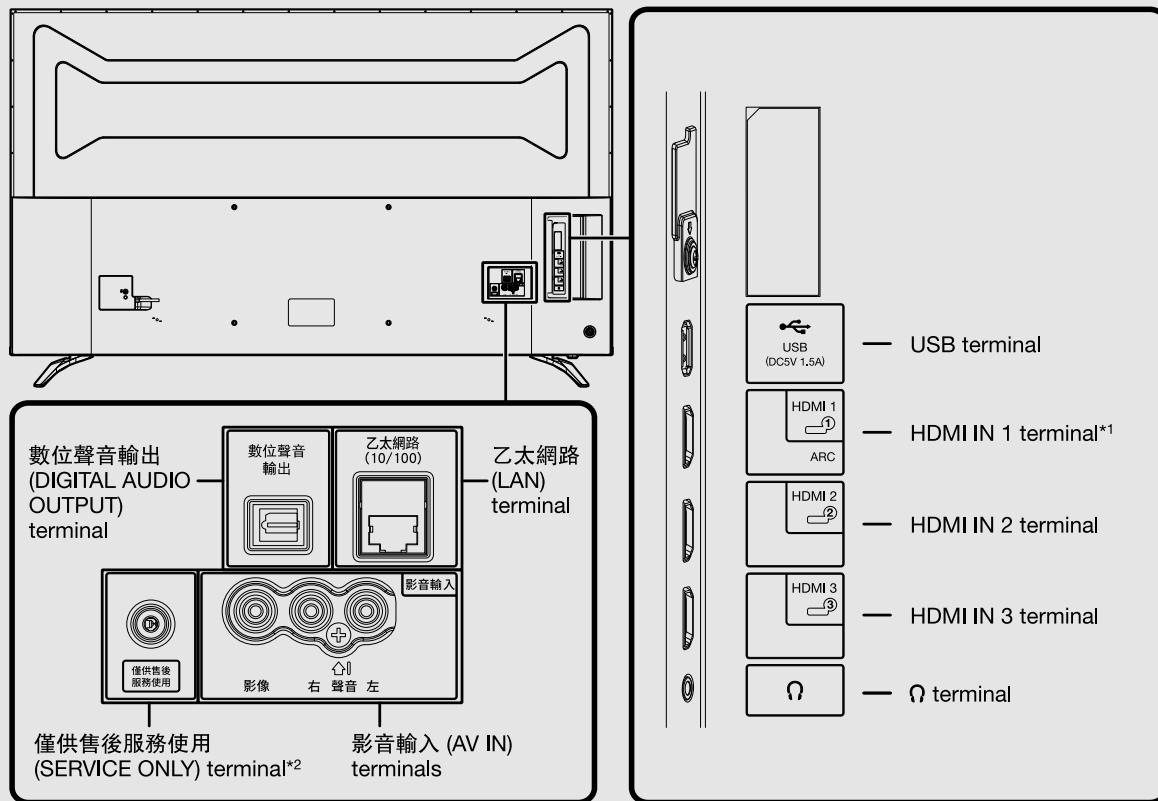
(Rear)  
4T-C70BJ1T/3T/5T (Taiwan only)



\*1 Use HDMI IN 1 to connect ARC-compatible equipment.  
 \*2 Usually do not connect anything to this terminal as it reserved only for service personnel.

Monitor (Continue)

(Rear)  
4T-C70BK1T (Taiwan only)

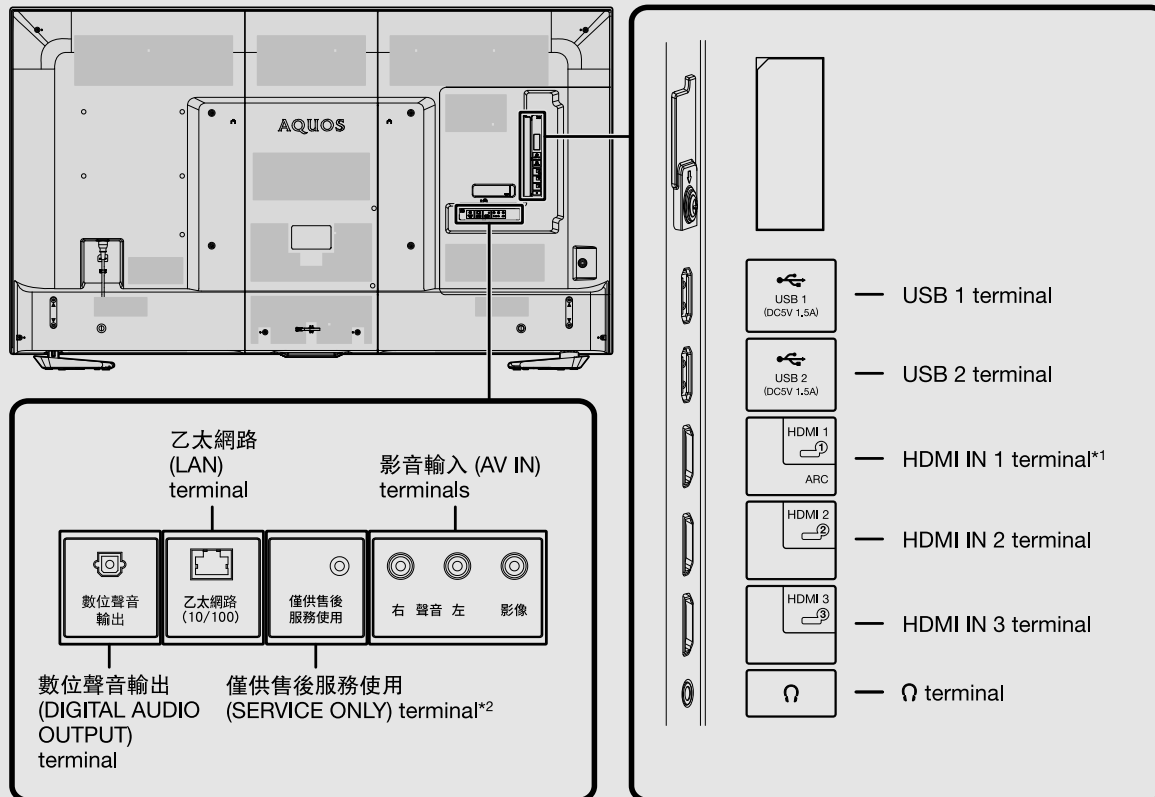


\*1 Use HDMI IN 1 to connect ARC-compatible equipment.  
 \*2 Usually do not connect anything to this terminal as it reserved only for service personnel.



Monitor (Continue)

(Rear)  
4T-C80CL1X (Taiwan only)










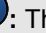


\*1 Use HDMI IN 1 to connect ARC-compatible equipment.

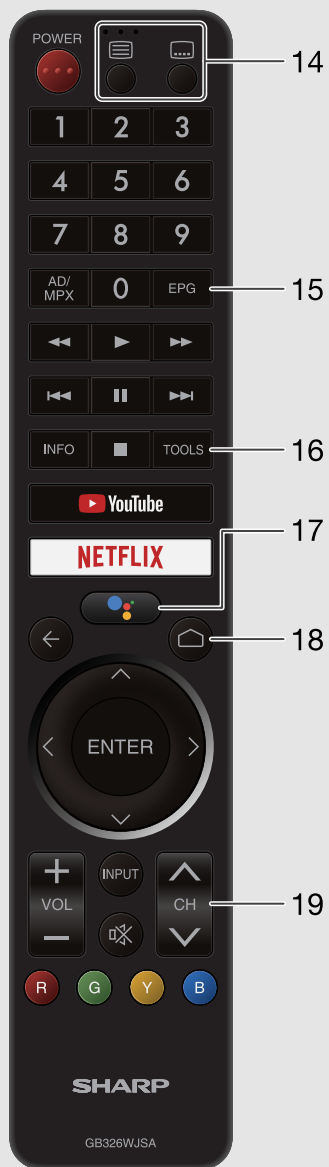
\*2 Usually do not connect anything to this terminal as it reserved only for service personnel.

Remote Control Unit



- 1  (**POWER**): Switch the TV power on or enter standby.
- 2 **0-9**: Set the channel.
- 3 **AD/MPX**: Select the sound multiplex mode and audio description.
- 4 **External equipment operational buttons**: Operate the external equipment.
- 5 **INFO**  
DTV: Display the programme information.
- 6  **YouTube**: Display the YouTube™ screen.
- 7 **NETFLIX**: Display the NETFLIX screen.  
If you press the NETFLIX button when the TV is turned off, the TV turns on and the NETFLIX screen is displayed.
- 8  (**Back**): Return to the previous screen.
- 9 , **ENTER**: Select a desired item on the screen.
- 10 **INPUT**: Select an input source.
- 11 **VOL +/-**: Set the volume.
- 12  (**Mute**): Mute the sound.
  - Mute can be cancelled by pressing **VOL +/-** or .
- 13 , , , : The coloured buttons are correspondingly used to select the coloured items on the screen.

Remote Control Unit (Continue)



14 Buttons for useful operations

(Teletext)

Select the teletext mode.

(Subtitle)

Switch subtitle languages on/off.

15 EPG

DTV: Display the EPG screen.

16 TOOLS: Display the Tools screen.

You can access menu screen by pressing **TOOLS** while watching TV in "Live TV" apps.

17 (The Google Assistant or Google Search)

Speak the word that you want to search for into the ". . ." (Microphone)" at the upper of the remote control. When you are using the ". . ." (Microphone)", do not cover this part with your hand.

18 (HOME): Display the HOME screen.

19 CH ^ / V: Select the channel.

- The remote control unit used throughout this manual are based on the 4T-C50/60/70BK1X models.
- The Google Assistant is not available in certain languages and countries. Availability of services varies by country and language.

## Remote Control Unit (Taiwan only)



1 (電源) (POWER): Switch the TV power on or enter standby.

2 0-9: Set the channel.

3 聲音 (AUDIO): Selects the audio mode during multichannel audio broadcasts.

4 External equipment operational buttons: Operate the external equipment.

5 資訊 (INFO)

DTV: Display the programme information.

6 YouTube: Display the YouTube screen.

7 NETFLIX: Display the NETFLIX screen.

If you press the NETFLIX button when the TV is turned off, the TV turns on and the NETFLIX screen is displayed.

8 (Back): Return to the previous screen.

9  $\wedge/\vee/|</>$ , 確定 (ENTER): Select a desired item on the screen.

10 輸入 (INPUT): Select an input source.

11 音量+/- (VOL+/-): Set the volume.

12 靜音 (MUTE): Mute the sound.

• Mute can be cancelled by pressing 音量+/- (VOL+/-) or 靜音 (MUTE).

13 紅 (R), 綠 (G), 黃 (Y), 藍 (B): The coloured buttons are correspondingly used to select the coloured items on the screen.

Remote Control Unit (Taiwan only) (Continue)



14 字幕 (Subtitle): Switch subtitle languages on / off.


15 定時關機 (SLEEP): Set the sleep timer.

16 節目表 (EPG)

DTV: Display the EPG screen.

17 工具 (TOOLS): Display the Tools screen.

You can access menu screen by pressing 工具 (TOOLS) while watching TV in "Live TV" apps.

18  (The Google Assistant or Google Search)

Speak the word that you want to search for into the ". . ." (Microphone)" at the upper of the remote control. When you are using the ". . ." (Microphone)", do not cover this part with your hand.

19  (HOME): Display the HOME screen.

20 頻道 ^ / ∨ (CH ^ / ∨): Select the channel.

• The Google Assistant is not available in certain languages and countries. Availability of services varies by country and language.

Remote Control Unit (Hong Kong only)



- 1 (POWER): Switch the TV power on or enter standby.
- 2 **0-9**: Set the channel.
- 3 **AD/MPX**: Select the sound multiplex mode and audio description.
- 4 **External equipment operational buttons**: Operate the external equipment.
- 5 **INFO**  
DTV: Display the programme information.  
If you press the INFO button after channel search, the "TTX", "SUB", "HD" and logo will be displayed. All DTV signal has fixed to 1080P.
- 6 **YouTube**: Display the YouTube screen.
- 7 **NETFLIX**: Display the NETFLIX screen.  
If you press the NETFLIX button when the TV is turned off, the TV turns on and the NETFLIX screen is displayed.
- 8 (**Back**): Return to the previous screen.
- 9 **ENTER**: Select a desired item on the screen.
- 10 **INPUT**: Select an input source.
- 11 **VOL +/-**: Set the volume.
- 12 (**Mute**): Mute the sound.
  - Mute can be cancelled by pressing **VOL +/-** or .
- 13 : The coloured buttons are correspondingly used to select the coloured items on the screen.

**NOTE**

- : Select Hong Kong Digital TV setting menu.

Remote Control Unit (Hong Kong only) (Continue)



14 Buttons for useful operations

(Teletext)

Select the teletext mode.

(Subtitle)

Switch subtitle languages on/off.

15 EPG

DTV: Display the EPG screen.

16 TOOLS: Display the Tools screen.

You can access menu screen by pressing **TOOLS** while watching TV in "Live TV" apps.

17 (The Google Assistant or Google Search)


Speak the word that you want to search for into the ". . ." (Microphone)" at the upper of the remote control. When you are using the ". . ." (Microphone)", do not cover this part with your hand.

18 (HOME): Display the HOME screen.

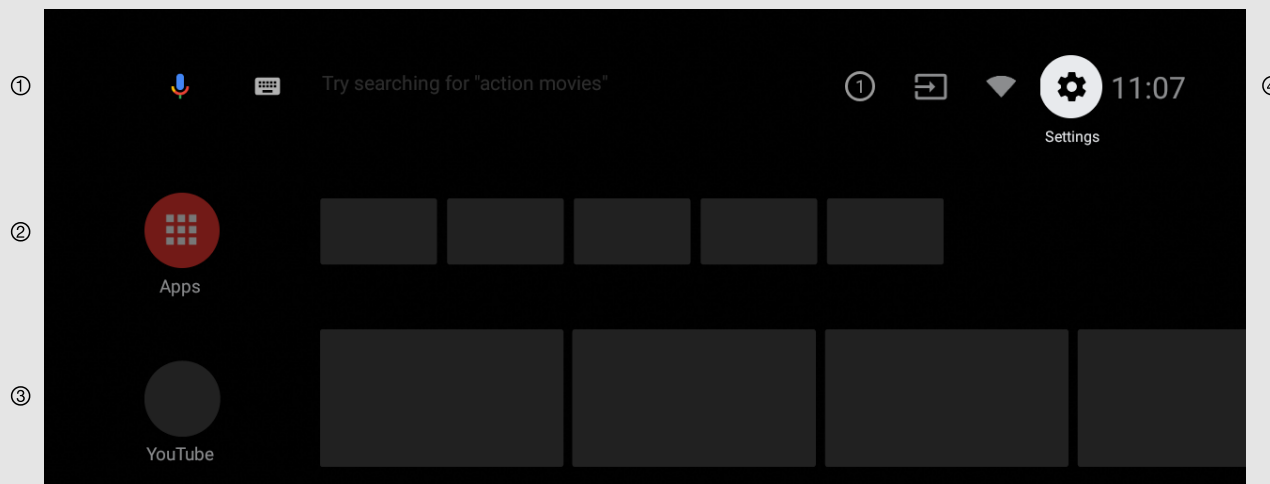
19 CH ^ / V: Select the channel.

• The Google Assistant is not available in certain languages and countries. Availability of services varies by country and language.

## Entertainment Hub

Connect to  (HOME) for apps, games, movies and more.

## Example



① Start a Search.

② Among the applications installed on the TV, the icons for the favourite applications are shown inside here. (Favourite applications can be added / deleted / changes its order by users.)



**Apps**: Click to jump to Apps screen where all the installed applications are listed.

③ The contents of the programmes that user is watching or watched are displayed here.

④



**Notifications**: Display the notifications.



**Inputs**: Icon to select an input source.



**Network Settings**: The network connection status is displayed.

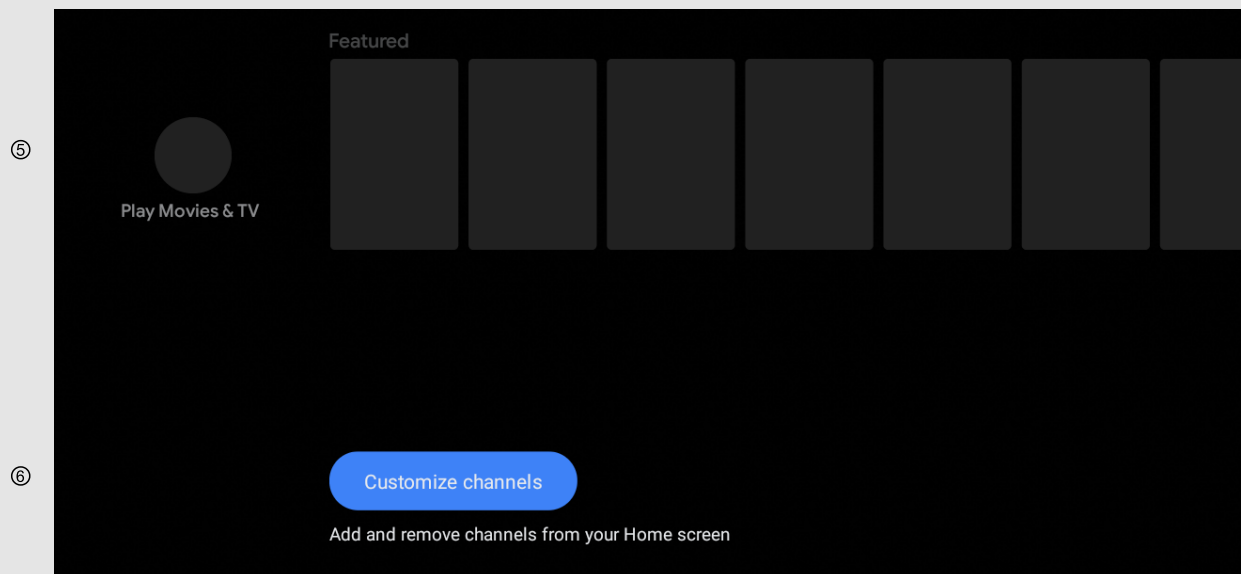


**Settings**: Various settings can be configured here.



## Entertainment Hub (Continue)

## Example



⑤ Channels served by install applications are displayed here. Channels can be changed the display order of channels by users.

⑥ Add or delete HOME screen channel.

## What Android TV can do

**Google Play Store**

Google Play Store is Google's official store and portal for Android™ apps, games and other content for your Android-powered phone, tablet or Android TV device.

[\(See page 4-1.\)](#)

**Netflix**

You can video streaming services to watch internet content. The available services vary depending on your country and region. You can launch this service by selecting their tiles in the HOME menu.

## Unique feature from SHARP

**Azan**

An app for Azan and islamic prayer times with accurate prayer time based on your current location.

[\(See page 4-3.\)](#)

## Auto installation

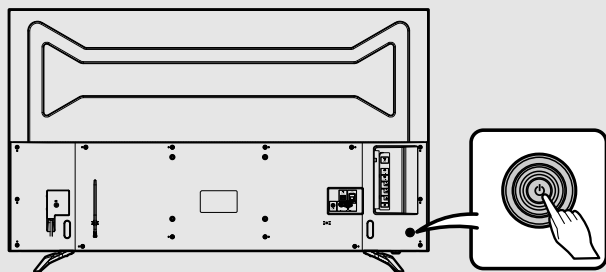
When the TV is powered on for the first time after purchase, the initial auto installation wizard appears. Follow the menus and make the necessary settings one after another.

### Confirm the following before turning on the power

- Is the antenna cable connected?
- Is the AC cord plugged in?

1 Press  (JOG-KEY) on the TV.

- The initial auto installation wizard appears.



2 Setting the OSD language.

Press  $\wedge / \vee$  to select the desired language, and then press **ENTER**.

3 Press "Continue" to allow Android phone to setup TV.

- If select "Skip", the screen will jump to step 4.

4 Press  $\wedge / \vee$  to select your Wi-Fi network.

- If select "Skip", the screen will jump to step 6.

5 Press  $\wedge / \vee$  to sign in Google account.

6 Press  $\wedge / \vee$  to select "Accept", "Terms of Service", "Privacy Policy" and "Play Terms of Service".

7 Press "Yes" or "No" to allow Google to use your device location.

8 Press "Yes" or "No" to set permission for Google to use your TV diagnosis and usage data.

- If Wi-Fi network is not connected, the description of Android TV screen will appear, and then press **ENTER**.

9 Press  $\wedge / \vee$  to select desired applications, and then press **ENTER**. The description of Android TV screen will appear, and then press **ENTER**.

- This screen will not appear if Wi-Fi network is not connected.

10 Setting the country.

Press  $\wedge / \vee$  to select your country or area, and then press **ENTER**.

### NOTE

- Digital (DVB-T/T2) broadcasting cannot be viewed in the area where digital broadcasting is not yet launched.
- DTV concerned menu may not displayed in some country.
- Hong Kong digital TV channel setting. ([See page 2-1](#) and [2-2.](#))

11 Press  $\wedge / \vee$  to start Channel scan.

12 Press  $\wedge / \vee$  to view Sharp Terms of Use and Sharp Privacy Policy.

13 Select TV mode.

Press  $\wedge / \vee$  to select where you will use this TV, and then press **ENTER**.


### Home:

- "Home" mode is optimized for efficient energy usage for home use.
- If you plan to use this TV at home, please select "Yes".

### Retail:

- "Retail" mode is optimized for store demo with fixed settings.
- "Retail" mode is for store demo only and setting are not saved. Please select "Yes" to proceed.

### NOTE

- Retail: A demonstration image will be displayed after initial auto installation is completed. If you have chosen "Retail" by mistake, go to " (HOME)" > "Settings" > "Device Preferences" > "Retail Mode" > "Continue" > "Off".

14 Press "Start" or "Skip" to RC setting.

- Internet connection enables you to use voice search by microphone key on the RC.

15 The description of Netflix screen will appear.

- Press "Next" to finish Netflix setup procedure.
- Press "Setup Network" if Wi-Fi network is not connected.

16 Press  $\wedge / \vee$  to select "Off" or "On" to enable the Chromecast built-in function.


17 Initial setup has finished.



## Software Updates via Over-The-Air (OTA)



### To search for new software updates

Refer to " (HOME)" > "Settings" > "Device Preferences" > "About" > "System update".

#### NOTE

- Make sure your TV is connected to the internet when performing software updates via OTA.
- After finished downloading, please allow some time to apply the installed updates.
- During installation, please do not perform any operations, including power off or unplug your TV.
- Software updates performance is depending on internet connection.

### OAD

Refer to "TOOLS" > "TV options" > "Advanced options" > "OAD".

- This function is for automatically download the data for the version update software over digital broadcasts when the "Auto download" is set to "Yes".
- To download, follow the instructions when the download message appears during a digital broadcast.
- Once the software upgrade is done, the TV will automatically go to standby state with Red LED.

### CAUTION

- **Do not disconnect the AC cord when the software upgrade is in progress, as this may cause the upgrade to fail. If problem arises ask a qualified service personnel before the software upgrade period expires.**

### Software License


Refer to " (HOME)" > "Settings" > "Channel" > "Open source licenses".

You can read the software licenses in the on-screen display menu.

### Software composition

The software included in this product is comprised of various software components whose individual copyrights are held by SHARP or by third parties.

### Software Version

Refer to " (HOME)" > "Settings" > "Device Preferences" > "About" > "Software Version".

You can check the current version of the software on the screen.



### How to tune the channel


Refer to "TOOLS" > "TV options" > "Settings" > "Channel" > "Channels".

You can tune channels manually.

Select from the following available settings.

- [Channel scan](#)
- [Update scan](#)
- [Single RF scan](#)
- [LCN](#)
- [Channel scan type](#)
- [Channel store type](#)

### For Hong Kong only

Refer to "DTV-HK" > "Press " > "Channel Search" > "Manual Search".

Select from the following available settings.

- [Current frequency](#)
- [Start Search](#)

### Auto channel update

Refer to "TOOLS" > "TV options" > "Settings" > "Channel" > "Auto channel update".

Select from the following available settings.

- [On](#)
- [Off](#)

### Hong Kong DTV channel setting

- 1 Press **INPUT** to select "DTV-HK" input.
- 2 Press "Yes" or "No" to start auto search.
  - You do not need to do anything during the auto search. Press ← (**Back**) to exit.
- 3 Wait until the Initial setup finishes.
  - Selected channel will be automatically reflected on the background.

### Hong Kong DTV menu setting

Press **B** to display menu screen.

#### Channel

Select from the following available settings.

- [Channel Edit](#)
- [EPG](#)
- [Subtitle](#)
- [Audio Language](#)
- [Channel List](#)
- [Program Info](#)

#### Channel Search

Select from the following available settings.

- [Auto Search](#)
- [Manual Search](#)

#### Preference

Select from the following available settings.

- [\\*OSD Language](#)
- [1st Preferred Subtitle](#)
- [2nd Preferred Subtitle](#)
- [For Hearing Impaired](#)
- [1st Preferred Audio Language](#)
- [2nd Preferred Audio Language](#)

#### NOTE

\* For Hong Kong DTV only have 3 OSD languages.  
(English, Simplified Chinese, Traditional Chinese)

#### Setting

Select from the following available settings.

- [DTV Factory Reset](#)
- [DTV Software Update](#)
- [DTV Version](#)

### Channel settings-Programme edit

Refer to "TOOLS" > "TV options" > "Settings" > "Channel" > "Channels".

Use this menu to set up a channel individually.

- [Channel skip](#)  
You can select the channels to skip.
- [Channel sort](#)  
Channel position can be sorted freely.
- [Channel move](#)  
Channels position can be moved freely.
- [Channel edit](#)  
You can change channel names individually.
- [Clear channel list](#)  
Channels can be erased individually.

### Channel settings-How to change Audio language and Soundtracks

#### Audio language/Audio language 2nd

Refer to "TOOLS" > "TV options" > "Settings" > "Channel" > "Audio language/Audio language 2nd".

#### Switching the multi audio languages

Set up to two preferred multi audio languages to display if the audio languages are available. Each time you press **AD/MPX** on the remote control unit, the audio language switches.

#### NOTE

- This function depends on audio language information from broadcasters.
- If audio for the selected language is not included in a received broadcast, audio will not be output for that language.

### Soundtracks

Refer to "TOOLS" > "TV options" > "Advanced options" > "Soundtracks".

You can choose from the multilanguages options based on your preference.

### Channel settings-How to enable Subtitle (Except Hong Kong)

#### Subtitle

Refer to "TOOLS" > "TV options" > "Advanced options" > "Subtitle".

You can display subtitles for the hearing impaired in the Teletext broadcast if the subtitle languages are available.

- [Analog subtitle](#)
- [Digital subtitle lang.](#)
- [Digital subtitle lang. 2nd](#)
- [Subtitle type](#)

#### NOTE

- If subtitles for the selected language are not included in a received broadcast, subtitles will not be shown for that language.



## Channel settings-How to launch EPG

## EPG

**What is an EPG?**

An "EPG (Electronic Programme Guide)" is a programme schedule, which is displayed on the TV screen. The EPG is broadcasted together with DTV. The TV screen shows the EPG when the viewer presses **EPG** on the remote control, provided that the TV is receiving the digital broadcasting signal. The EPG enables you to search for a programme, do timer view the programme schedule in detail.

**Basic Operation****Display the EPG screen**

- ① Press **EPG**.
- ② Press  $\wedge$  /  $\vee$  to select different programme time information.
- ③ Press  $\lt$  /  $\gt$  to change the day selection.

**Close the EPG screen**

- ④ Press **EPG** again or  $\leftarrow$  (**Back**) to exit.

**Basic Operation (Hong Kong only)****Display the EPG screen (Weekly mode)**

- ① Press **EPG**.
- ② Press  $\wedge$  /  $\vee$  to select different programme for operation.
- ③ Press **B** to change the day selection.  
Press **Y** to change the previous day selection.

**Change the EPG mode**

- ④ Press **R** to change the EPG mode selection. You can change to Weekly, Now/Next or Daily mode.

**Close the EPG screen**

- ⑤ Press **EPG** again or  $\leftarrow$  (**Back**) to exit.

### Channel settings-How to change Audio channel

If multi sound modes are received, each time you press **AD/MPX** the mode switches.

#### Switching the digital audio format (DTV only)

- The sound mode screen disappears in six seconds.
- Selectable items vary depending on the received broadcasts.
- The audio description sound is selected depending on the main audio.

#### Switching the analogue audio format

You can switch between multiple audio modes when watching a multiple audio or stereo broadcast programme.

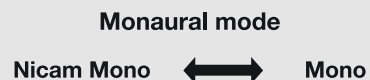
#### In the NICAM TV broadcasts When receiving a stereo signal



#### When receiving a bilingual signal



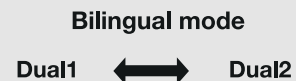
#### When receiving a monaural signal



#### In the TV mode of A2 TV broadcasts When receiving a stereo signal



#### When receiving a bilingual signal



#### When receiving a monaural signal



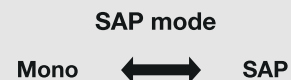
#### In the BTSC broadcasts (Philippines only) When receiving a SAP STEREO signal




#### When receiving a stereo signal



#### When receiving a SAP signal



### Channel settings-How to operate Parental controls

Refer to " (HOME)" > "Settings" > "Channel" > "Parental controls".

This function allows TV channels to be restricted. It prevents children from watching violent or sexual scenes that may be considered inappropriate.

If you have already set the password, enter it here.

- **Channels blocked**  
You can block the viewing of any selected channel.
- **Inputs blocked**  
You can block the viewing of any selected input.
- **Change PIN**  
You can set and change the Password by using **0-9**.

#### NOTE

- As a precautionary measure, make a note of your Password and keep it in a familiar place.
- PIN input is required when executing "Parental controls" screen. The default PIN is "1234".

- **Programme restrictions**

Used to enable or disable the parental control function. This function will not be selectable from the menu if you do not first configure your password.

#### Rating (Guaranteed by SHARP)

##### Singapore

**G:** Suitable for all ages.

**PG:** Suitable for all but parents should guide their young.

**PG13:** Suitable for persons aged 13 and above but parental guidance is advised for children below 13.

**NC16:** Suitable for persons aged 16 and above.

**M18:** Suitable for persons aged 18 and above.

**R21:** Suitable for adults aged 21 and above.

##### Thailand

**P:** Suitable for children kid 3-6 years.

**C:** Suitable for children kid 6-12 years.

**G:** Suitable for general audience.

**PG13:** Suitable for people aged 13 and above.

**PG18:** Suitable for people aged 18 and above. And parental guidance for children under 18.


**R:** Suitable for adult.

#### Rating (Not Guaranteed by SHARP)

This is used in countries other than Singapore and Thailand.

### Teletext settings (DTV only) (Except Taiwan and Hong Kong)

Refer to "TOOLS" > "TV options" > "Advanced options" > "Teletext".

If you set the language of the initial page (this page is displayed for the first time after pressing ) for teletext in DTV mode, it will start from the selected language page.

Select from the following available settings.

- [Digital teletext language](#)
- [Decoding page language](#)

#### NOTE

- This function is available for teletext in DTV mode. This is not available for teletext in ATV or external input mode.
- If the initial teletext page of the selected language in this function is not included in a received broadcast, the default initial page will be displayed.

### Postal code (Indonesia only)

Refer to "TOOLS" > "TV options" > "Advanced options" > "Postal code".

This function enable you to select your local postal code.

#### NOTE

- "Postal code" will be appear only when country "Indonesia" is selected.

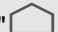
### System information (Except Hong Kong)

Refer to "TOOLS" > "TV options" > "Advanced options" > "System information".

Check for system updates and view various information of signal.

## Network and Internet

### Connecting to the Internet

To configure the network settings in order to enjoy streaming content and internet applications. These settings can be configured from " (HOME)" > "Settings" > "Network & internet".

#### NOTE

- When an Internet connection is made, LAN and wireless connection cannot be used at the same time. Use only one of the connection types.

## Using Wi-Fi

This TV is equipped with a wireless LAN function.

For a wireless LAN connection, you must use wireless setup to connect the access point and TV.

### Wow (wake on wireless network)

Enable the TV to be started by a signal over a Wi-Fi.

#### NOTE

- Standby power consumption will be increase when Wow is turned ON.

## Using LAN

Using a LAN cable (commercially available) to connect the LAN terminal on the TV to your broadband router (commercially available).

### Wol (wake on LAN)


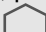

Enable the TV to be started by a signal over a LAN.

#### NOTE

- Standby power consumption will be increase when Wol is turned ON.

## Network and Internet (Continue)

## NOTE

- This TV has a built-in wireless LAN function. Using a separate wireless USB LAN adapter may result in radio communications that do not comply with regulations on radio communications. Therefore, do not use a separate wireless LAN adapter.
- A wireless LAN connection and performance cannot be guaranteed for all residential environments. In the following cases, the wireless LAN signal may be poor or drop, or the connection speed may become slower.
  - When used in buildings made with concrete, reinforced steel, or metal
  - When placed near objects that obstruct the signal
  - When used with other wireless devices that emit the same frequency
  - When used in the vicinity of microwave ovens and other devices that emit a magnetic field, electrostatic charge, or electromagnetic interference
- When there is significant interference in the 2.4-GHz frequency (such as from other wireless LAN devices, Bluetooth® devices, 2.4-GHz cordless telephones, and microwave ovens), it is recommended that you use a wireless LAN router/access point that supports IEEE802.11ac (5 GHz) and set the access point to transmit at 5 GHz. For setup details, see the operation manual of your access point.
- Operations cannot be guaranteed when used with access points that do not have Wi-Fi® certification.
- A wireless LAN router/access point is required to connect the TV to the Internet using a wireless LAN. See the operation manual of your access point for setup.
- If your access point is set to a stealth mode (that prevents detection by other devices), you may not be able to establish a connection. In this case, disable the stealth mode on the access point.
- A stable connection speed is required to play back streaming content. Use LAN connection if the wireless LAN speed is unstable.
- Before transferring to a third party or disposal, be sure to initialise the wireless LAN settings.
- Please follow the legislation in your country when using the wireless LAN outdoors.
- If you have failed to connect to the Internet in the above operation, then an error message will appear. In this case, press  (HOME) to exit from the connected TV feature to make changes to the network settings.
- If you still cannot connect to the Internet, please consult your Internet service provider or telephone company.
- You cannot configure the settings from " (HOME)" > "Settings" > "Network & internet" while using an application. If you must configure your "Network" settings, press the  (HOME) key to exit the function.

## Network and Internet (Continue)

## NOTE

**DISCLAIMERS**

- This SHARP device facilitates the access to content and services provided by third parties. The content and services accessible via this device belong to and may be proprietary to third parties. Therefore, any use of such third party content and services must be in accordance with any authorization or terms of use provided by such content or service provider. SHARP shall not be liable to you or any third party for your failure to abide by such authorization or terms of use. Unless otherwise specifically authorized by the applicable content or service provider, all third party content and services provided are for personal and non-commercial use; you may not modify, copy, distribute, transmit, display, perform, reproduce, upload, publish, license, create derivative works from, transfer or sell in any manner or medium any content or services available via this device.
- SHARP is not responsible, nor liable, for customer service-related issues related to the third party content or services. Any questions, comments or service-related inquiries relating to the third party content or service should be made directly to the applicable content or service provider. You may not be able to access content or services from the device for a variety of reasons which may be unrelated to the device itself, including, but not limited to, power failure, other Internet connection, or failure to configure your device properly. SHARP, its directors, officers, employees, agents, contractors and affiliates shall not be liable to you or any third party with respect to such failures or maintenance outages, regardless of cause or whether or not it could have been avoided.
- ALL THIRD PARTY CONTENT OR SERVICES ACCESSIBLE VIA THIS DEVICE IS PROVIDED TO YOU ON AN "AS-IS" AND "AS AVAILABLE" BASIS AND SHARP AND ITS AFFILIATES MAKE NO WARRANTY OR REPRESENTATION OF ANY KIND TO YOU, EITHER EXPRESS OR IMPLIED, INCLUDING, WITHOUT LIMITATION, ANY WARRANTIES OF MERCHANTABILITY, NON-INFRINGEMENT, FITNESS FOR A PARTICULAR PURPOSE OR ANY WARRANTIES OF SUITABILITY, AVAILABILITY, ACCURACY, COMPLETENESS, SECURITY, TITLE, USEFULNESS, LACK OF NEGLIGENCE OR ERROR-FREE OR UNINTERRUPTED OPERATION OR USE OF THE CONTENT OR SERVICES PROVIDED TO YOU OR THAT THE CONTENT OR SERVICES WILL MEET YOUR REQUIREMENTS OR EXPECTATIONS.
- SHARP IS NOT AN AGENT OF AND ASSUMES NO RESPONSIBILITY FOR THE ACTS OR OMISSIONS OF THIRD PARTY CONTENT OR SERVICE PROVIDERS, NOR ANY ASPECT OF THE CONTENT OR SERVICE RELATED TO SUCH THIRD PARTY PROVIDERS.
- IN NO EVENT WILL SHARP AND/OR ITS AFFILIATES BE LIABLE TO YOU OR ANY THIRD PARTY FOR ANY DIRECT, INDIRECT, SPECIAL, INCIDENTAL, PUNITIVE, CONSEQUENTIAL OR OTHER DAMAGES, WHETHER THE THEORY OF LIABILITY IS BASED ON CONTRACT, TORT, NEGLIGENCE, BREACH OF WARRANTY, STRICT LIABILITY OR OTHERWISE AND WHETHER OR NOT SHARP AND/OR ITS AFFILIATES HAVE BEEN ADVISED OF THE POSSIBILITY OF SUCH DAMAGES.

### Chromecast built-in compatible devices

When you connect a device such as a Chromecast built-in compatible smartphone or tablet to this TV, you can enjoy video and audio from the device on the TV's large screen and speakers.


#### NOTE

- When the TV is turned off or the connection is ended on the device, you must connect the device again.
- For details about the operation of the Chromecast built-in compatible device, check the manual for that device.

### Audio Devices

#### HDMI Input (Except Hong Kong)


##### Speaker select ARC

Refer to " (HOME)" > "Settings" > "Device Preferences" > "Sound" > "Speaker select ARC".

You can select to listen to the TV sound only from the LINK-compatible audio system.


- [Internal Speakers](#)
- [External Devices](#)

##### Inputs

Refer to " (HOME)" > "Settings" > "Device Preferences" > "Inputs".

Change the label for an input terminal, and switch between HDMI CEC Control Settings.

#### Digital Audio Output (Except Hong Kong)

Refer to " (HOME)" > "Settings" > "Device Preferences" > "Sound" > "Digital Audio Output".

This function allows you to select the digital audio signal type.

- [Auto](#)
- [Bypass](#)
- [PCM](#)
- [Dolby Digital Plus](#)
- [Dolby Digital](#)



### Bluetooth setup

This feature enable a TV to connect with other Bluetooth devices via Bluetooth connection.


#### NOTE

- When you use the Bluetooth device with your TV for the first time, you must make pairing between the device and the TV. Once the pairing is correctly carried out, the Bluetooth device will be registered on the TV.
- Connectivity and reception range may depend on condition, environment, and distance of Bluetooth devices.
- Sound quality and compatibility are depending on Bluetooth devices.
- The Bluetooth format only supports HID, A2DP and AVRCP.

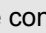
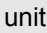
### Bluetooth devices

You can add, delete or select Bluetooth devices.

### Connection/Selection Procedure

- 1** Turn the Bluetooth device on and put it in pairing mode.  
To put your Bluetooth device in pairing mode, refer to the operation manual of the device.
- 2** Refer to " (HOME)" > "Settings" > "Remotes & Accessories" > "Add accessory" to put the TV in pairing mode.  
A list of available Bluetooth device will be displayed.
- 3** Select the desired device from the list, then follow the on screen display instruction.  
If you are prompted to enter a password, refer to the operation manual of the device.  
After pairing is completed, the device connects to the TV.

#### NOTE

- To pair the remote control unit with the TV, please hold **CH**  and  for 10 seconds. Wait for about 1 minute before pairing.

## USB

### Preparation

You can connect the TV to a USB memory device and USB hard drive to enjoy viewing pictures, listening to music, and watching videos.

### NOTE

- Depending on the USB memory device/USB hard drive, the TV may not be able to recognise the recorded data.
- It may take time to read the recorded data if the USB memory device/USB hard drive contains many files or folders.
- Use only alphanumeric characters for naming files.
- File names (may vary depending on character set) may not be displayed.

### Connecting a USB Memory Device/USB Hard Drive

Insert the USB memory device with recorded photos, music or videos into the USB 1 or USB 2 terminal on the TV.


- When connecting a USB hard drive, be sure to use a hard drive with an AC adapter.
- Do not remove a USB memory device from the TV while transferring files, using the slide show function, or switching screens, or before you exit "MultiMediaPlayer".
- Do not insert and remove a USB memory device/USB hard drive to and from the TV repeatedly.
- When using a card reader, be sure to insert a USB memory device first.

### CAUTION

- **Do not use a USB extension cable when connecting a USB memory device to the USB terminal on the TV.**
- **Using a USB extension cable with the USB memory device may prevent the TV from performing correctly.**

## USB (Continue)

### Selecting the Folders to Play Back

- To play back data on a USB memory device insert the USB memory device on the TV.
- Press " (HOME)" > "Apps" > "MultiMediaPlayer" to open the Playback screen.
  - Press </> to select "Video", "Photo", "Audio" or "Text", and then press **ENTER**.
  - Press  $\wedge$  /  $\vee$  (or </>) to select the drive/server where you want to find your file, and then press **ENTER**. (Only can select if more than one USB input.)
  - Press </> to select the desired folder, and then press **ENTER**.

### NOTE

- USB only support device up to DC5V 1.5A.
- (Hong Kong only)
- USB 1 support device up to DC5V 0.5A.
  - USB 2 support device up to DC5V 1.5A.

## USB Device Compatibility

USB device	USB Memory, USB card reader (Mass Storage class), USB hard drive
File system	FAT/FAT32/NTFS (read only)

## Photo file format

Format	JPEG, PNG, BMP
--------	----------------

## Audio file format

Format	Sampling rate [KHz]	Bitrate [Kbps]
MP3	8/11.025/12/16/ 22.050/24/32/44.1/48	8~320
AAC	32/44.1/48	8~320
WMA	8/11.025/16/22.05/ 32/44.1/48/64/88.2/96	8~384
WAV	8/11.025/12/16/ 22.050/24/32/44.1/48	8~1024

### NOTE

- If the TV is turned off and then on again, the number assigned to the USB may change.

## USB (Continue)

## Selecting the Folders to Play Back (Continue)

## Video file format

Container	Video	Audio
AVI	MPEG-1 MPEG-2 MPEG-4 H.264	PCM MP2: MPEG-1 Layer2 MP3: MPEG-1 Layer3 AAC AC3 WMA
MKV	MPEG-1 MPEG-2 MPEG-4 H.264 VP8 H.265(HEVC)	PCM MP2: MPEG-1 Layer2 MP3: MPEG-1 Layer3 AAC AC3 WMA VORBIS
ASF	MPEG-4 VC1(WMV3)	MP3: MPEG-1 Layer3 WMA
PS	MPEG-1 MPEG-2	MP2: MPEG-1 Layer2 MP3: MPEG-1 Layer3 AC3
TS	MPEG-2 VC1(WMV3) H.264 H.265(HEVC)	MP2: MPEG-1 Layer2 AAC AC3
MP4	MPEG-4 H.264 H.265(HEVC) VP8 VC1(WMV3)	MP2: MPEG-1 Layer2 MP3: MPEG-1 Layer3 AAC

## NOTE

- Progressive format jpeg files are not supported.
- USB 1.1 devices may not be played properly.
- Operation using USB hubs is not guaranteed.
- Some video file formats may not be played depending on the file.
- Some images may not be displayed in the appropriate aspect ratio depending on the file format.
- File extensions are not used to determine the file format.

## USB (Continue)

## Playing Back Files on a USB Memory Device

## Photo Mode/Audio Mode/Video Mode

## Buttons for thumbnail/list operations

Buttons	Description
△/▽/◀/▶	Select a desired item.
ENTER	When selecting a folder icon: Enter this directory. When selecting a photo file: Enlarge the photo. When selecting an audio file: Play audio. When selecting a video file: Play the video file.
← (Back)	Return to the previous process.
B (blue)	Change Thumbnail/List mode.
TOOLS	Display the Menu screen.

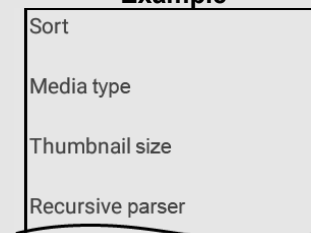
## NOTE

- When you are viewing the MultiMediaPlayer app in Audio Mode, you cannot configure Picture/Audio settings.

## Menu for thumbnail operations

Press △/▽ to select an item and make settings to your preferences.

## Example



## Sort

- You can change the way in which files are ordered.
- Press △/▽ to select "Type", "Date" or "Name" and then press ENTER.

## Media type

- Switch the media type when the Recursive parser display is displayed.

## Thumbnail size

- Change the thumbnail size.

## Small/Medium/Large

## Recursive parser

- Display all files according to the Media type settings.

## Photo frame

- You can add frame to your photo.

## NOTE

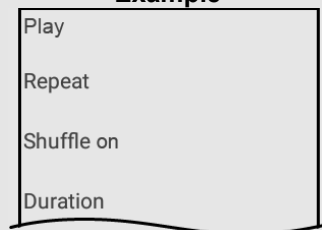
- You can see the file name, file size and pixel size of the selected photo in the upper-left corner of the screen.

**USB (Continue)****Playing Back Files on a USB Memory Device (Continue)****Photo Mode****Slide Show**

The photos displayed on the thumbnail selection screen are displayed as a slide show.

**Buttons for slide show operation**

Buttons	Description
▶	Play the Slide Show.
	Pause the Slide Show.
∧/∨/⟨/⟩, ENTER	Select the desired item.
← (Back)	Return to the thumbnail selection screen.
TOOLS	Display the USB Menu screen.

**Menu for slide show****Example****Play/Pause**

Start or pause slideshow.

**Repeat**

Set whether to show the slide show repeatedly.

**None/Repeat one/Repeat all**

**Shuffle on/Shuffle off**

Shuffle the image files within the folder and display as a slide show.

**Duration**

Specify the length of time before the next image appears.

Press **∧/∨** to select the desired length of the time, and then press **ENTER**.

**Short/Medium/Long**

**Effect**

Specify the effect for transitioning to the next image.

**None/Dissolve/Wipe right/Wipe left/Wipe up/Wipe down/Box in/  
Box out/Random**

**Rotate\***

Rotate the photo by 90 degrees to the right.

\* Only displayed when playback is paused.

**Zoom\***

Zoom in on the image.

**1 X/2 X/4 X**

\* Only displayed when playback is paused.

**Show info**

Display the photo information.

**Photo frame image**

Display the photo in frame.

**NOTE**

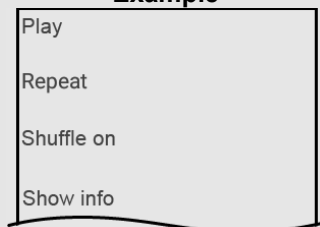
- The slide show continues until you press **← (Back)**.
- For setting the slide show speed, select "Duration" on the Menu screen.
- Depending on the contents, the TV system cannot display the picture at its original resolution in some cases. TV system may adjust the picture resolution accordingly.

**USB (Continue)****Playing Back Files on a USB Memory Device (Continue)****Audio Mode****Playing Mode****Buttons for playing mode**

Buttons	Description
◀◀	The fast reverse speed changes every time you press ◀◀.
▶▶	The fast forward speed changes every time you press ▶▶.
	Pause the music.
◀◀	Go to the previous file.
▶▶	Go to the next file.
^ / v / < / > , ENTER	Select a desired item.
← (Back)	Return to the previous process.
TOOLS	Display the Menu screen.

**NOTE**

- The displayed play time may differ slightly from the actual play time depending on the files.

**Menu for playing mode****Example****Play/Pause**

Start or pause music.

**Repeat**

Configure the repeat playback settings.

**None/Repeat one/Repeat all**

**Shuffle on/Shuffle off**

Shuffle the music within the folder.

**Show info**

Display audio information.

**Hide spectrum/Show spectrum**

Show or hide the spectrum.

**Lyric options**

You can change the lyric display type.

This is only available when a lyrics file (".lrc") is presented.

Only UTF-8 character code lyric files (without BOM) are supported.

**Audio only**

When listening to music from a music programme, you can turn the screen off and enjoy audio only.

**Audio setting**

Display soundtracks info.

**Sound setting**

[See pages 6-1 and 6-2.](#)

## USB (Continue)

## Playing Back Files on a USB Memory Device (Continue)

## Video Mode

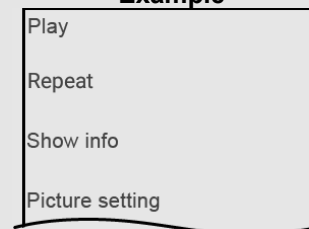
## Playing Mode

## Buttons for playing mode

Buttons	Description
◀◀	The fast reverse speed changes every time you press ◀◀.
▶	Play the video.
▶▶	The fast forward speed changes every time you press ▶▶.
⏸	Pause the video.
◀◀	Go to the previous file.
■	Stop the video.
▶▶	Go to the next file.
^ / v / < / > , ENTER	Select a desired item.
← (Back)	Return to the previous process.
TOOLS	Display the Menu screen.

## Menu for playing mode

## Example

**Play/Pause**

Start or pause the video.

**Repeat**

Configure the repeat playback settings.

**None/Repeat one/Repeat all**

**Show info**

Display the video information.

**Picture setting**

[See pages 5-1 to 5-4.](#)

**Sound setting**

[See pages 6-1 and 6-2.](#)

**Audio setting**

Display soundtracks info.



**Last memory**

Press ^ / v to select "Off" or "Time", and then press **ENTER**.



## The Google Assistant or Google Search

You may ask questions and complete tasks on your TV.

- Press  (The Google Assistant or Google Search) /  (Voice) button on the remote control.
- Search with your voice.

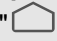
### NOTE

- The Google Assistant is not available in certain languages and countries. Availability of services varies by country and language.


## Google Play Store

You may download apps from the Google Play Store on the TV, just like you do with smartphones and tablets.

### To install app

- Refer to " (HOME)" > "Google Play Store" app and select an app that you want to download and then the app will start downloading.
- After downloading, the app is automatically installed and added. The icon will appear in the Apps screen, allowing you to launch it.

### To uninstall app

Refer to " (HOME)" > "Settings" > "Apps" > "See all apps" and select an app to be deleted and then uninstall the app.

### NOTE

- We recommend that you create a Google Account on a computer or mobile device.
- You can only download apps that are compatible with the TVs. It may differ from apps for smartphones or tablets.
- An internet connection and Google Account are required to download apps from the Google Play Store.


## Google Account setting

### Accounts & sign-in

Refer to " (HOME)" > "Settings" > "Accounts & sign-in".

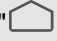
To sign in, enter your email address and password.

### Location

Refer to " (HOME)" > "Settings" > "Device Preferences" > "Location".

Configure the location settings.

### Usage & Diagnostics

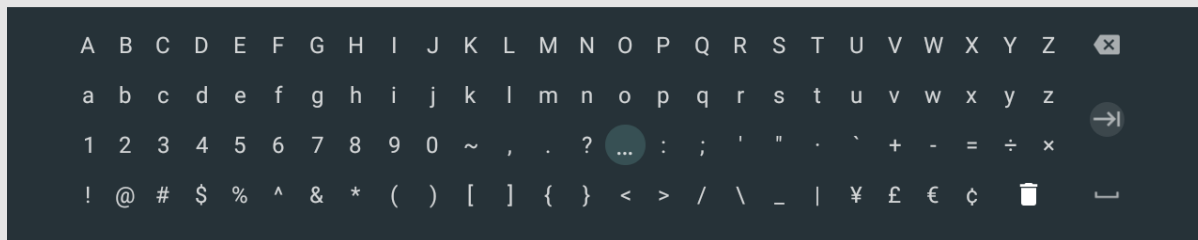
Refer to " (HOME)" > "Settings" > "Device Preferences" > "Usage & Diagnostics".

Automatically send diagnostic information to Google, like crash reports and usage data from your device, apps, and Chromecast built-in. This information won't be used to identify you. You can adjust these permissions at any time from device settings. Learn more at: [g.co/AndroidUsageHelp](https://g.co/AndroidUsageHelp) and [g.co/cast/device\\_stats](https://g.co/cast/device_stats).

## Keyboard

When you are editing an input screen or specifying the Network settings used for accessing the Internet, enter text from the software keyboard.

The text you enter is displayed as you type it in.



While you are entering text, likely input conversion candidates are displayed based on what you typed in.



Erases the character string.



Enters a space.



Applies the entered information and closes the software keyboard.



Erases text one character at a time.

### NOTE

- You can enter up to 128 characters for text.
- Some special characters or diacritics may not be available depending on where you enter the text.

## Unique feature from SHARP

### Azan - Prayer time

Refer to "  (HOME)" > "Settings" > "Apps" > "See all apps" > "Azan" app.

This feature could help a Muslim user to stay on top of Prayers with Azan by getting the accurate prayer times via notification. By configuring location and time zone, all five times prayer will be calculated according to the pointed calculation method.

- **Auto Setup:**  
This function allows you to select the address configuration through pre-set data. (Country, Province, City)
- **Manual Setup:**  
You can insert manually all informations in the screen.
- **Prayer Time Selection:**  
You can select or deselect between 5 prayers for Azan notification.
- **Notification:**  
You can select or deselect prayer time to notify and enable or disable prayer alert.
- **Info:**  
A quick reference for you to get info on five times prayer after setup completed.
- **Demo:**  
A demonstration video will be displayed when Azan is implemented.

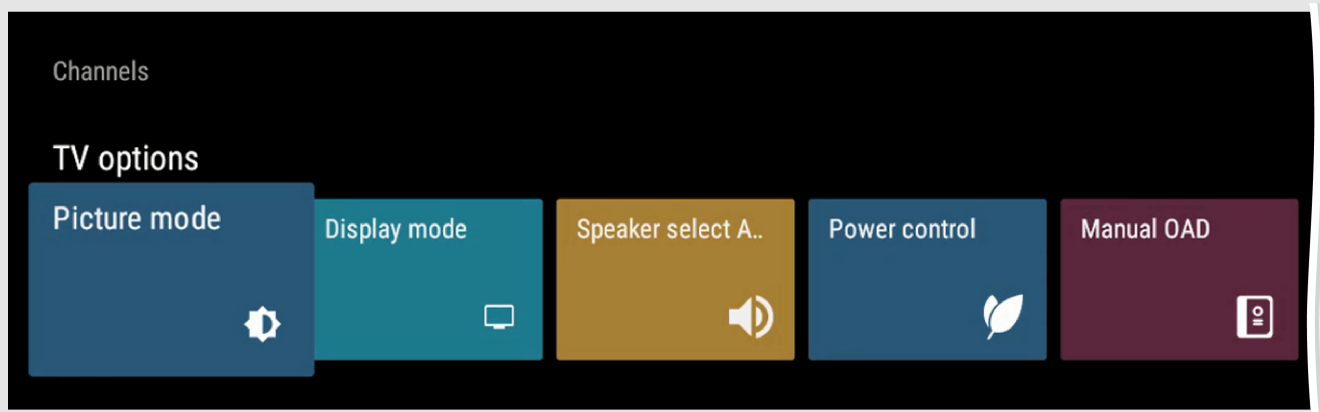
## NOTE

- The notification will be displayed on the screen for 5 minutes. After 5 minutes, the notification screen will be off automatically.
- The notification is based on the setting in Prayer time selection.
- Press **← (Back)** to off the notification screen immediately.
- The TV and Azan time information prior to internet connection.
- The TV time information from digital TV signal will be used if internet connection is not available.
- Deviation of the TV and Azan display time may occur due to improper digital broadcast standard.



## Tools screen setting

Tools menu screen



1 Press **TOOLS** to display the TOOLS screen.

2 Press **</>** to select the desired menu.

- \*Channels - Add to my favorite, Program guide, New channels available
- TV options - Picture mode, Display mode, Speaker select ARC, Power control, Manual OAD, Advanced options, Settings


3 Press **TOOLS** to exit.

### NOTE

\* Except Hong Kong.

- Press **INPUT** to select "DTV-HK" to watch Hong Kong Digital TV. (Hong Kong only)


**Picture Mode (Changing Pic. Quality)**

Refer to " (HOME)" > "Settings" > "Device Preferences" > "Picture" > "Picture Mode".

Picture Mode gives you several viewing option to choose from to best match the surrounding environment of the TV, which can vary due to factors like room brightness, type of programme watched or the type of device connected.

- **User:**  
Customise the picture setting.
- **Standard:**  
Default picture settings for common users.
- **Dynamic:**  
For a clear-cut image emphasising high contrast, useful for sports viewing.
- **Comfort Mode:**  
Reduce the blue light of the TV.
- **Movie:**  
Dim down the colour for long hour viewing.
- **Game:**  
Lower latency for fast gaming illustration.
- **Super Eco:**  
Reduce the backlight brightness to save power consumption.

**Configuring Picture settings**

Refer to " (HOME)" > "Settings" > "Device Preferences" > "Picture".


Adjusts the picture to your preference with the following picture settings.

Selected item	< button	> button
<b>Backlight</b>	The screen dims	The screen brightens
<b>Brightness</b>	For less brightness	For more brightness
<b>Contrast</b>	For less contrast	For more contrast
<b>Colour</b>	For less colour intensity	For more colour intensity
<b>Tint</b>	Skin tones become reddish	Skin tones become greenish
<b>Sharpness</b>	For less sharpness	For more sharpness

**NOTE**

- For resetting all Picture settings items to the factory preset values, press  $\wedge / \vee$  to select "Reset to Default", press **ENTER**, press  $\lt / \gt$  to select "Yes", and then press **ENTER**.

**Configure advanced Picture settings**

Refer to " (HOME)" > "Settings" > "Device Preferences" > "Picture".


**Gamma**

Adjusts the differences of picture tones between bright parts and dark parts.

- [Dark](#)
- [Middle](#)
- [Bright](#)

**Color Temp**

For a better white balance, use colour temperature correction.

- [User:](#) White with bluish tone
- [Cool:](#)
- [Standard:](#) 
- [Warm:](#) White with reddish tone
- [Red/Green/Blue Gain:](#) Adjusts the white balance by changing the value of each item.

**CMS (Colour Management System)**

Colour tone is managed using the six-colour adjustment setting.

- [Tint:](#)  
This is a standard to adjust the colour either more reddish or more bluish in tone.
- [Colour:](#)  
Increases or decreases the saturation of a selected colour.
- [Brightness:](#)  
A higher value makes the image brighter.

**NOTE**

- A lower value makes the image darker.

**HDR related settings**

Refer to "TOOLS" > "Picture setting" > "Picture".

**HDR (High Dynamic Range)**

The HDR (High Dynamic Range) technology implements video image that is very similar to the image shown through human eyes by finely adjusting the contrast of the source.


- [Auto:](#)  
Enable HDR effect for HDR source.
- [Off:](#)  
Disable HDR effect for HDR source.

**NOTE**

- This feature only available in certain third party applications.



### Unique Picture setting from SHARP

Refer to " (HOME)" > "Settings" > "Device Preferences" > "Picture" > "Advanced Video".

#### Digital Noise Reduction

Reduces noise on screen and produces a clearer video image.

- Off
- Low
- Medium
- High
- Auto

#### MPEG NR

This feature improves the quality of pictures by reducing the block noise and mosquito noise without compromising the picture resolution.

- Off
- Low
- Medium
- High

#### Active contrast

Automatically adjusts the image contrast according to the scene.

- Off
- Low
- Medium
- High

#### DI Film Mode

This function provides high-quality playback of images originally encoded at 24 frames/second, such as films.

- Off
- Auto

**Input settings****Display mode**

Refer to "TOOLS" > "TV options" > "Display mode".

This function changes the screen size.

The Display mode menu varies depending on the input source.

**For 4:3 programmes**

**Automatic:** Keeps the original aspect ratio based on source information and enlarge the picture as much as possible.

**Full:** For 16:9 squeeze pictures.

**Wide screen:** For viewing widescreen programmes. The top and bottom of the image is cropped.

**Super zoom:** Removes the black bars on the side of 4:3 broadcasts. There is minimal distortion.

**Unscaled:** Detects the resolution of the signal and displays an image with the same number of pixels on the screen.

**4:3:** Keeps the original aspect ratio in a full screen display.

**Movie expand 14:9:** For 14:9 letterbox pictures. Bars may appear on the top and bottom with some programmes.

**Movie expand 16:9:** For 16:9 letterbox pictures. Bars may appear on the top and bottom with some programmes.

**NOTE**

- Some items do not appear depending on the type of received signal.

**PC Mode**

Refer to "TOOLS" > "TV options" > "Settings" > "Device Preferences" > "Picture" > "Advanced Video" > "PC Mode".

Adjusts the picture when a PC is connected to the TV via HDMI.

- On
- Off

**HDMI RGB range**

Refer to "TOOLS" > "TV options" > "Settings" > "Device Preferences" > "Picture" > "Advanced Video" > "HDMI RGB range".

Sets the HDMI type for HDMI IN 1 and 2 terminals.


**Auto:** Automatically detect HDMI 4K60P 4:4:4 or HDMI 4:2:0 device.

**Full:** When an HDMI 4K60P 4:4:4 device is connected.

**Limited:** When an HDMI 4:2:0 device is connected.




**Audio Mode**

Refer to " (HOME)" > "Settings" > "Device Preferences" > "Sound" > "Audio Mode".

This function allows you to convert the audio quality. Select from the following available settings.

- **User:**  
Customise the sound setting.
- **Standard:**  
Optimise sound quality for general content.
- **Dynamic:**  
Enhances the treble and bass for a clearer sound.
- **Sports:**  
Simulates the larger space of a stadium or other venue.
- **Movie:**  
Optimise surround sound suitable for movie.
- **Music:**  
Optimise sound for listening to music.
- **Clear:**  
Makes voice clearer by lowering background sound.

**Configuring Sound settings**

Refer to " (HOME)" > "Settings" > "Device Preferences" > "Sound".


You can adjust the sound quality to your preference with the followings settings.

Selected item	< button	> button
<b>Balance</b>	Decrease audio from the right speaker	Decrease audio from the left speaker
<b>Bass</b>	For weaker bass	For stronger bass
<b>Treble</b>	For weaker treble	For stronger treble

**NOTE**

- For resetting all Sound settings items to the factory preset values, press  $\wedge / \vee$  to select "Reset to Default", press **ENTER**, press  $\langle / \rangle$  to select "Yes", and then press **ENTER**.

**Configure advanced Sound settings**

Refer to " (HOME)" > "Settings" > "Device Preferences" > "Sound".

**Sound Surround**

The surround function produces Surround effect from the speakers.

- [On](#)
- [Off](#)

**NOTE**

- For some discs, setup may be required on your BD/DVD player. In this case, please refer to the operation manual of your BD/DVD player.

**Equalizer Detail**

This function allows you to change the sound quality.


- [120Hz](#)
- [500Hz](#)
- [1500Hz](#)
- [5000Hz](#)
- [10000Hz](#)

**SPDIF Delay**

If you are hearing an audio delay across all sources or channels and you have a home theatre system or other speakers connected to your TV, you can access the SPDIF Delay settings to increase the SPDIF Delay.

Selected item	< button	> button
SPDIF Delay	For later delay	For advance delay

**Unique Sound setting from SHARP**

Refer to " (HOME)" > "Settings" > "Device Preferences" > "Sound".

**Auto Volume**

Different sound sources sometimes do not have the same loudness level, such as a programme and its commercial breaks. The Auto Volume reduces this problem by equalising it.


- [On](#)
- [Off](#)

**Downmix Mode**

You can select the multi-channel downmix method that is compatible with your stereo system.

- [Stereo](#)
- [Surround](#)


### Sleep Timer

Refer to " (HOME)" > "Settings" > "Device Preferences" > "Power Control" > "Sleep Timer".

Allows you to set a time when the TV automatically switches to standby. Set the Sleep Timer.


Off → 10 Minutes → 20 Minutes → 30 Minutes → 40 Minutes  
↑ 120 Minutes ← 90 Minutes ← 60 Minutes ← 50 Minutes ↩

### Switch Off Timer

Refer to " (HOME)" > "Settings" > "Device Preferences" > "Power Control" > "Switch Off Timer".

You can use this function to automatically shut off the TV after pre-configured period of time.

### No Signal Off

Refer to " (HOME)" > "Settings" > "Device Preferences" > "Power Control" > "No Signal Off".

When this function is enabled, the TV automatically shuts down if no signal is received for more than 5 to 60 minutes.

- Off
- 5 Minutes
- 10 Minutes
- 15 Minutes
- 30 Minutes
- 60 Minutes

#### NOTE


- When it is 5 minutes before the power shuts down, the remaining time will start to keep appearing every minute.
- When a TV programme finishes, this function may not operate.

### Screen saver

Refer to " (HOME)" > "Settings" > "Device Preferences" > "Screen saver".

Set the Screen saver.

### Storage

Refer to " (HOME)" > "Settings" > "Device Preferences" > "Storage".

View the memory usage status.

### Accessibility

Refer to " (HOME)" > "Settings" > "Device Preferences" > "Accessibility".

Configure Audio Description, Visually Impaired, Hearing Impaired, Captions and High contrast text. Some of the Caption settings may not be applied.

### Auto sleep

Refer to "TOOLS" > "TV options" > "Advanced options" > "Auto sleep" > "Never" to continue watching TV.


Select from the following available settings.

- Never
- 4 hours
- 6 hours
- 8 hours

#### NOTE

- The default setting for "Auto sleep" is "Never".

### Reset


Refer to " (HOME)" > "Settings" > "Device Preferences" > "Reset".

When you perform a reset, the TV will be returned to the factory preset values, and the Google Accounts will also be removed.

#### NOTE

- Your purchased apps will remain.

**Troubleshooting**


Problem	Possible Solution
<ul style="list-style-type: none"> <li>No power.</li> </ul>	<ul style="list-style-type: none"> <li>Check if you pressed  (POWER) on the remote control unit.</li> <li>Is the AC cord disconnected?</li> <li>Has the power been turned on?</li> </ul>
<ul style="list-style-type: none"> <li>Unit cannot be operated.</li> </ul>	<ul style="list-style-type: none"> <li>External influences such as lightning, static electricity, may cause improper operation. In this case, operate the unit after first turning off the power of the TV or unplugging the AC cord and replugging it in after 1 or 2 minutes.</li> </ul>
<ul style="list-style-type: none"> <li>Remote control unit does not operate.</li> </ul>	<ul style="list-style-type: none"> <li>Is the equipment to be operated by the remote control unit set correctly?</li> <li>Are batteries inserted with polarity (+, -) aligned?</li> <li>Are batteries worn out? (Replace with new batteries.)</li> <li>Are you using it under strong or fluorescent lighting?</li> <li>Is a fluorescent light illuminated near the remote control sensor?</li> </ul>
<ul style="list-style-type: none"> <li>Picture is cut off/with sidebar screen.</li> </ul>	<ul style="list-style-type: none"> <li>Are Display Mode adjustments such as picture size made correctly? <a href="#">Page 5-4</a></li> </ul>
<ul style="list-style-type: none"> <li>Strange colour, light colour, or colour misalignment.</li> </ul>	<ul style="list-style-type: none"> <li>Adjust the picture tone. <a href="#">Pages 5-1 to 5-4</a></li> <li>Is the room too bright? The picture may look dark in a room that is too bright.</li> </ul>
<ul style="list-style-type: none"> <li>Power is suddenly turned off.</li> </ul>	<ul style="list-style-type: none"> <li>Is the sleep timer set? <a href="#">Page 7-1</a></li> <li>Check the power control settings. <a href="#">Page 7-1</a></li> <li>The unit's internal temperature has increased. Remove any objects blocking vent or clean.</li> </ul>

Problem	Possible Solution
<ul style="list-style-type: none"> <li>No picture.</li> </ul>	<ul style="list-style-type: none"> <li>Is the connection to the device correct?</li> <li>If the PC image is not displayed, check the following:                             <ul style="list-style-type: none"> <li>When connecting a laptop PC to the TV, check that display output mode of the PC is set to external monitor.</li> <li>For 4K60P signals applied to an HDMI input, the external device may not be outputting signals correctly. Set "HDMI RGB range" to "Limited". <a href="#">Page 5-4</a></li> </ul> </li> </ul>
<ul style="list-style-type: none"> <li>Picture quality of HD programmes is poor.</li> </ul>	<ul style="list-style-type: none"> <li>To enjoy HD images from external equipment, you are required to set up HDMI connection.</li> <li>If the programme content is not of HD quality, HD images cannot be displayed. Check that the programme you are viewing provides HD images.</li> <li>The HD cable/satellite set-top box may need to be configured to output HD images via cable/satellite.</li> <li>The cable/satellite broadcast may not support a signal resolution of 1080p.</li> </ul>
<ul style="list-style-type: none"> <li>The TV sometimes makes a cracking sound.</li> </ul>	<ul style="list-style-type: none"> <li>This is not a malfunction. This happens when the cabinet slightly expands and contracts according to change in temperature. This does not affect the TV's performance. Do not open the rear cover of the cabinet to reconstruct the circuits. There exists high voltage within the cabinet and it may cause electric shock and injury. If maintenance is required, contact your dealer.</li> </ul>

**NOTE**

- If require any assistance with troubleshooting, please contact SHARP Customer Care.

## Troubleshooting (Continue)

Problem	Possible Solution
<ul style="list-style-type: none"> <li>No sound.</li> </ul>	<ul style="list-style-type: none"> <li>Is the connection to the device correct?</li> <li>Is the volume too low?</li> <li>Have you pressed  (Mute) on the remote control unit?</li> <li>Check the audio output of the connected external equipment. Is the volume too low or muted?</li> <li>When external equipment is connected via an HDMI cable, you may need to configure the audio to be output through the HDMI cable.</li> <li>When connecting a PC via an HDMI-certified cable, check the following: <ul style="list-style-type: none"> <li>Is the audio output of the PC configured correctly? Check the audio output settings and output audio format in Sound Properties on the PC.</li> </ul>           The audio formats compatible with this TV are PCM, Dolby Digital. With other formats, audio cannot be output.         </li> </ul>
<ul style="list-style-type: none"> <li>Chromecast built-in image/ audio cannot be output to the TV.</li> </ul>	<ul style="list-style-type: none"> <li>Check if the smartphone/tablet is connected in the same Wi-Fi network.</li> </ul>
<ul style="list-style-type: none"> <li>Software updates via Over-The-Air (OTA) is not successful.</li> </ul>	<ul style="list-style-type: none"> <li>Make sure your internet connection is working.</li> <li>If the TV is connected to Internet, but no connection available, please disconnect the internet from your TV and then reconnect again.</li> </ul>

## Troubleshooting - Error Message

The example of an error message displayed on a screen	Possible Solution
<ul style="list-style-type: none"> <li>No broadcast now.</li> </ul>	<ul style="list-style-type: none"> <li>Check the antenna cable. Check that the antenna is correctly setup.</li> <li>Check the broadcast time in the programme guide.</li> </ul>
<ul style="list-style-type: none"> <li>An incompatible audio signal has been received. Check the output device settings.</li> </ul>	<ul style="list-style-type: none"> <li>This message is displayed when an audio format other than PCM, Dolby Digital is input. <ul style="list-style-type: none"> <li>Set the audio output format of connected external HDMI equipment to PCM, Dolby Digital.</li> <li>Refer to the operation manual of the external equipment for setting details.</li> </ul> </li> </ul>

## NOTE

- If require any assistance with troubleshooting, please contact SHARP Customer Care.

### Trademarks

- Google, Google Play, YouTube and Android TV are trademarks of Google LLC.
- The Google Assistant is not available in certain languages and countries. Availability of services varies by country and language.
- Manufactured under license from Dolby Laboratories. Dolby, Dolby Audio, and the double-D symbol are trademarks of Dolby Laboratories.
- The terms HDMI, HDMI High-Definition Multimedia Interface, and the HDMI Logo are trademarks or registered trademarks of HDMI Licensing Administrator, Inc.
- The Wi-Fi CERTIFIED™ Logo is a certification mark of Wi-Fi Alliance®.
- The Bluetooth® word mark and logos are registered trademarks owned by the Bluetooth SIG, Inc. and any use of such marks by SHARP Corporation is under license. Other trademarks and trade names are those of their respective owners.
- ANY USE OF THIS PRODUCT IN ANY MANNER OTHER THAN PERSONAL USE THAT COMPLIES WITH THE MPEG-2 STANDARD FOR ENCODING VIDEO INFORMATION FOR PACKAGED MEDIA IS EXPRESSLY PROHIBITED WITHOUT A LICENSE UNDER APPLICABLE PATENTS IN THE MPEG-2 PATENT PORTFOLIO, WHICH LICENSE IS AVAILABLE FROM MPEG LA, LLC, 6312 S. Fiddlers Green Circle, Suite 400 E, Greenwood Village, Colorado 80111 U.S.A.

- THIS PRODUCT IS LICENSED UNDER THE VC-1 PATENT PORTFOLIO LICENSE FOR THE PERSONAL AND NON-COMMERCIAL USE OF A CONSUMER TO (i) ENCODE VIDEO IN COMPLIANCE WITH THE VC-1 STANDARD (“VC-1 VIDEO”) AND/OR (ii) DECODE VC-1 VIDEO THAT WAS ENCODED BY A CONSUMER ENGAGED IN A PERSONAL AND NON-COMMERCIAL ACTIVITY AND/OR WAS OBTAINED FROM A VIDEO PROVIDER LICENSED TO PROVIDE VC-1 VIDEO. NO LICENSE IS GRANTED OR SHALL BE IMPLIED FOR ANY OTHER USE. ADDITIONAL INFORMATION MAY BE OBTAINED FROM MPEG LA, L.L.C. SEE [HTTP://WWW.MPEGLA.COM](http://www.mpegla.com)
- THIS PRODUCT IS LICENSED UNDER THE AVC PATENT PORTFOLIO LICENSE FOR THE PERSONAL USE OF A CONSUMER OR OTHER USES IN WHICH IT DOES NOT RECEIVE REMUNERATION TO (i) ENCODE VIDEO IN COMPLIANCE WITH THE AVC STANDARD (“AVC VIDEO”) AND/OR (ii) DECODE AVC VIDEO THAT WAS ENCODED BY A CONSUMER ENGAGED IN A PERSONAL ACTIVITY AND/OR WAS OBTAINED FROM A VIDEO PROVIDER LICENSED TO PROVIDE AVC VIDEO. NO LICENSE IS GRANTED OR SHALL BE IMPLIED FOR ANY OTHER USE. ADDITIONAL INFORMATION MAY BE OBTAINED FROM MPEG LA, L.L.C. SEE [HTTP://WWW.MPEGLA.COM](http://www.mpegla.com)
- THIS PRODUCT IS LICENSED UNDER THE MPEG-4 VISUAL PATENT PORTFOLIO LICENSE FOR THE PERSONAL AND NON-COMMERCIAL USE OF A CONSUMER FOR (i) ENCODING VIDEO IN COMPLIANCE WITH THE MPEG-4 VISUAL STANDARD (“MPEG-4 VIDEO”) AND/OR (ii) DECODING MPEG-4 VIDEO THAT WAS ENCODED BY A CONSUMER ENGAGED IN A PERSONAL AND NON-COMMERCIAL ACTIVITY AND/OR WAS OBTAINED FROM A VIDEO PROVIDER LICENSED BY MPEG LA TO PROVIDE MPEG-4 VIDEO. NO LICENSE IS GRANTED OR SHALL BE IMPLIED FOR ANY OTHER USE. ADDITIONAL INFORMATION INCLUDING THAT RELATING TO PROMOTIONAL, INTERNAL AND COMMERCIAL USES AND LICENSING MAY BE OBTAINED FROM MPEG LA, L.L.C. SEE [HTTP://WWW.MPEGLA.COM](http://www.mpegla.com)

## Specifications

Item		Model: 4T-C50BK1X / 4T-C50BK1I	Model: 4T-C60BK1X	Model: 4T-C60CK1X
LCD panel		126 cm	153 cm	153 cm
Resolution		8,294,400 pixels (3840 x 2160)		
Video colour system		PAL/SECAM/NTSC 3.58/NTSC 4.43/PAL 60		
TV Function	TV-standard	Analogue	PAL: B/G, D/K, I SECAM: B/G, D/K, K/K1 NTSC: M	
		Digital	DVB-T / DVB-T2 / ISDB-T	
	Receiving Channel	VHF/UHF	44.25—863.25 MHz	
		CATV	S1—S41 ch (including Hyperband)	
	TV-tuning system	Auto Preset		
STEREO/BILINGUAL		NICAM: B/G, I, D/K A2 stereo: B/G MTS: M		
Audio amplifier		10 W x 2		
Terminals	ANT (Antenna input)	UHF/VHF 75 Ω DIN type		
	SERVICE ONLY	φ 3.5 mm jack		
	INPUT 1 (ARC) HDMI	HDMI (HDMI input), ARC		
	INPUT 2 HDMI	HDMI (HDMI input)		
	INPUT 3 HDMI	HDMI (HDMI input)		
	AV IN	AUDIO in, VIDEO in		
	USB 1	USB (DC5V 1.5A output)		
	USB 2	USB (DC5V 1.5A output)		
	LAN (10/100 BASE-T)	Network connector		
	DIGITAL AUDIO OUTPUT OUTPUT	Optical S/PDIF digital audio output Headphone (φ 3.5 mm stereo)		
OSD language		English/Simplified Chinese/Traditional Chinese/Hong Kong Chinese/Arabic/French/Portuguese/Russian/Persian/Thai/Vietnamese/Indonesia/Hebrew/Hindi/Malay English (Philippines only)		
Power Requirement		AC 110 — 240 V, 50/60 Hz		
Power Consumption		124 W (0.5 W Standby)	160 W (0.5 W Standby)	185 W (0.6 W Standby)
Dimensions	without stand	1122 (W) x 666 (H) x 74 (D) mm	1359 (W) x 790 (H) x 50 (D) mm	1358 (W) x 799 (H) x 83 (D) mm
	with stand	1122 (W) x 708 (H) x 253 (D) mm	1359 (W) x 852 (H) x 257 (D) mm	1358 (W) x 864 (H) x 300 (D) mm
Weight without stand (with stand)		12.0 kg (12.5 kg)	21.5 kg (22.0 kg)	17.5 kg (18.5 kg)
Operating temperature		0°C to +40°C		

- As a part of policy of continuous improvement, SHARP reserves the right to make design and specification changes for product improvement without prior notice. The performance specification figures indicated are nominal values of production units. There may be some deviations from these values in individual units.
- Specification may differ depending on the selected country.

### CAUTION

- Installing the Liquid Crystal Television requires special skill that should only be performed by qualified service personnel. Customers should not attempt to do the work themselves. SHARP bears no responsibility for improper mounting or mounting that results in accident or injury.
- Carefully read the instructions that come with the bracket before beginning work.

## Specifications

Item		Model: 4T-C70BK1X	Model: 4T-C80CL1X
LCD panel		177 cm	204 cm
Resolution		8,294,400 pixels (3840 x 2160)	
Video colour system		PAL/SECAM/NTSC 3.58/NTSC 4.43/PAL 60	
TV Function	TV-standard	Analogue	PAL: B/G, D/K, I SECAM: B/G, D/K, K/K1 NTSC: M
		Digital	DVB-T / DVB-T2 / ISDB-T
	Receiving Channel	VHF/UHF	44.25—863.25 MHz
		CATV	S1—S41 ch (including Hyperband)
	TV-tuning system	Auto Preset	
STEREO/BILINGUAL		NICAM: B/G, I, D/K A2 stereo: B/G MTS: M	
Audio amplifier		10 W x 2	
Terminals	ANT (Antenna input)	UHF/VHF 75 Ω DIN type	
	SERVICE ONLY	φ 3.5 mm jack	
	INPUT 1 (ARC) HDMI	HDMI (HDMI input), ARC	
	INPUT 2 HDMI	HDMI (HDMI input)	
	INPUT 3 HDMI	HDMI (HDMI input)	
	AV IN	AUDIO in, VIDEO in	
	USB 1	USB (DC5V 1.5A output)	
	USB 2	USB (DC5V 1.5A output)	
	LAN (10/100 BASE-T)	Network connector	
	DIGITAL AUDIO OUTPUT OUTPUT	Optical S/PDIF digital audio output Headphone (φ 3.5 mm stereo)	
OSD language		English/Simplified Chinese/Traditional Chinese/Hong Kong Chinese/Arabic/French/Portuguese/Russian/Persian/Thai/Vietnamese/ Indonesia/Hebrew/Hindi/Malay English (Philippines only)	
Power Requirement		AC 110 — 240 V, 50/60 Hz	
Power Consumption		225 W (0.5 W Standby)	374 W (0.6 W Standby)
Dimensions	without stand	1563 (W) x 904 (H) x 52 (D) mm	1816 (W) x 1055 (H) x 114 (D) mm
	with stand	1563 (W) x 978 (H) x 334 (D) mm	1816 (W) x 1091 (H) x 455 (D) mm
Weight without stand (with stand)		31.5 kg (32.5 kg)	52.5 kg (55.5 kg)
Operating temperature		0°C to +40°C	

- As a part of policy of continuous improvement, SHARP reserves the right to make design and specification changes for product improvement without prior notice. The performance specification figures indicated are nominal values of production units. There may be some deviations from these values in individual units.
- Specification may differ depending on the selected country.

### CAUTION

- Installing the Liquid Crystal Television requires special skill that should only be performed by qualified service personnel. Customers should not attempt to do the work themselves. SHARP bears no responsibility for improper mounting or mounting that results in accident or injury.
- Carefully read the instructions that come with the bracket before beginning work.



## Specifications (Taiwan only)

Item		Model: 4T-C50BJ1T/3T	Model: 4T-C60BJ1T/3T/5T	Model: 4T-C70BJ1T/3T/5T
LCD panel		126 cm	153 cm	177 cm
Resolution		8,294,400 pixels (3840 x 2160), 60 Hz		
Audio amplifier		10 W x 2		
Terminals	僅供售後服務使用 (SERVICE ONLY)	φ 3.5 mm jack		
	輸入 1 (INPUT 1) (ARC) HDMI	HDMI (HDMI input), ARC		
	輸入 2 (INPUT 2) HDMI	HDMI (HDMI input)		
	輸入 3 (INPUT 3) HDMI	HDMI (HDMI input)		
	影音輸入 (AV IN)	AUDIO in, VIDEO in		
	USB 1	USB (DC5V 1.5A output)		
	USB 2	USB (DC5V 1.5A output)		
	乙太網路 LAN (10/100 BASE-T)	Network connector		
	數位聲音輸出 SPDIF (DIGITAL AUDIO OUTPUT)	Optical S/PDIF digital audio output		
輸出 (OUTPUT)	Headphone (φ 3.5 mm stereo)			
OSD language		English/Simplified Chinese/Traditional Chinese/Hong Kong Chinese/Arabic/French/Portuguese/Russian/Persian/Thai/Vietnamese/Indonesia/Hebrew/Hindi/Malay		
Power Requirement		AC 110 V, 60 Hz		
Power Consumption		100 W (0.5 W Standby)	200 W (0.5 W Standby)	240 W (0.5 W Standby)
Dimensions	without stand	1124.5 (W) x 651.7 (H) x 67.4 (D) mm	1357.5 (W) x 783.2 (H) x 76.5 (D) mm	1564.1 (W) x 899.8 (H) x 71.7 (D) mm
	with stand	1124.5 (W) x 699.6 (H) x 227 (D) mm	4T-C60BJ1T/3T 1357.5 (W) x 839.3 (H) x 279.9 (D) mm 4T-C60BJ5T 1357.5 (W) x 853.6 (H) x 256.8 (D) mm	4T-C70BJ1T/3T 1564.1 (W) x 966.2 (H) x 326.1 (D) mm 4T-C70BJ5T 1564.1 (W) x 987.2 (H) x 334.0 (D) mm
Weight without stand (with stand)		11.5 kg (11.8 kg)	17.1 kg (17.7 kg)	26.3 kg (27.3 kg)
Operating temperature		0°C to +40°C		

- As a part of policy of continuous improvement, SHARP reserves the right to make design and specification changes for product improvement without prior notice. The performance specification figures indicated are nominal values of production units. There may be some deviations from these values in individual units.
- Specification may differ depending on the selected country.

**CAUTION**

- Installing the Liquid Crystal Television requires special skill that should only be performed by qualified service personnel. Customers should not attempt to do the work themselves. SHARP bears no responsibility for improper mounting or mounting that results in accident or injury.
- Carefully read the instructions that come with the bracket before beginning work.

## Specifications (Taiwan only) (Continue)

Item		Model: 4T-C60BK1T	Model: 4T-C70BK1T	Model: 4T-C80CL1X
LCD panel		153 cm	177 cm	204 cm
Resolution		8,294,400 pixels (3840 x 2160), 60 Hz		
Audio amplifier		10 W x 2		
Terminals	僅供售後服務使用 (SERVICE ONLY)	φ 3.5 mm jack		
	輸入 1 (INPUT 1) (ARC) HDMI	HDMI (HDMI input), ARC		
	輸入 2 (INPUT 2) HDMI	HDMI (HDMI input)		
	輸入 3 (INPUT 3) HDMI	HDMI (HDMI input)		
	影音輸入 (AV IN)	AUDIO in, VIDEO in		
	USB	USB (DC5V 1.5A output)		
	乙太網路 LAN (10/100 BASE-T)	Network connector		
	數位聲音輸出 (DIGITAL AUDIO OUTPUT)	Optical S/PDIF digital audio output		
輸出 (OUTPUT)	Headphone (φ 3.5 mm stereo)			
OSD language		English/Simplified Chinese/Traditional Chinese/Hong Kong Chinese/Arabic/French/Portuguese/Russian/Persian/Thai/Vietnamese/Indonesia/Hebrew/Hindi/Malay		
Power Requirement		AC 110 V, 60 Hz		
Power Consumption		160 W (0.5 W Standby)	225 W (0.5 W Standby)	374 W (0.6 W Standby)
Dimensions	without stand	1359 (W) x 790 (H) x 50 (D) mm	1563 (W) x 904 (H) x 52 (D) mm	1816 (W) x 1055 (H) x 114 (D) mm
	with stand	1359 (W) x 852 (H) x 257 (D) mm	1563 (W) x 978 (H) x 334 (D) mm	1816 (W) x 1091 (H) x 455 (D) mm
Weight without stand (with stand)		21.5 kg (22.0 kg)	31.5 kg (32.5 kg)	52.5 kg (55.5 kg)
Operating temperature		0°C to +40°C		

- As a part of policy of continuous improvement, SHARP reserves the right to make design and specification changes for product improvement without prior notice. The performance specification figures indicated are nominal values of production units. There may be some deviations from these values in individual units.
- Specification may differ depending on the selected country.

**CAUTION**

- Installing the Liquid Crystal Television requires special skill that should only be performed by qualified service personnel. Customers should not attempt to do the work themselves. SHARP bears no responsibility for improper mounting or mounting that results in accident or injury.
- Carefully read the instructions that come with the bracket before beginning work.

Specifications (Hong Kong only)

Item		Model: 4T-C50BK1X	Model: 4T-C60BK1X	Model: 4T-C70BK1X	
LCD panel		126 cm	153 cm	177 cm	
Resolution		8,294,400 pixels (3840 x 2160)			
Video colour system		PAL/SECAM/NTSC 3.58/NTSC 4.43/PAL 60			
TV Function	TV-standard	Analogue	PAL: B/G, D/K, I SECAM: B/G, D/K, K/K1 NTSC		
		Digital	DTMB		
	Receiving Channel	VHF/UHF	44.25—863.25 MHz		
		CATV	S1—S41 ch (including Hyperband)		
	TV-tuning system	Auto Preset			
STEREO/BILINGUAL		NICAM: B/G, I, D/K A2 stereo: B/G MTS: M			
Audio amplifier		10 W x 2			
Terminals	ANT (Antenna input)	Analogue	UHF/VHF 75 Ω DIN type		
		Digital			
	SERVICE ONLY		φ 3.5 mm jack		
	INPUT 1 (ARC) HDMI		HDMI (HDMI input), ARC		
	INPUT 2 HDMI		HDMI (HDMI input)		
	AV IN		AUDIO in, VIDEO in		
	USB 1		USB (DC5V 0.5A output)		
	USB 2		USB (DC5V 1.5A output)		
	LAN (10/100 BASE-T)		Network connector		
	DIGITAL AUDIO OUTPUT		Optical S/PDIF digital audio output		
OUTPUT		Headphone (φ 3.5 mm stereo)			
OSD language		English/Simplified Chinese/Traditional Chinese/Hong Kong Chinese/Arabic/French/Portuguese/Russian/Persian/Thai/Vietnamese/Indonesia/Hebrew/Hindi/Malay			
		English/Simplified Chinese/Traditional Chinese (For DTV-HK)			
Power Requirement		AC 110 — 240 V, 50/60 Hz			
Power Consumption		124 W (0.5 W Standby)	160 W (0.5 W Standby)	225 W (0.5 W Standby)	
Dimensions	without stand	1122 (W) x 666 (H) x 74 (D) mm	1359 (W) x 790 (H) x 50 (D) mm	1563 (W) x 904 (H) x 52 (D) mm	
	with stand	1122 (W) x 708 (H) x 253 (D) mm	1359 (W) x 852 (H) x 257 (D) mm	1563 (W) x 978 (H) x 334 (D) mm	
Weight without stand (with stand)		12.0 kg (12.5 kg)	21.5 kg (22.0 kg)	31.5 kg (32.5 kg)	
Operating temperature		0°C to +40°C			

- As a part of policy of continuous improvement, SHARP reserves the right to make design and specification changes for product improvement without prior notice. The performance specification figures indicated are nominal values of production units. There may be some deviations from these values in individual units.
- Specification may differ depending on the selected country.

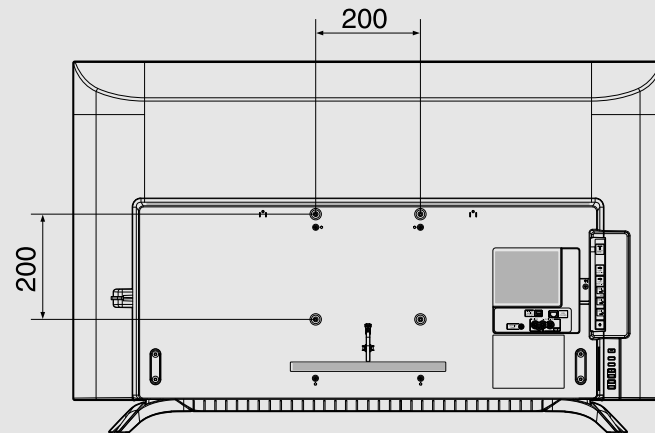
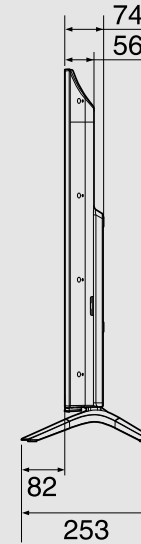
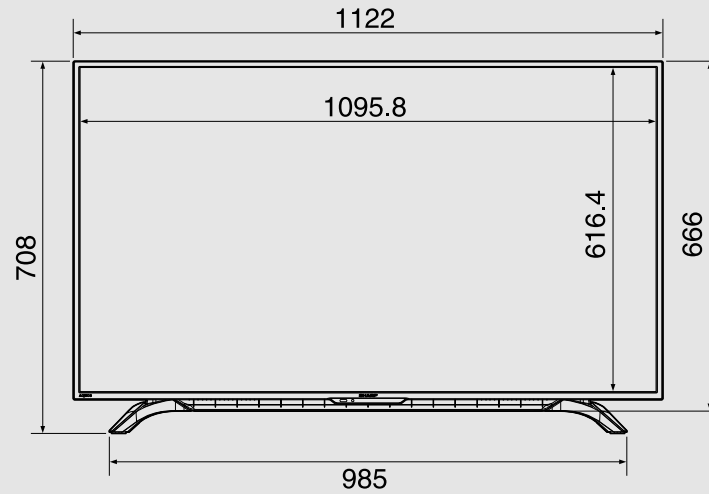
**CAUTION**

- Installing the Liquid Crystal Television requires special skill that should only be performed by qualified service personnel. Customers should not attempt to do the work themselves. SHARP bears no responsibility for improper mounting or mounting that results in accident or injury.
- Carefully read the instructions that come with the bracket before beginning work.

Dimensional Drawings

4T-C50BK1X / 4T-C50BK1I

Unit: mm

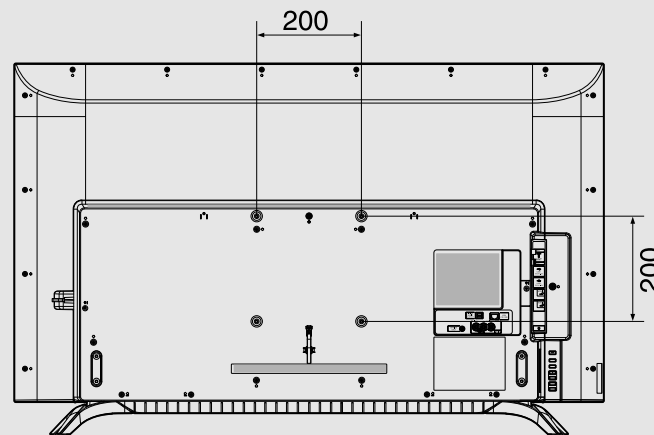
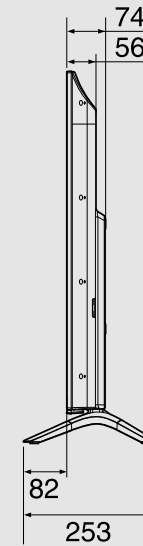
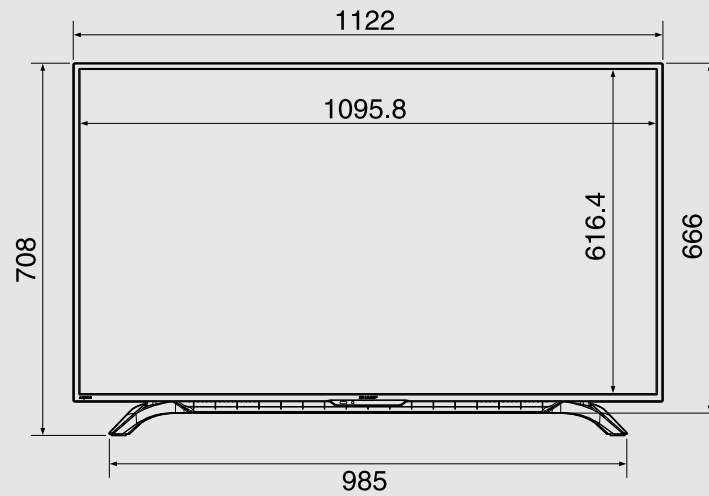


EN 8-9

Dimensional Drawings (Continue)

4T-C50BK1X (Hong Kong only)

Unit: mm

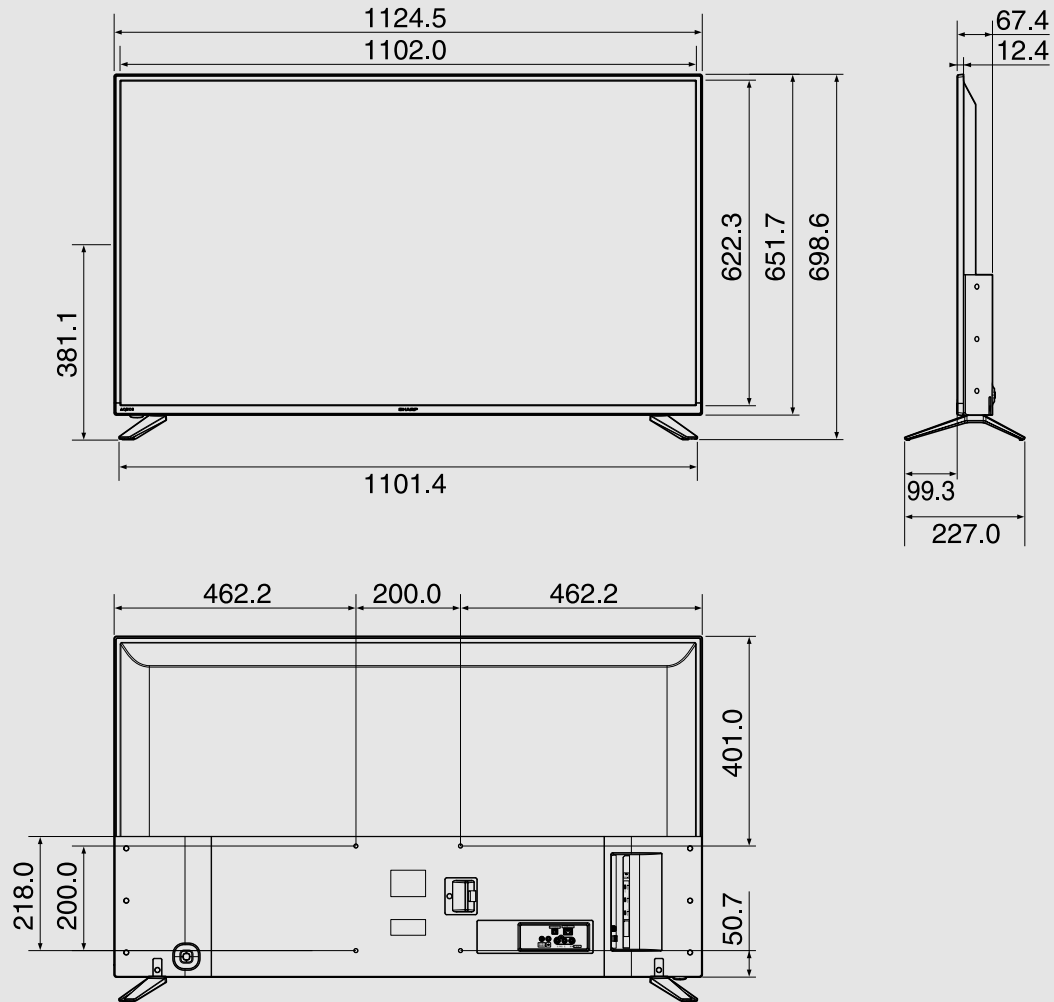


EN 8-10

Dimensional Drawings (Continue)

4T-C50BJ1T/3T (Taiwan only)

Unit: mm

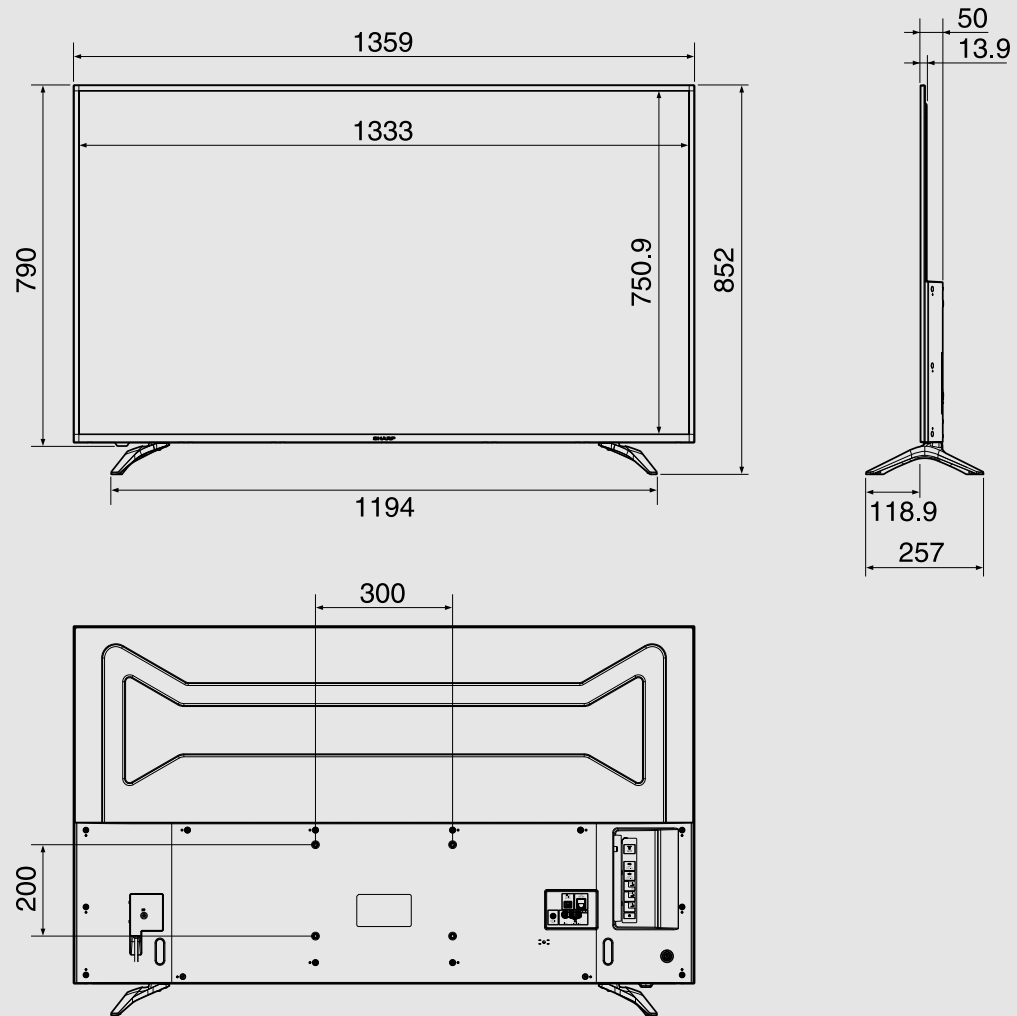


EN 8-11

Dimensional Drawings (Continue)

4T-C60BK1X

Unit: mm

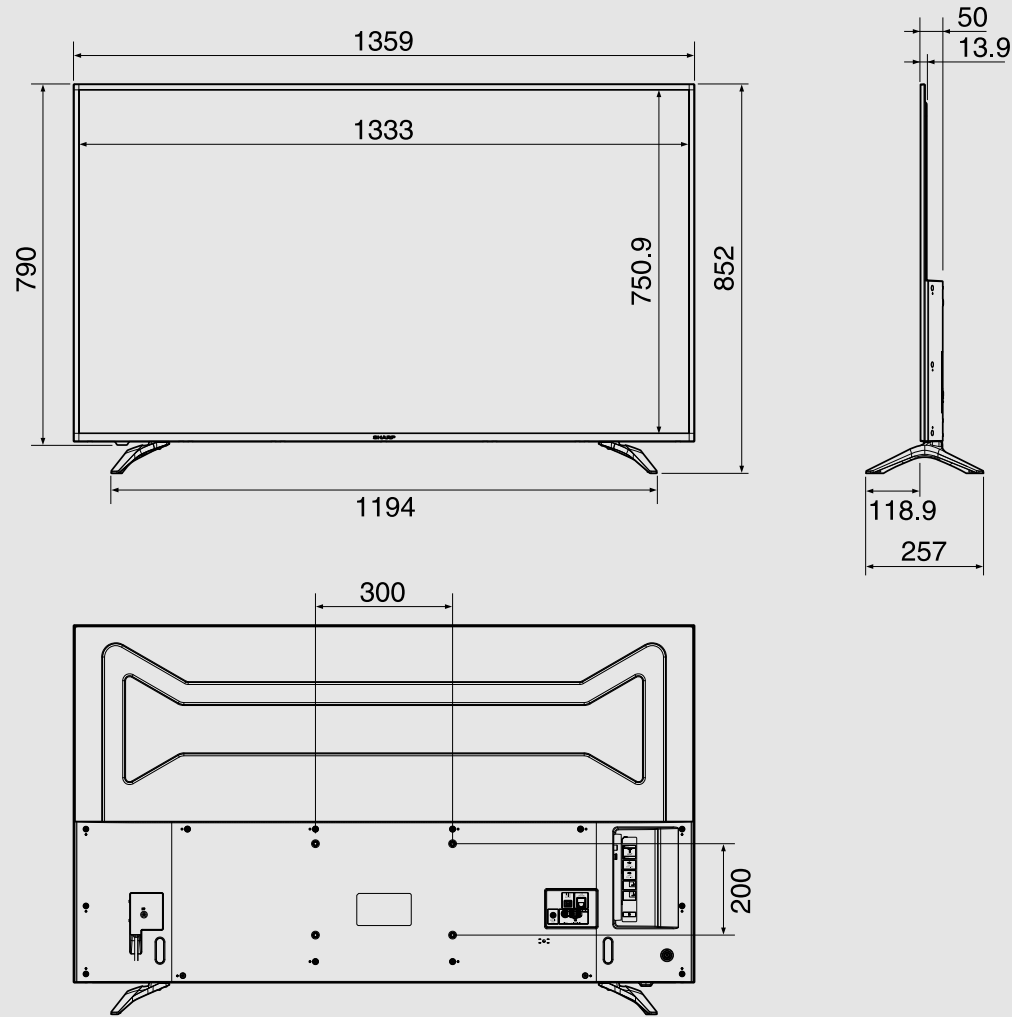


EN 8-12

Dimensional Drawings (Continue)

4T-C60BK1X (Hong Kong only)

Unit: mm



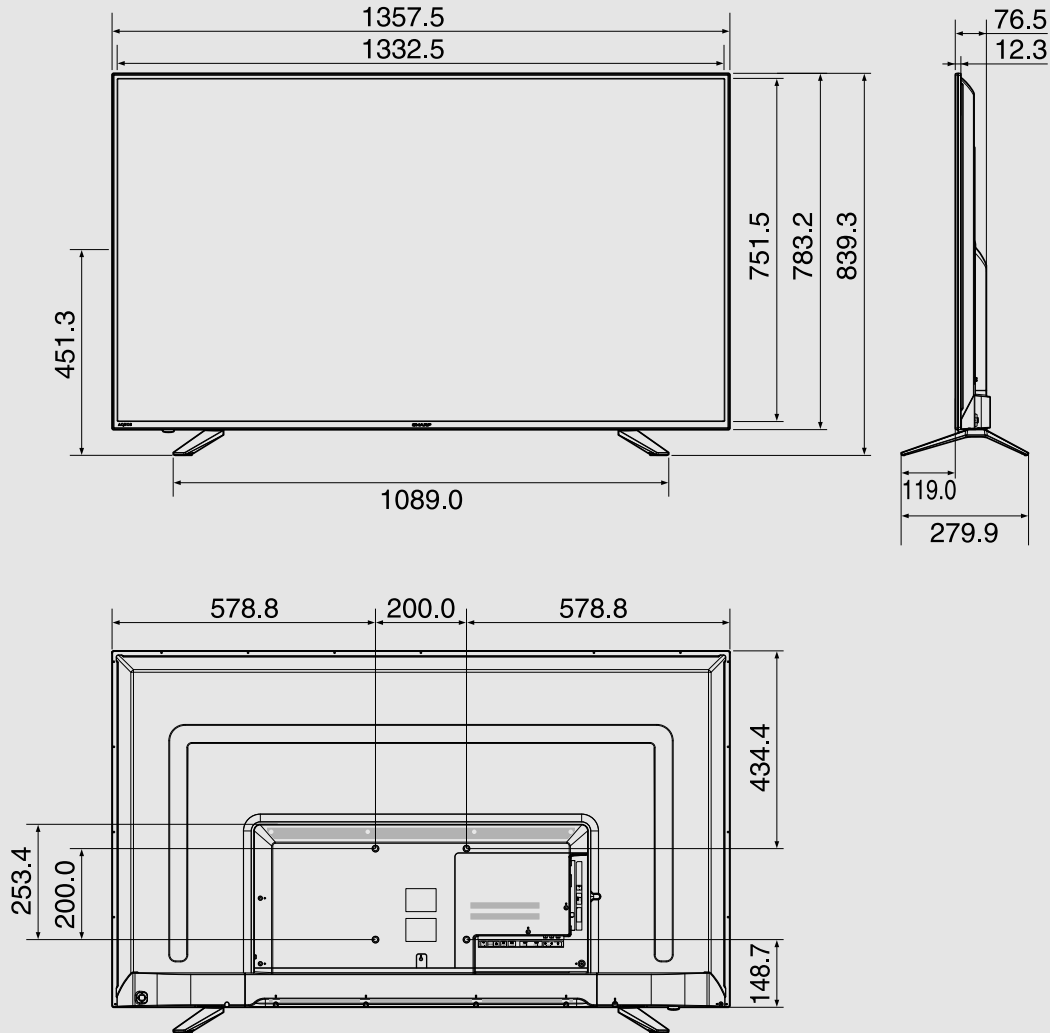
EN 8-13



Dimensional Drawings (Continue)

4T-C60BJ1T/3T/5T (Taiwan only)

Unit: mm

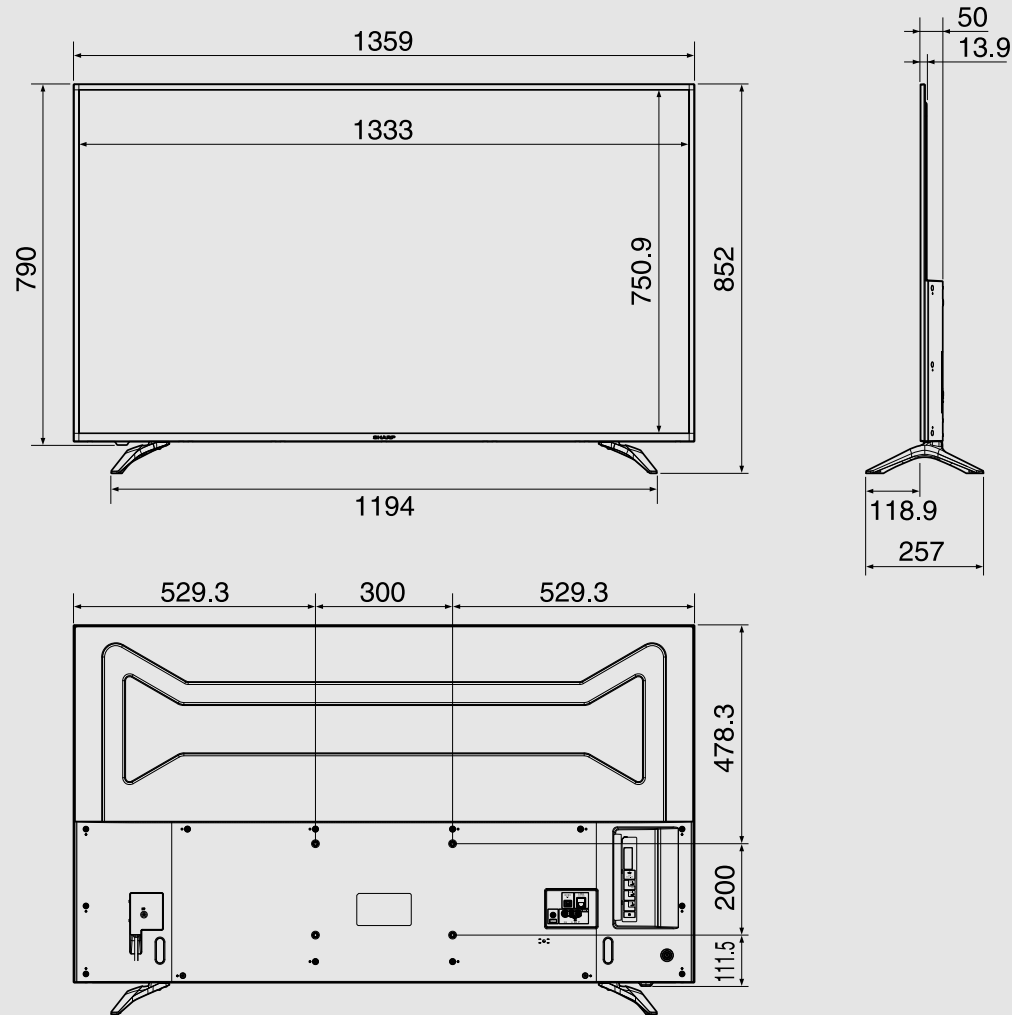


EN 8-14

Dimensional Drawings (Continue)

4T-C60BK1T (Taiwan only)

Unit: mm

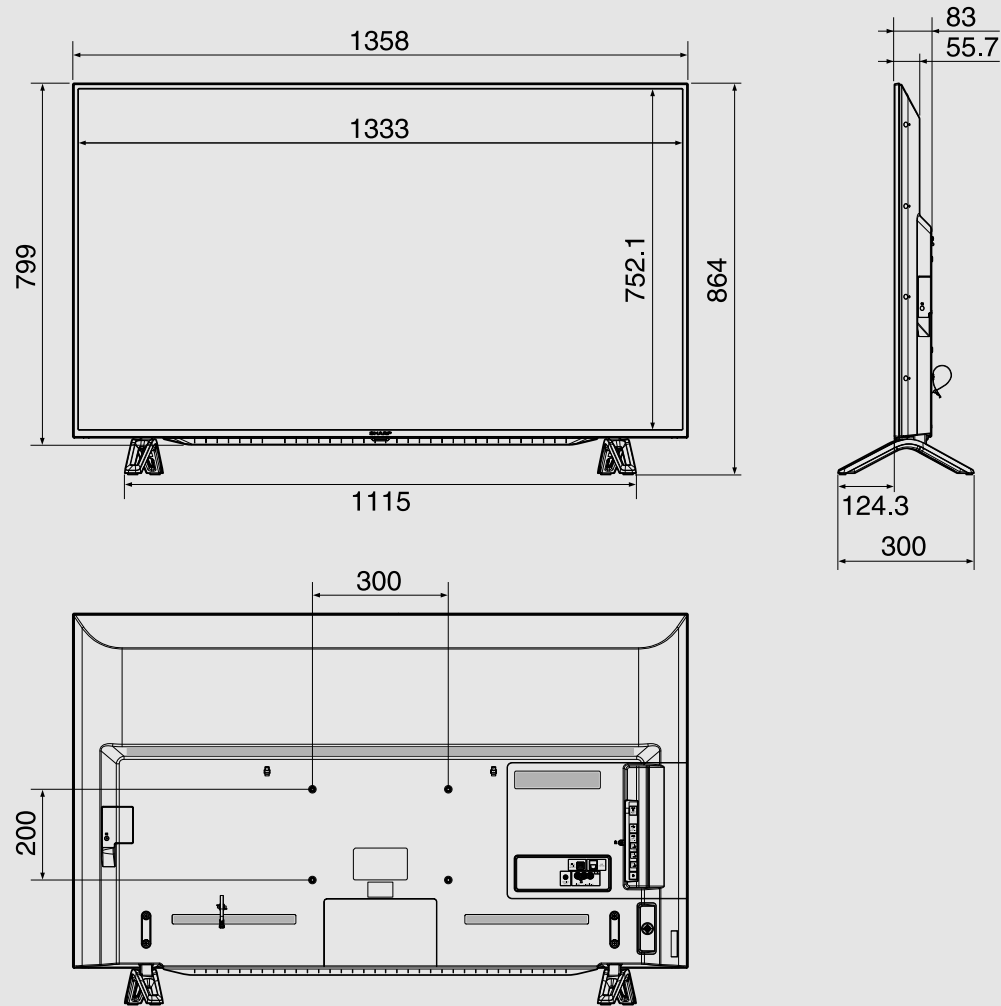


EN 8-15

Dimensional Drawings

4T-C60CK1X

Unit: mm

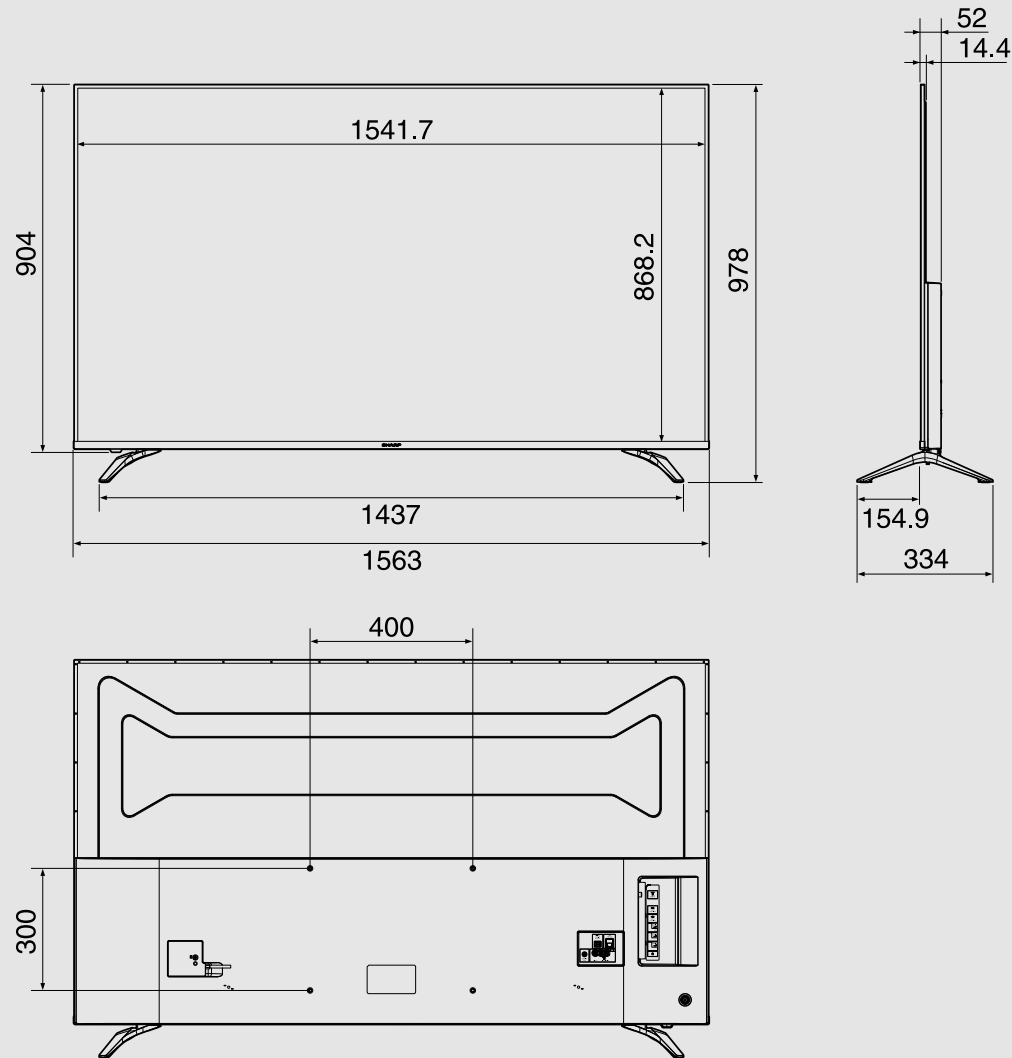


EN 8-16

Dimensional Drawings (Continue)

4T-C70BK1X

Unit: mm

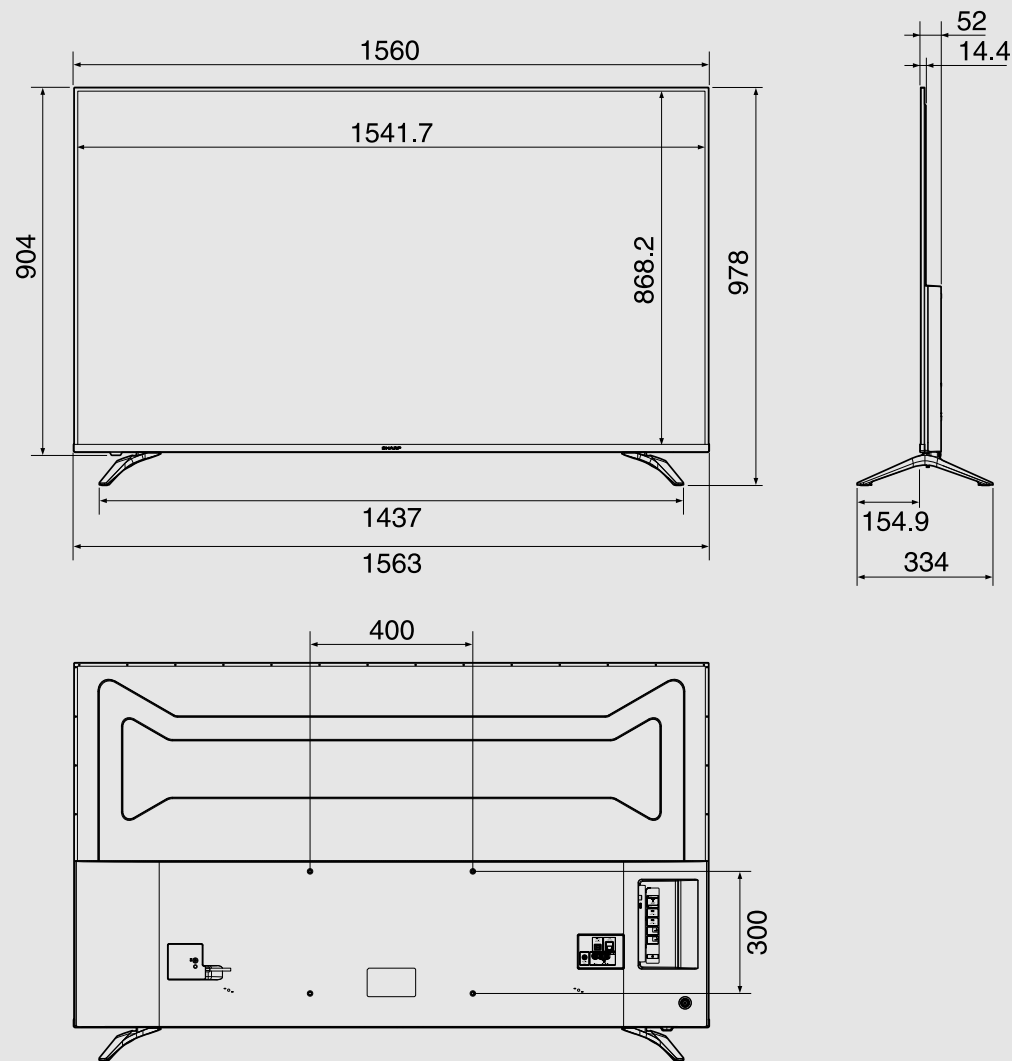


EN 8-17

Dimensional Drawings (Continue)

4T-C70BK1X (Hong Kong only)

Unit: mm

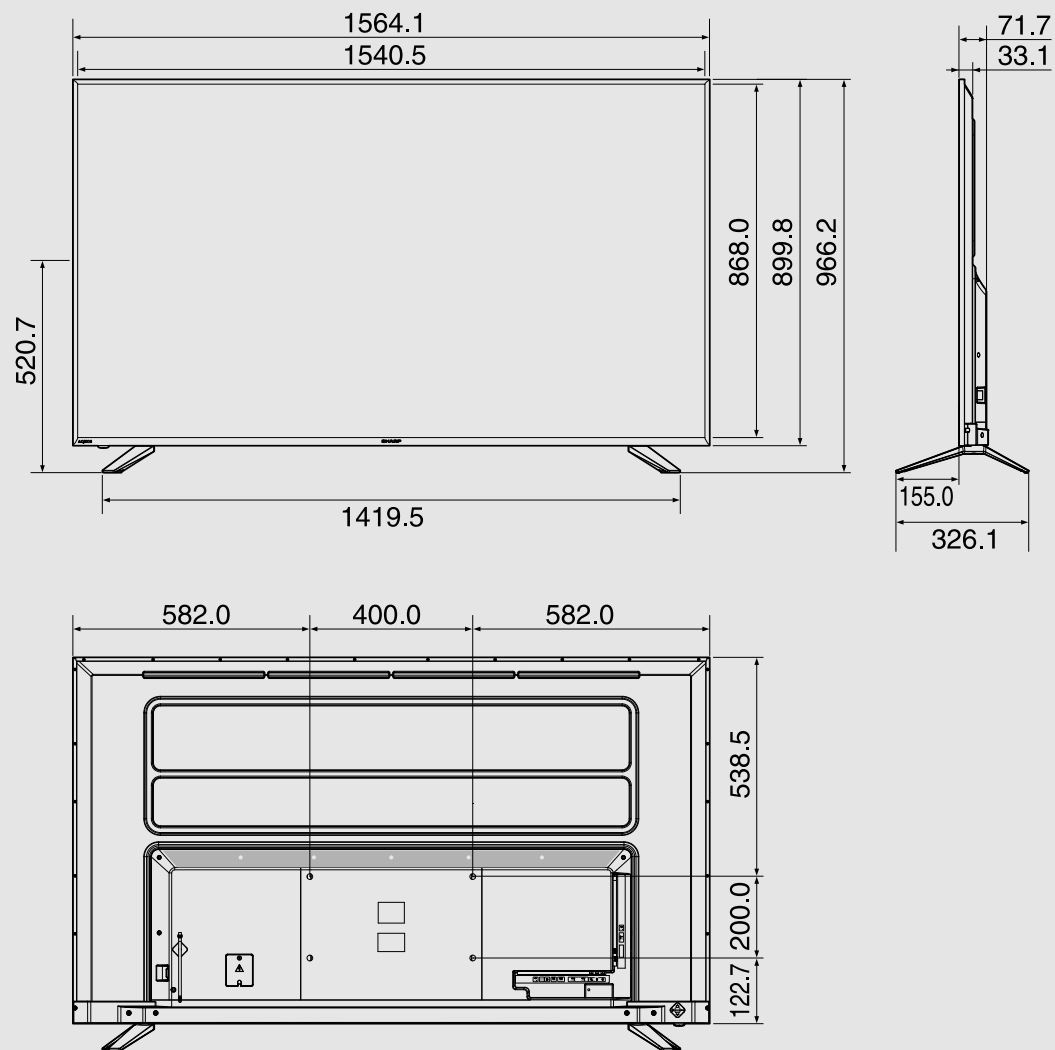


EN 8-18

Dimensional Drawings (Continue)

4T-C70BJ1T/3T/5T (Taiwan only)

Unit: mm

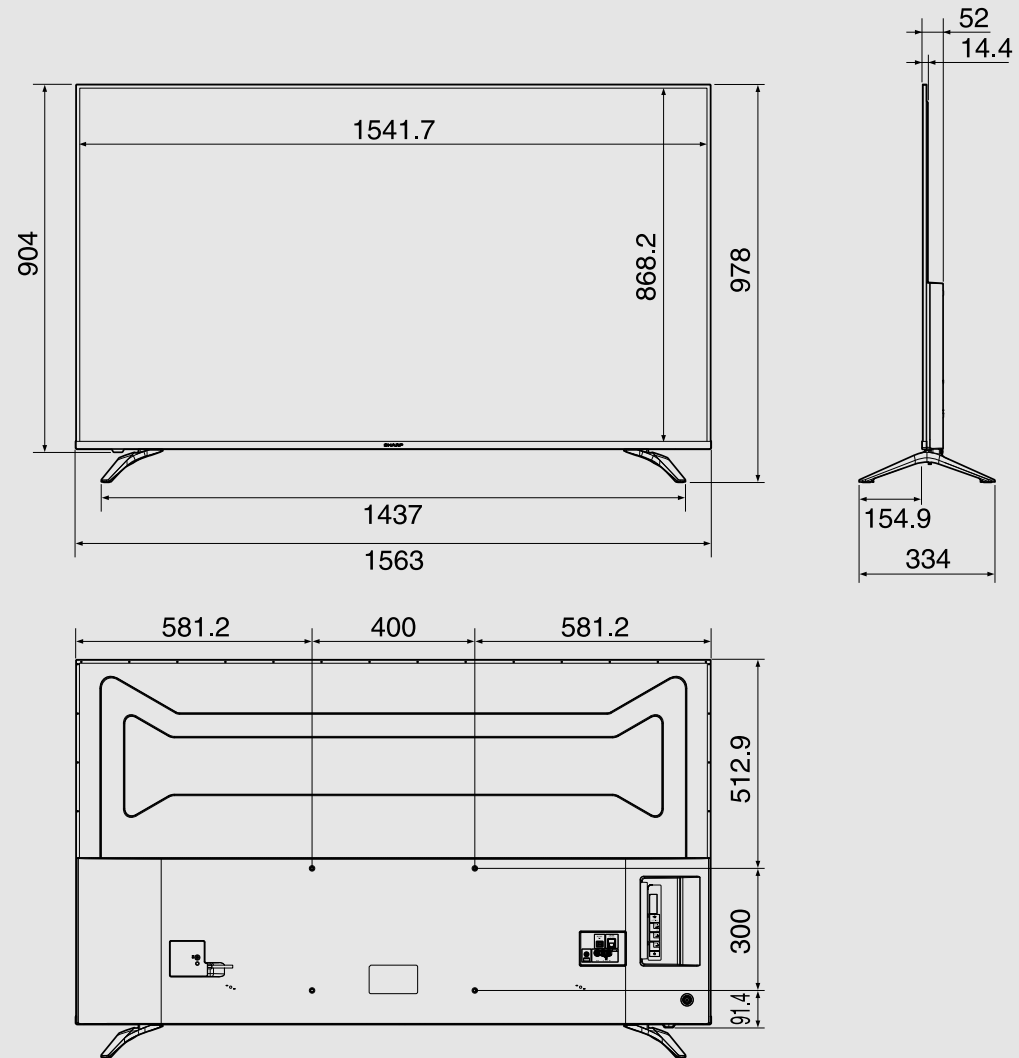


EN 8-19

Dimensional Drawings (Continue)

4T-C70BK1T (Taiwan only)

Unit: mm

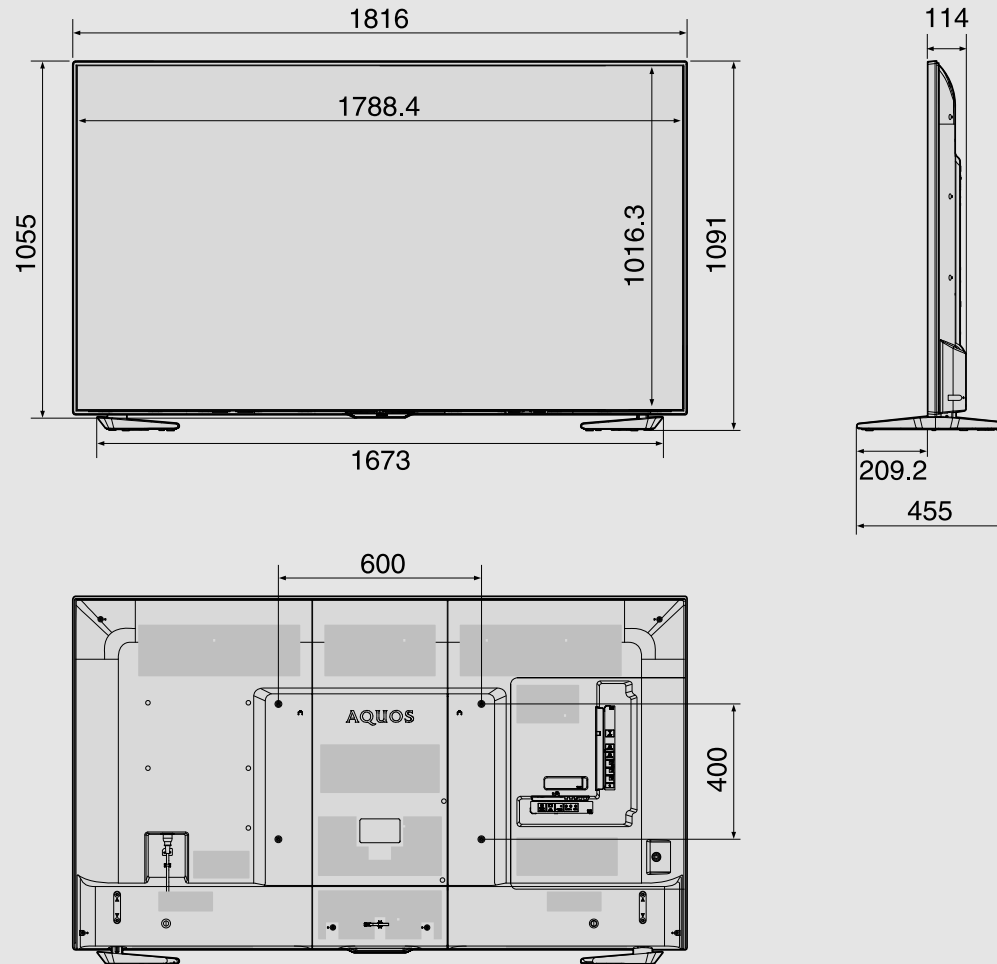


EN 8-20

Dimensional Drawings (Continue)

4T-C80CL1X

Unit: mm



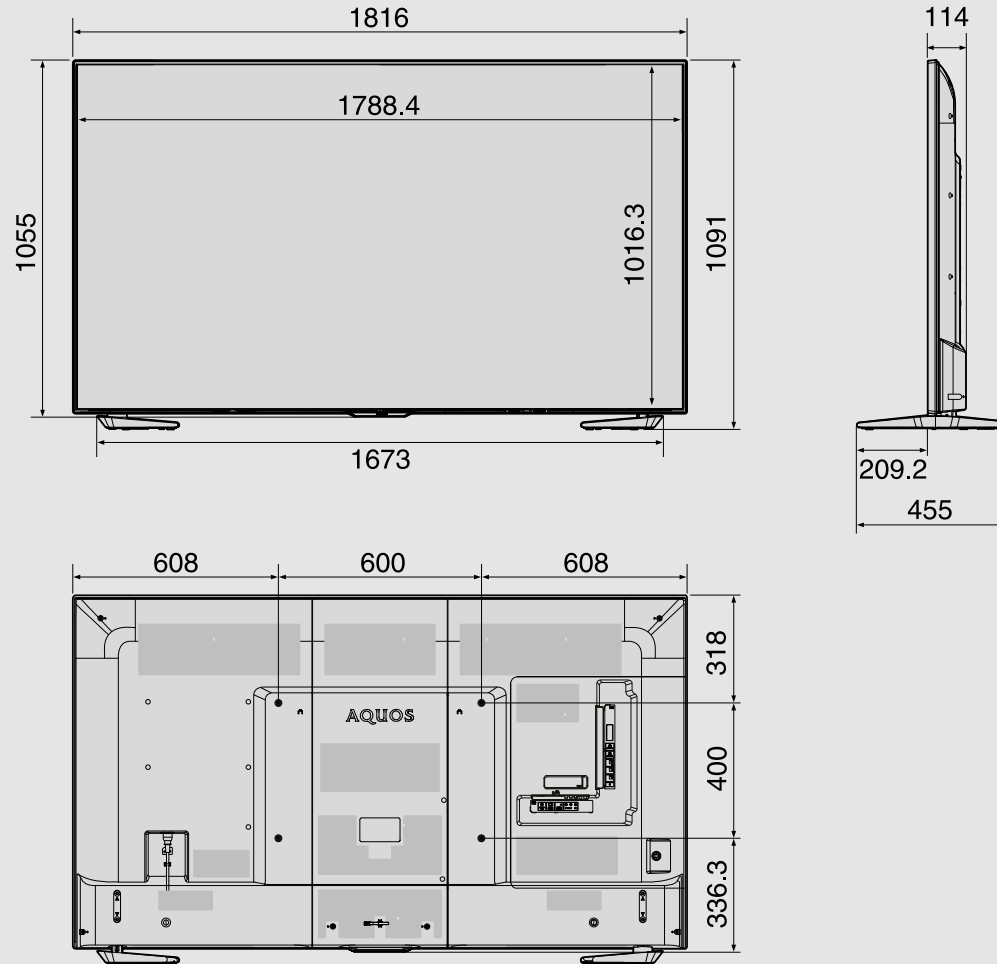
EN 8-21



Dimensional Drawings (Continue)

4T-C80CL1X (Taiwan only)

Unit: mm



EN 8-22



# SHARP

SHARP CORPORATION