

## Usher in a new era of sustainability

31  
PPM



smart business partner

### Space-saving Design

With its small footprint\*<sup>1</sup> of 410 × 410 mm, this MFP will easily find a niche in your SOHO or larger office. Simply place it on a desk, under a counter, or anywhere that space is limited.

### Blends into Office Space

The light grey colour of the MFP harmonises with Sharp's higher-end models, which usually stand by a wall. The calming hue complements any office atmosphere and allows the MFP to blend in seamlessly when it's placed next to a desk.

### 4.0-inch Colour LCD Touchscreen

Operating the MFP is easy and intuitive with the 4.0-inch colour LCD touchscreen. The control panel can be tilted freely at various angles.

### Efficient DSPF

The DSPF (duplex single pass feeder) scans both pages of two-sided documents in one pass—in batches of up to 50 sheets. With scanning speeds of up to 40 opm\*<sup>2</sup> in colour and 60 opm\*<sup>2</sup> in black-and-white (both two-sided), the MFP is quick to finish even large jobs.

### Ample Paper Capacity

A 250-sheet tray and a 50-sheet multi-bypass tray come standard. An optional 500-sheet paper feed unit is available for a total paper capacity of 800 sheets.

### Easy Document Retrieval

Printouts, copies, and faxes are output at the front of the MFP, making them easy to retrieve.

### Less CO<sub>2</sub> Emissions

Sharp's eco-friendly approach to manufacturing reduces CO<sub>2</sub> emissions during the MFP's lifecycle. A smaller, lighter MFP design means fewer parts and less CO<sub>2</sub> in production. And low-temperature fusing brings best-in-class power consumption and less CO<sub>2</sub> during use.

### Saves on Resources

Recycled plastic makes up approximately 50% of the total plastic used in the MFP's main body. Using less new material helps to reduce the environmental impact of manufacturing. Plastic waste is further reduced by using recyclable corrugated cardboard and other such eco-friendly paper materials instead of polystyrene foam for the packaging.

### Link Mobile Devices

Mobile devices installed with the Sharpdesk Mobile app\*<sup>3</sup> can connect directly to the MFP for printing or downloading scanned data. The MFP can also be equipped with the Sharp Print Service Plugin.

### Wireless LAN Connection

Built-in wireless connectivity enables easy access from mobile devices and flexible MFP placement. The MFP also supports Wi-Fi Direct® and Wi-Fi Protected Setup™.

### Solid Security

A range of security features help to keep your information safe, whether it's on the MFP or over your network. These include data encryption/erasure, TLS 1.3 support, and user authentication via IC cards\*<sup>4</sup>.

\*1: "Footprint" refers to the part directly adjacent to the floor or desk space. The numerical value is for the MFP's base unit only.

\*2: Originals per minute; when feeding A4 (8 1/2" x 11") sheets in scan mode.

\*3: Availability varies by country/region.

\*4: IC card authentication requires a third-party card reader.

## SPECIFICATIONS

### General

Type	Desktop
Engine speed	A4 (8 1/2" x 11") <sup>*1</sup> : Max. 31 ppm
Control panel display	4.0-inch colour LCD touchscreen
Paper size	Max. A4 (8 1/2" x 11"), min. A6 (5 1/2" x 8 1/2")
Paper capacity (80 g/m <sup>2</sup> )	Standard: 300 sheets (250-sheet tray and 50-sheet multi-bypass tray) Maximum: 800 sheets (300 sheets & optional 500-sheet paper feed unit)
Paper weight	Tray 1: 60 g/m <sup>2</sup> to 176 g/m <sup>2</sup> (16 lbs bond to 65 lbs cover) Tray 2: (BP-CS13): 60 g/m <sup>2</sup> to 200 g/m <sup>2</sup> (16 lbs bond to 110 lbs index) Multi-bypass tray: 60 g/m <sup>2</sup> to 200 g/m <sup>2</sup> (16 lbs bond to 110 lbs index)
Warm-up time <sup>*2</sup>	33 sec.
Memory	2 GB (copy/print shared) 16 GB eMMC
Power requirements	Rated local AC voltage ±10%, 50/60 Hz
Power consumption	Max. 1.15 kW (220 V to 240 V)
Dimensions (W x D x H) <sup>*3</sup>	410 x 410 x 399 mm (16 5/32" x 16 5/32" x 15 23/32")
Weight (approx.)	22 kg (48.6 lbs)

### Copier

Original paper size	Max. A4 (8 1/2" x 11")
First copy time <sup>*4</sup>	Colour: 7.2 sec. B/W: 6.0 sec.
Continuous copy	Max. 999 copies
Resolution	Scan: 600 x 600 dpi, 600 x 400 dpi <sup>*5</sup> , 600 x 300 dpi <sup>*6</sup> Print: 600 x 600 dpi
Gradation	Equivalent to 256 levels
Zoom range	25% to 400% (25% to 200% using DSPF) in 1% increments
Preset copy ratios	Metric: 10 ratios (5R/5E), inch: 7 ratios (4R/3E)

### Scanner

Scan method	Push scan (via control panel) Pull scan (TWAIN-compliant application)
Scan speed <sup>*7</sup>	[One-sided] Colour: Max. 20 originals/min. B/W: Max. 30 originals/min. [Two-sided] Colour: Max. 40 originals/min. B/W: Max. 60 originals/min.
Resolution	Push scan: 100, 150, 200, 300, 400, 600 dpi Pull scan: 75, 100, 150, 200, 300, 400, 600 dpi 50 dpi to 9,600 dpi via user setting <sup>*8</sup>
File formats	TIFF, PDF, JPEG <sup>*9</sup>
Scan destinations	Email/desktop <sup>*10</sup> /FTP server/network folder (SMB)/USB drive

### Printer

Resolution	600 x 600 dpi
Interface	USB 2.0 (host, high-speed), 10Base-T/100Base-TX/1000Base-T, wireless LAN (IEEE 802.11 a/b/g/n/ac)
Supported OS	Windows Server 2016, Windows Server 2019, Windows Server 2022, Windows 10, Windows 11, Mac OS 10.10, 10.11, 10.12, 10.13, 10.14, 10.15, 11, 12, 13, 14
Network protocols	TCP/IP
Printing protocols	LPR, Raw TCP (port 9100), FTP for downloading print files, IPP, WSD
PDL	PCL 6 emulation, PostScript 3 emulation
Available fonts	80 fonts for PCL, 136 fonts for PostScript 3 emulation

### Facsimile

Compression method	MH/MR/MMR/JBIG
Communication protocol	Super G3/G3
Transmission time	Less than 3 seconds <sup>*11</sup>
Modem speed	33,600 bps to 2,400 bps with automatic fallback
Transmission resolution	From Standard (203.2 x 97.8 dpi) to Ultra Fine (406.4 x 391 dpi)
Recording size	A4 to A5 (8 1/2" x 11" to 5 1/2" x 8 1/2")
Memory	64 MB (built-in)
Greyscale levels	Equivalent to 256 levels

<sup>\*1</sup>: Short-edge feeding.

<sup>\*2</sup>: In a standard measurement environment. May vary depending on operating conditions and environment.

<sup>\*3</sup>: Including protuberances.

<sup>\*4</sup>: Short-edge feeding of A4 (8 1/2" x 11") sheets from paper tray, using document glass, MFP in fully ready condition. May vary depending on operating conditions and environment.

<sup>\*5</sup>: Not available when using DSPF.

<sup>\*6</sup>: Not available when using document glass.

<sup>\*7</sup>: Based on Sharp's A4 standard chart, using document feeder, short-edge feeding, and factory default settings. Scan speed will vary depending on the type of document and the scan settings.

<sup>\*8</sup>: Resolution will vary depending on the size of the scanned area.

<sup>\*9</sup>: Colour/greyscale only.

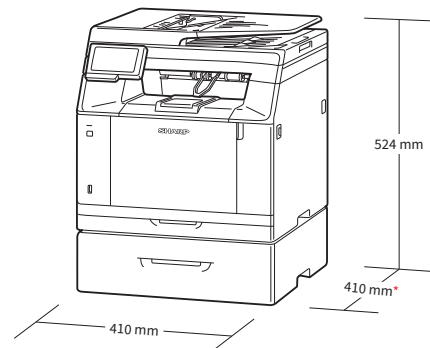
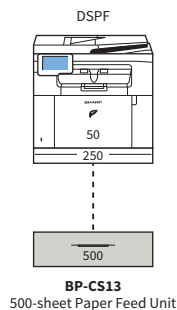
<sup>\*10</sup>: Requires Network Scanner Tool Lite.

<sup>\*11</sup>: Based on Sharp's standard chart with approx. 700 characters (A4 or 8 1/2" x 11" short-edge feeding) at standard resolution in Super G3 mode, 33,600 bps, JBIG compression.

• Design and specifications are subject to change without prior notice.

• Mac is a trademark of Apple Inc., registered in the US and other countries. Wi-Fi Direct is a registered trademark of Wi-Fi Alliance®. Wi-Fi Protected Setup is a trademark of Wi-Fi Alliance®. Windows and Windows Server are trademarks of the Microsoft group of companies. PostScript is either a registered trademark or trademark of Adobe in the US and/or other countries. All other brand names and product names may be trademarks or registered trademarks of their respective owners.

### SYSTEM CONFIGURATION



Shown with optional equipment.

Distributed by:

# SHARP